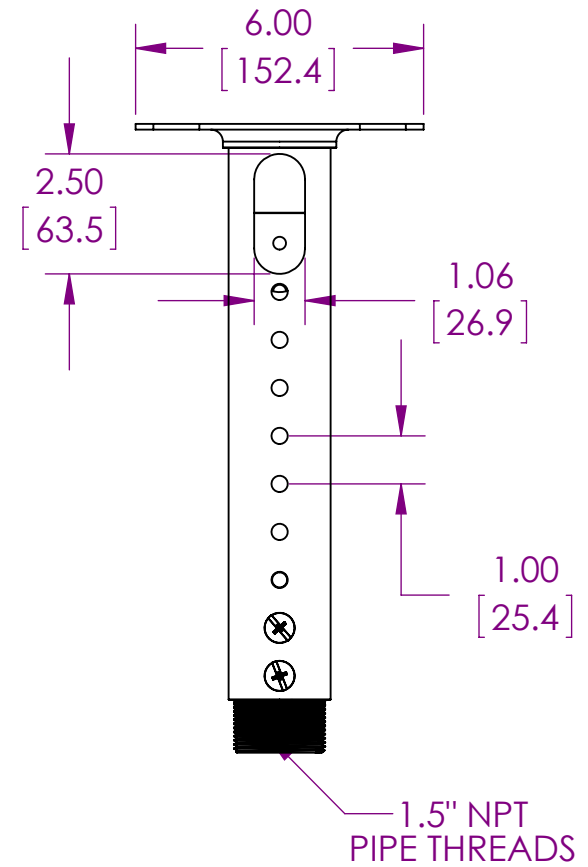
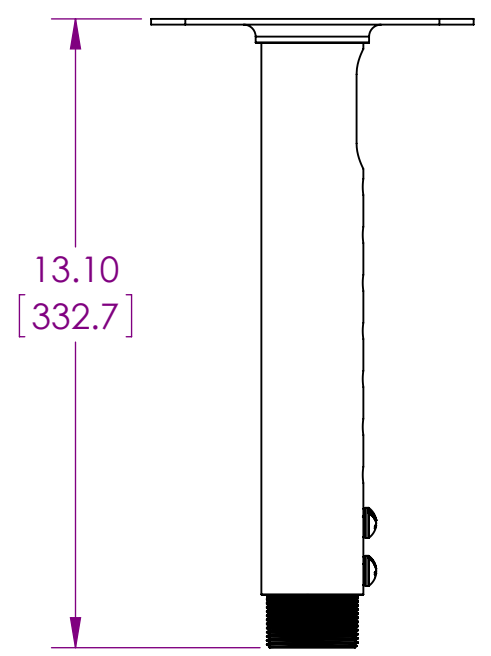
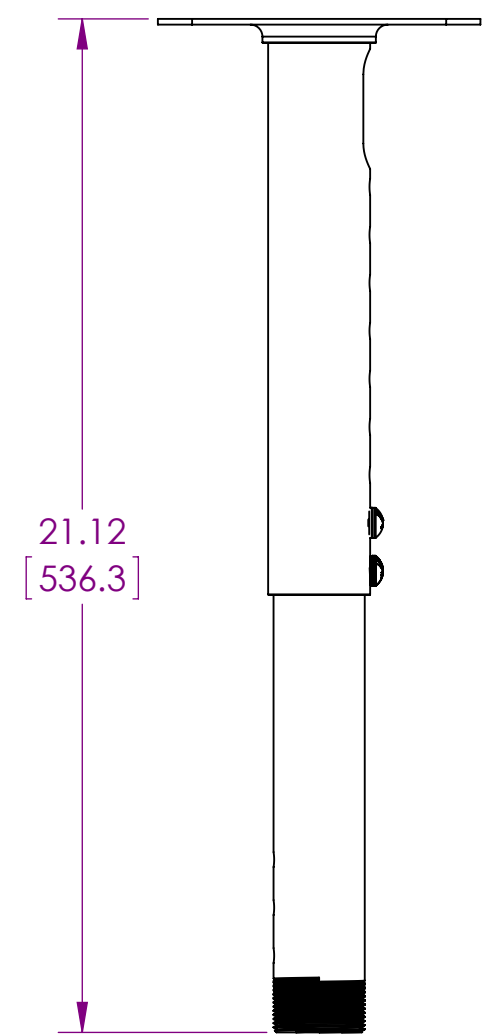
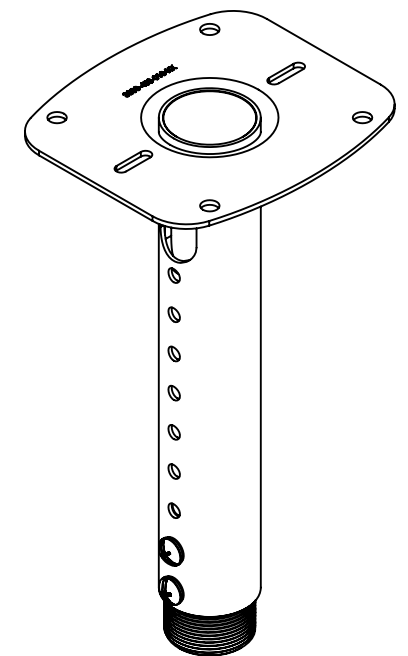
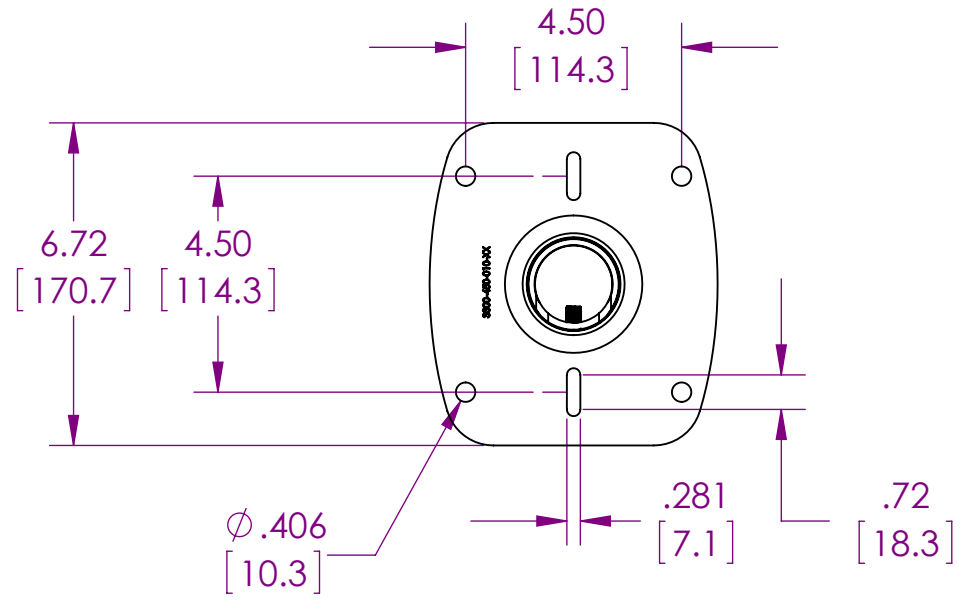


THE INFORMATION CONTAINED IN THIS DRAWING IS THE SOLE PROPERTY OF PREMIER MOUNTS DIVISION OF <PMPI> ANY REPRODUCTION IN PART OR WHOLE WITHOUT THE WRITTEN PERMISSION OF PREMIER MOUNTS DIVISION OF <PMPI> IS PROHIBITED.

Touchboards

205 Westwood Ave, Long Branch, NJ 07740
 Phone: 866-94 BOARDS (26273) / (732)-222-1511
 Fax: (732)-222-7088 | E-mail: sales@touchboards.com



MOUNTS.COM

WEIGHT CAPACITY: 500 LBS
 DIMENSION ARE IN INCH AND [MM]

PREMIER MOUNTS
 THE ORIGINAL MOUNT COMPANY
 1321 South State College Blvd
 Fullerton Ca, 92831
 P. 800.368.9700 - F. 800.832.4888

ITEM DESCRIPTION:
ADJUSTABLE SUSPENSION CEILING ADAPTER

SIZE B DWG. NO. **AST-1321**

SCALE: 1:4 SHEET 1 OF 1