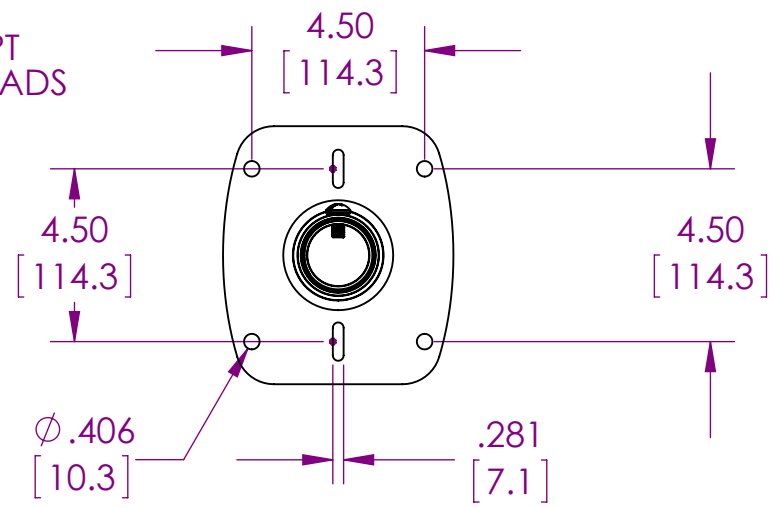
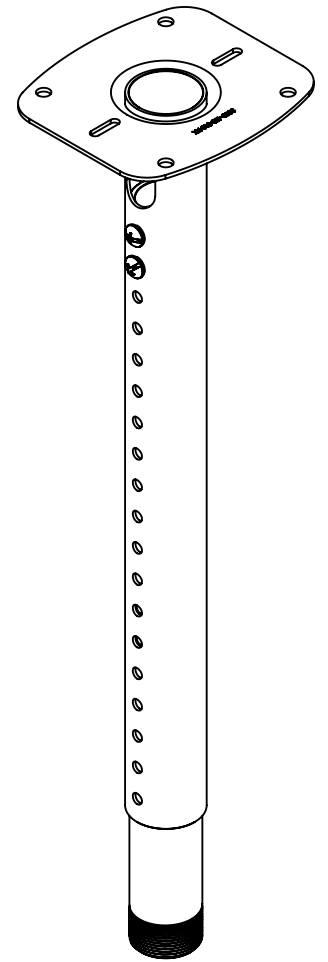
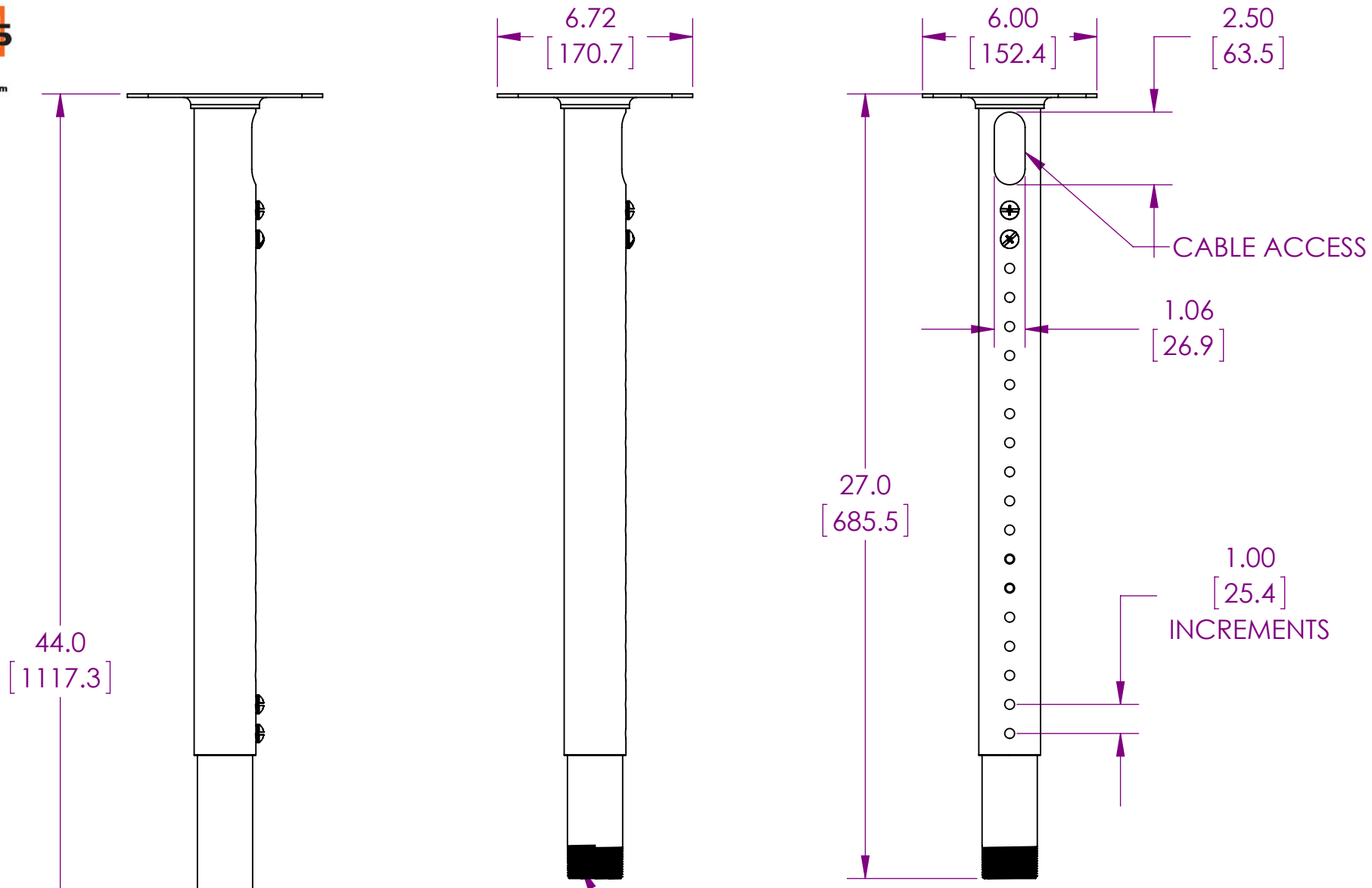


THE INFORMATION CONTAINED IN THIS DRAWING IS THE SOLE PROPERTY OF PREMIER MOUNTS DIVISION OF <PMPI> ANY REPRODUCTION IN PART OR WHOLE WITHOUT THE WRITTEN PERMISSION OF PREMIER MOUNTS DIVISION OF <PMPI> IS PROHIBITED.



DIMENSION ARE IN INCH AND [MM]
WEIGHT CAPACITY 500LBS

PREMIER MOUNTS
THE ORIGINAL MOUNT COMPANY
1321 South State College Blvd
Fullerton Ca, 92831
P. 800.368.9700 - F. 800.832.4888

ITEM DESCRIPTION:
ADJUSTABLE CEILING ADAPTER

SIZE B	DWG. NO. AST-2446
SCALE: 1:5	SHEET 1 OF 1