

Model: **FLIP, FLIP-B**

Mounts to a variety of flat surfaces

Features

- 1** Mounts underneath cabinets, on table tops, walls or any other flat surface
- 2** Flat panel can be positioned anywhere along the length of the support post
- 3** 360° Rotation
 - Simple torque settings allow the flat panel to stay in position when not in use
 - 50x50mm, 75x75mm and 100x100mm VESA mounting patterns
 - Ideal mount for interactive touch panels, card swipe, satellite and cable boxes, Apple TV's, small media players or mini computers
 - Available in black or silver

The FLIP mount allows a flat panel to be mounted anywhere on a flat surface. It can be mounted underneath a cabinet, on a table, desk or on a wall. It rotates 360°, holds equipment or displays up to 20 lb., and is available in black or silver.



Available in black or silver



Simple torque settings allow the flat panel to remain in place when not in use



Use on walls, underneath cabinets, on table tops, or on any other flat surface

VESA Swingout Mount for Flat Panels

FLIP, FLIP-B




Specifications

Weight 3.02 lb. 1.4 kg	Color Black or Silver	Mounting Pattern 50 x 50 mm (min) - 100 x 100 mm (max)
Width x Height x Depth 5.9 x 14.17 x 2.5 in. 150 x 360 x 64 mm	Rotation 360°	Warranty Lifetime

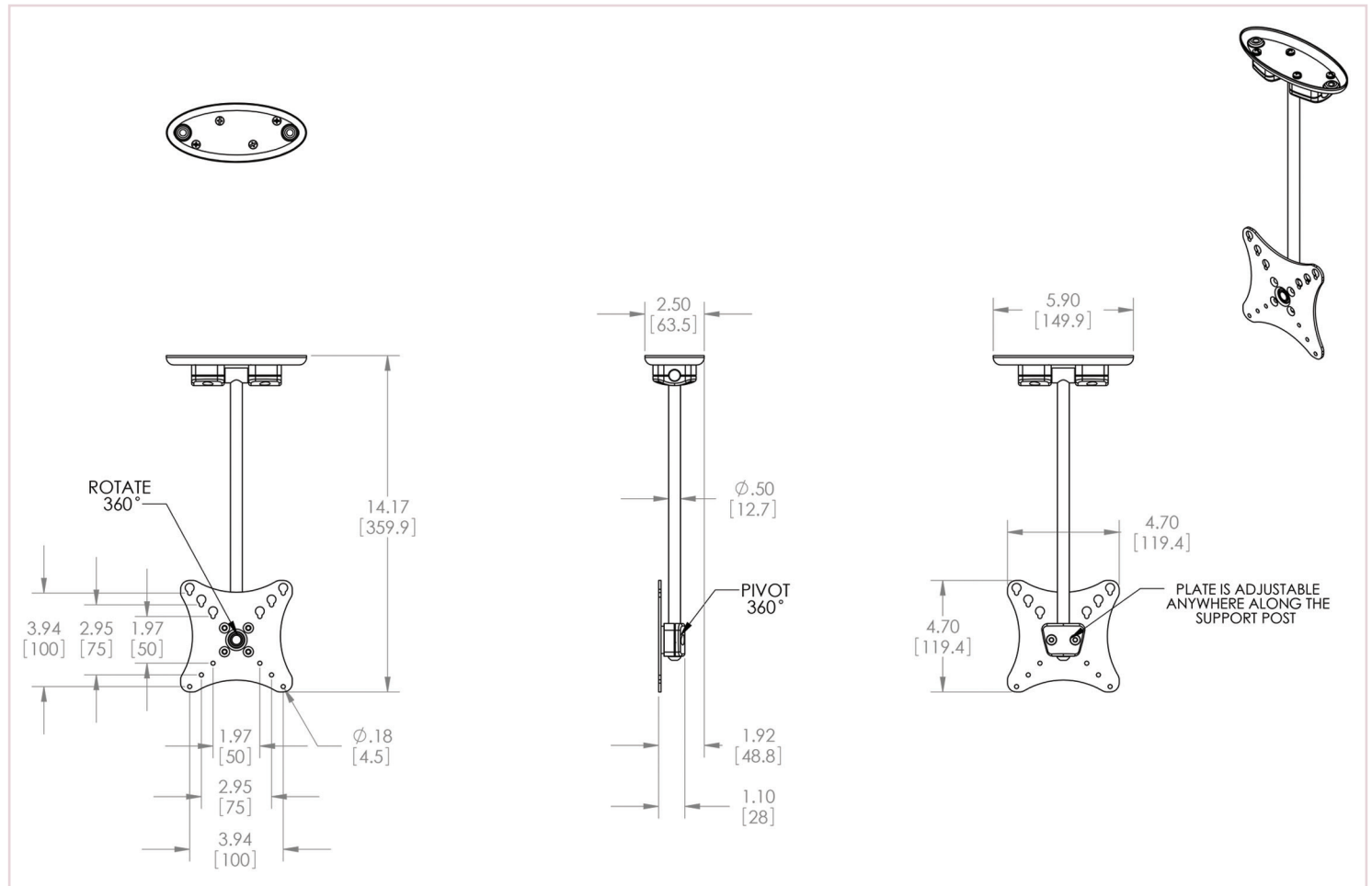
Packaging

Width x Height x Depth 6.5 x 1.75 x 15 in. 165 x 44 x 381 mm	Contents FLIP Mount (x1), Universal Hardware Pack (x1)
--	--

Accessories

 <p>Protected Mounting Frame for iPads with VESA Mounting Pattern IPM-100</p>	 <p>Rack Mount for Monitors & Flat Panel Displays FPA</p>	 <p>Mounting Frame for iPads with VESA Mounting Pattern IPM-200</p>
---	---	---

Architectural Drawing



Specifications subject to change without notice