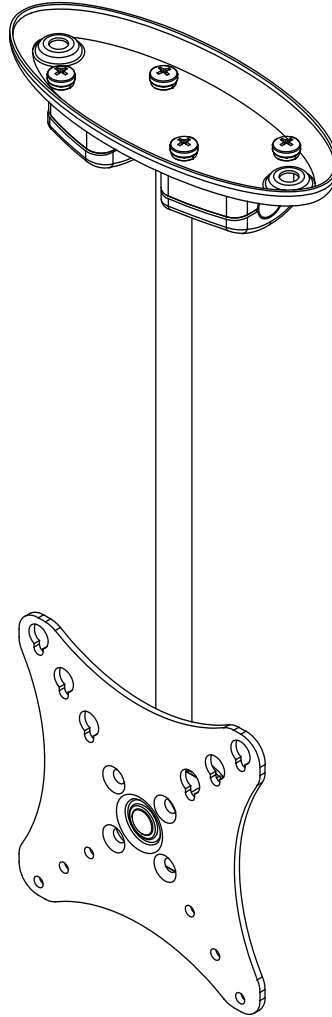


INSTALLATION INSTRUCTIONS



Touchboards

205 Westwood Ave, Long Branch, NJ 07740
Phone: 866-94 BOARDS (26273) / (732)-222-1511
Fax: (732)-222-7088 | E-mail: sales@touchboards.com

FLIP

Flip-Down LCD Mount

NORTH AMERICA

3130 East Miraloma Avenue
Anaheim, CA 92806 USA
USA and Canada –
Phone: 800-368-9700
Fax: 800-832-4888

EUROPE

Swallow House,
Shilton Industrial Estate,
Shilton, Coventry, England CV79JY
Phone: +44 (0) 2476 614700
Fax: +44 (0) 2476 614710



Table of Contents

Warning Statements..... 2

Parts List..... 3

Installation Tools 3

FLIP Mount Location 4

Hardwood Cabinet Installation 5

Softwood Cabinet Installation 6

Mount Installation - Wall Surface (Optional) 7

Attaching the Flat Panel..... 8

FLIP Mount Adjustments 9

Final Adjustments..... 9

Technical Specifications 10

Warranty 11

Warning Statements



PRIOR TO THE INSTALLATION OF THIS PRODUCT, THE INSTALLATION INSTRUCTIONS SHOULD BE READ AND COMPLETELY UNDERSTOOD. THE INSTALLATION INSTRUCTIONS MUST BE READ TO PREVENT PERSONAL INJURY AND PROPERTY DAMAGE. KEEP THESE INSTALLATION INSTRUCTIONS IN AN EASILY ACCESSIBLE LOCATION FOR FUTURE REFERENCE.



PREMIER MOUNTS DOES NOT WARRANT AGAINST DAMAGE CAUSED BY THE USE OF ANY PREMIER MOUNTS PRODUCT FOR PURPOSES OTHER THAN THOSE FOR WHICH IT WAS DESIGNED OR DAMAGE CAUSED BY UNAUTHORIZED ATTACHMENTS OR MODIFICATIONS, AND IS NOT RESPONSIBLE FOR ANY DAMAGES, CLAIMS, DEMANDS, SUITS, ACTIONS OR CAUSES OF ACTION OF WHATEVER KIND RESULTING FROM, ARISING OUT OF OR IN ANY MANNER RELATING TO ANY SUCH USE, ATTACHMENTS OR MODIFICATIONS.



THE WALL STRUCTURE MUST BE CAPABLE OF SUPPORTING AT LEAST 5 TIMES THE WEIGHT OF THE FLAT PANEL. IF NOT, THE WALL STRUCTURE MUST BE RE-INFORCED. PROPER INSTALLATION PROCEDURE BY A QUALIFIED SERVICE TECHNICIAN, AS OUTLINED IN THE INSTALLATION INSTRUCTIONS, MUST BE ADHERED TO. FAILURE TO DO SO COULD RESULT IN SERIOUS PERSONAL INJURY, OR EVEN DEATH.



SAFETY MEASURES MUST BE PRACTICED AT ALL TIMES DURING THE INSTALLATION OF THIS PRODUCT. USE PROPER SAFETY GEAR AND TOOLS FOR THE INSTALLATION PROCEDURE TO PREVENT PERSONAL INJURY.



Indicates that the power plug is to be disconnected from the power outlet.



Contact Premier Mounts with any questions - (800) 368-9700.



Safety precautions must be taken at all times.



Warning and Caution statements.



It is recommended that a maximum of 5/8" plaster board be used when mounting to wooden studs.



Do not install on a structure that is prone to vibration, movement or chance of impact. Failure to do so could result in damage to the flat panel and/or damage to the mounting surface.



Do not install near heater, fireplace, direct sunlight, air conditioning or any other source of direct heat energy. Failure to do so may result in damage to the flat panel and could increase the risk of fire.



At least two qualified people should perform the installation procedure. Injury and/or damage can result from dropping or mishandling the flat panel.

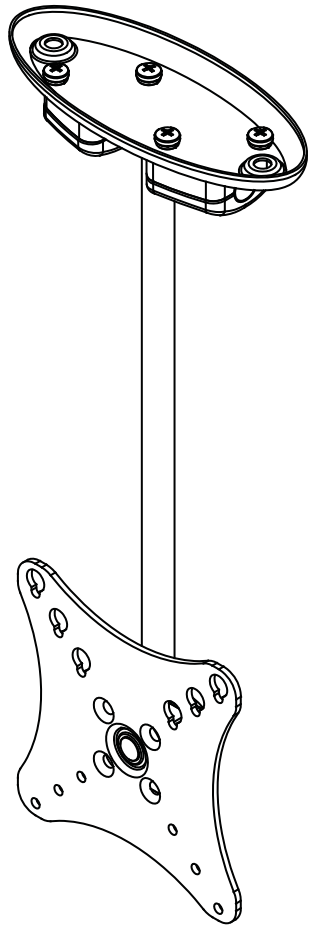

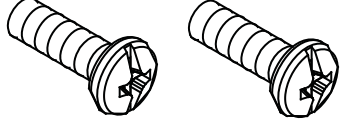
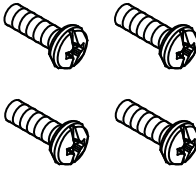

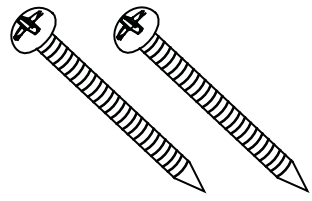
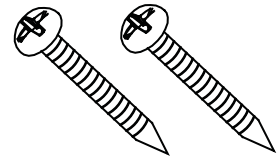
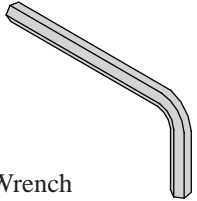


Parts List

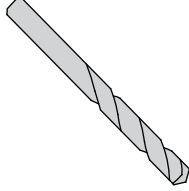
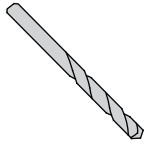

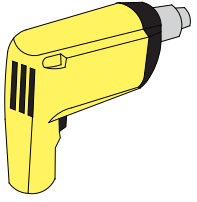
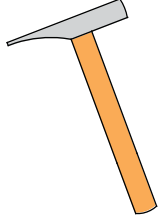
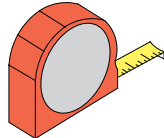
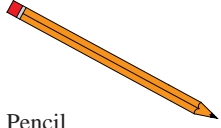
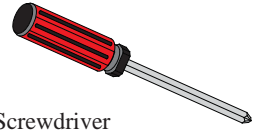


Congratulations on the purchase of your new Premier Mounts FLIP flat panel mount. This mount is shipped with all proper installation hardware and components. Make sure that none of these parts are missing and/or damaged before beginning installation. If there are parts missing and/or damaged, please stop the installation and contact Premier Mounts (800) 368-9700.




 <p>Flip Mount (Qty 1)</p>	<p>NOTE The M5 flat head screw will prevent the FLIP mount mounting plate from rotating 360°.</p>  <p>M5 x 10mm Flat Head Screw (Qty 1)</p>	 <p>1/4-20 x 5/8" Combo Screw (Qty 2)</p>
	 <p>M4 x 10mm Combo Screw (Qty 4)</p>	 <p>1/4-20 Tee Nut (Qty 2)</p>
	 <p>#14 x 2" Wood Screw (Qty 2) Wall Stud Applications</p>	 <p>#14 x 7/8" Wood Screw (Qty 2) Under-counter Applications</p>
	 <p>5/32" Allen Wrench</p>	


Installation Tools (not supplied)


	 <p>5/16" Drill Bit (Tee Nut Installation)</p>	 <p>1/8" Drill Bit (Wood Stud Installation)</p>	 <p>Electronic Stud Finder</p>	 <p>Drill</p>	 <p>Hammer</p>
	 <p>Tape Measure</p>	 <p>Pencil</p>	 <p>Screwdriver</p>		

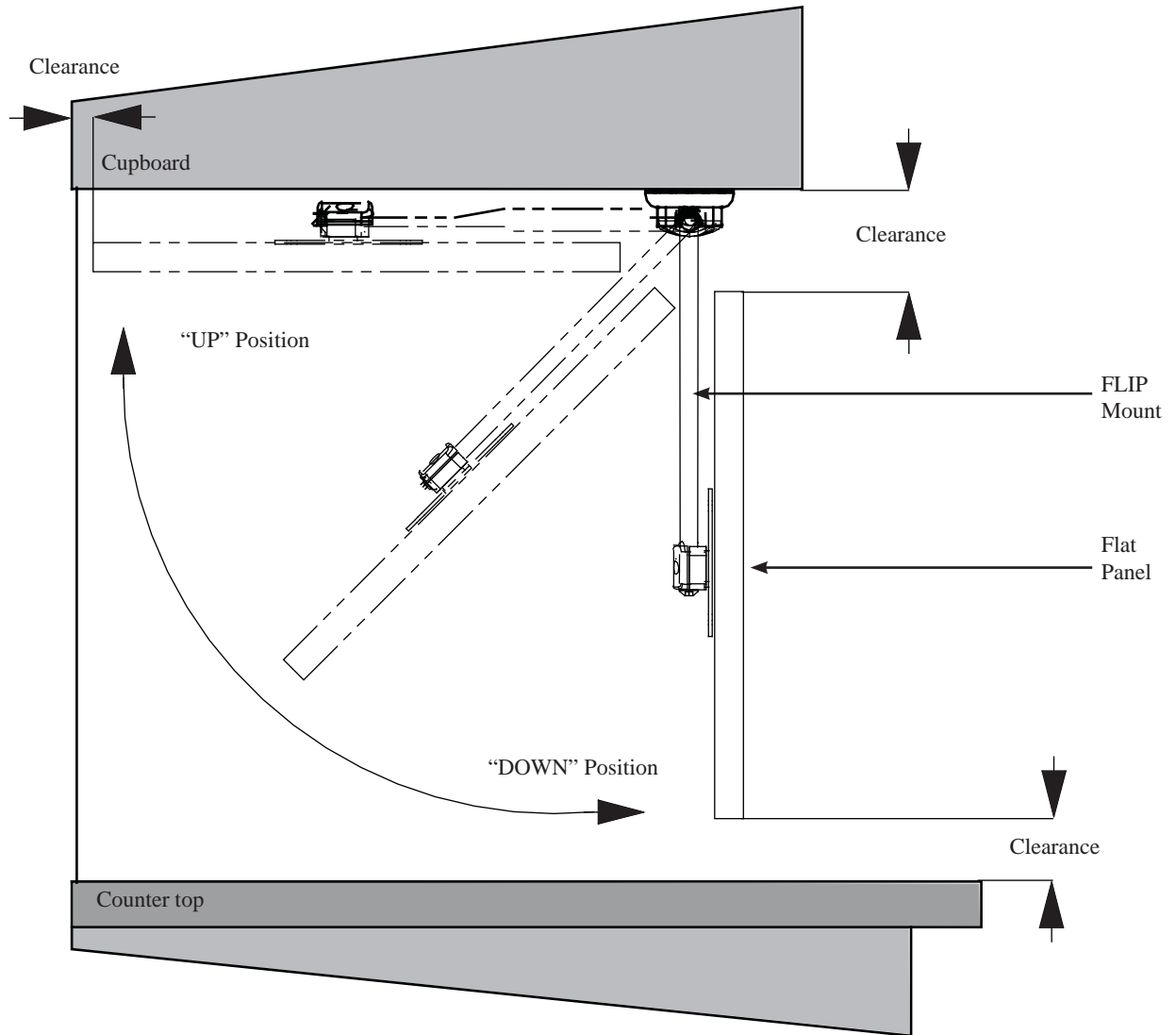


FLIP Mount Location

 **NOTE** Before drilling, make sure that there is enough room to lower and raise the display. For example, when the display is put in the “up” position, it should not hit the wall and should be even with the front of the cabinet.

 **NOTE** Mount placement will be primarily determined by the size of the flat panel being used.

 **NOTE** There must be enough clearance for the FLIP mount and flat panel to be adjusted without interfering with the wall, counter top surface and the overhead cupboard (see diagram below).



When mounting the FLIP mount to the underside of a cupboard, careful consideration must be taken. The following steps will help in determining the placement of the FLIP mount (please see diagram above):

Step 1. Attach the flat panel to the FLIP mount (SEE PAGE 8).

Step 2. Put the FLIP mount in the “up” position.

Step 3. Place the FLIP mount base flush on the underside of the cupboard.

Step 4. Slide flat panel and FLIP mount to the rear of the cupboard surface until the bottom edge of the flat panel is a minimum 1” from the wall.

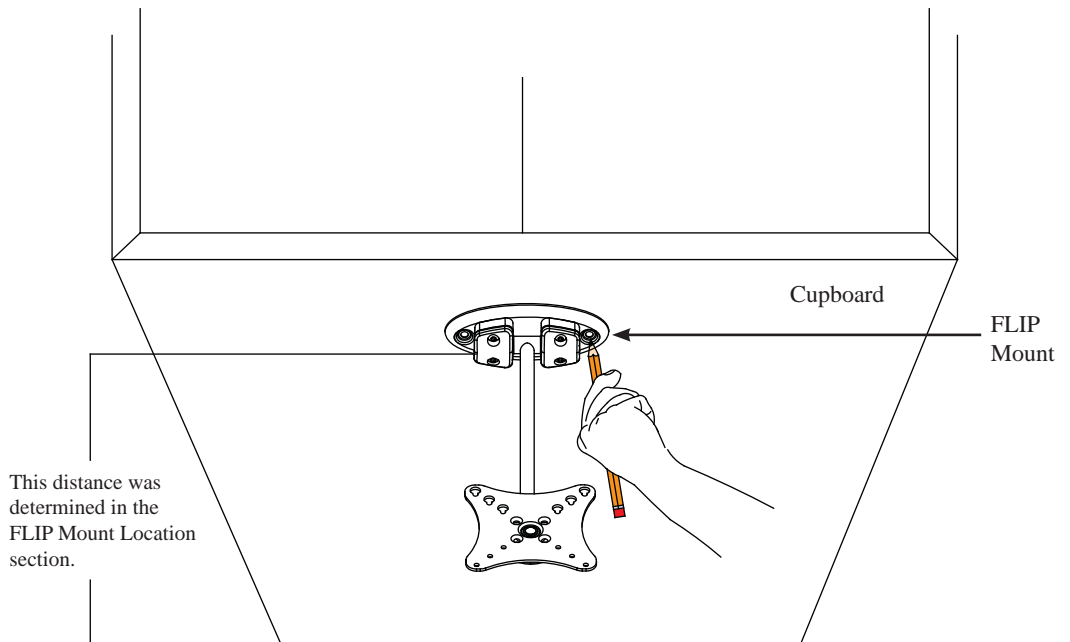
Step 5. Use a pencil to mark where the two mounting holes are. This will be the location where your pilot holes will be drilled.



Hardwood Cabinet Installations



NOTE Wood screws are recommended when mounting the FLIP mount onto hardwood surfaces.



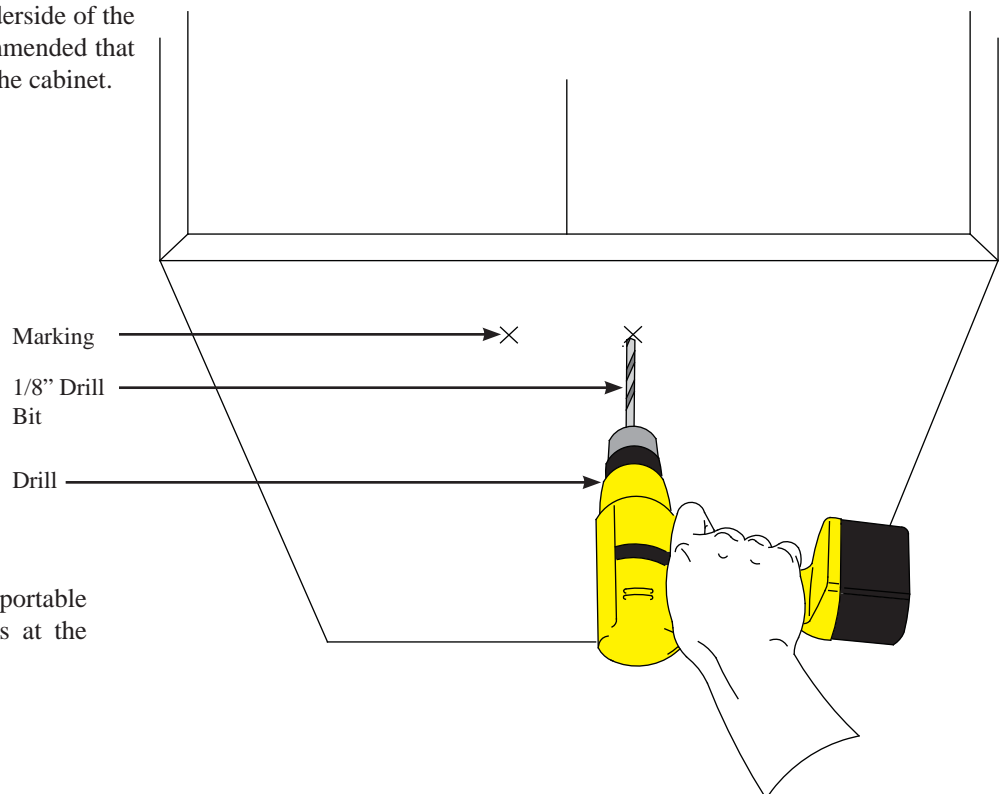
Step 1. Place the FLIP Mount base on the mounting location and mark (using a pencil) where the FLIP will be mounted.



NOTE The FLIP mount base may be used as a template when marking the mount location.



NOTE Prior to drilling into the underside of the cabinet, it is strongly recommended that all items be removed from the cabinet.



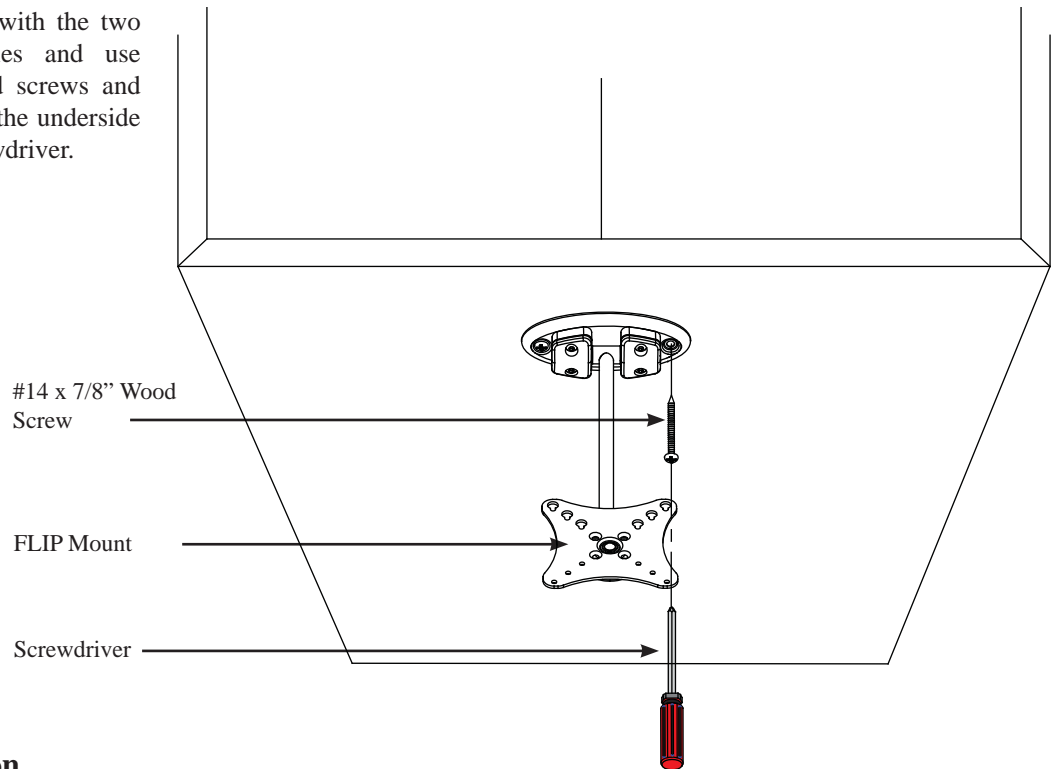
Step 2. Using a 1/8" drill bit and portable drill, pre-drill both pilot holes at the marked locations.



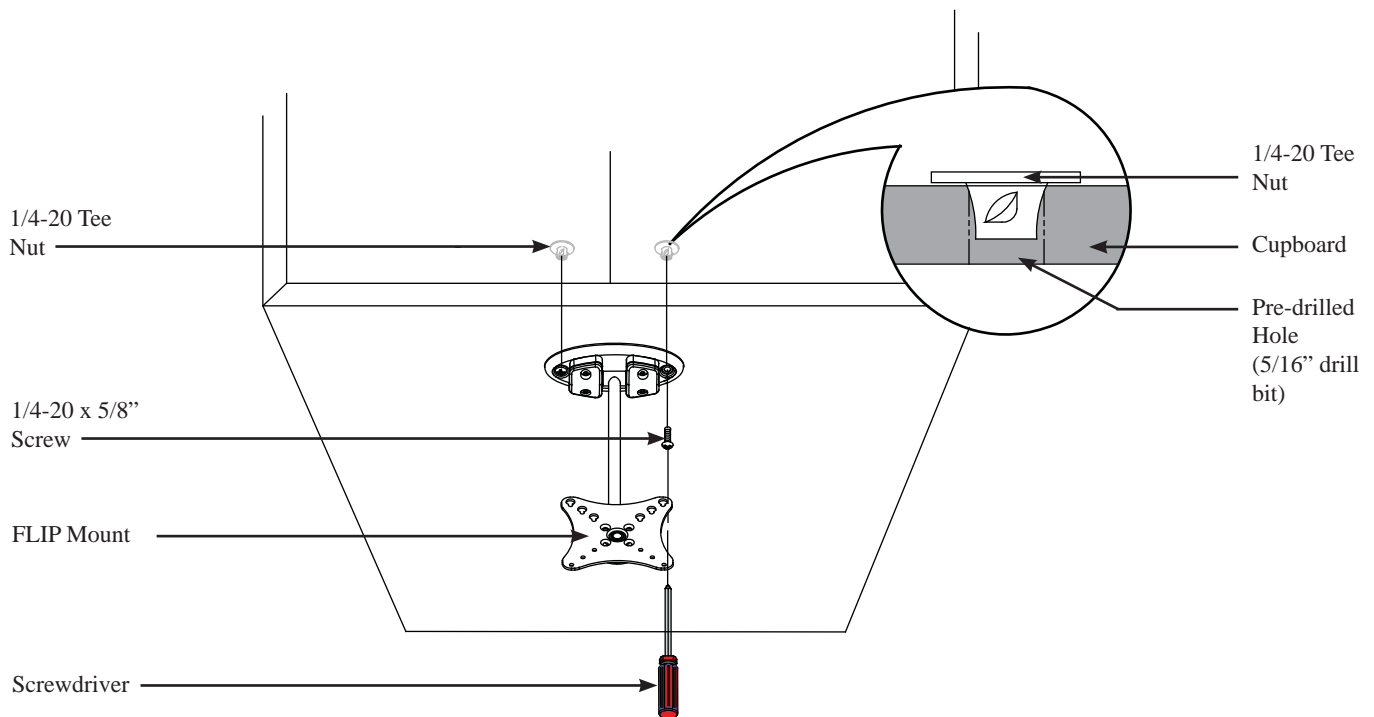
Step 3. Line the FLIP Mount up with the two pre-drilled mounting holes and use two (2) #14 x 7/8" wood screws and secure the FLIP Mount to the underside of the cabinet using a screwdriver.

**WARNING**

Do NOT over-tighten the wood screws, as this could cause the threads to strip out the wood inside the cabinet enclosure.

**Softwood Cabinet Installation**

NOTE 1/4-20 Tee Nut and screws are recommended when installing the FLIP mount into softwood surfaces.



Step 1. Use a 5/16" drill bit and drill to pre-drill the tee nut pilot holes in the underside of the cupboard.

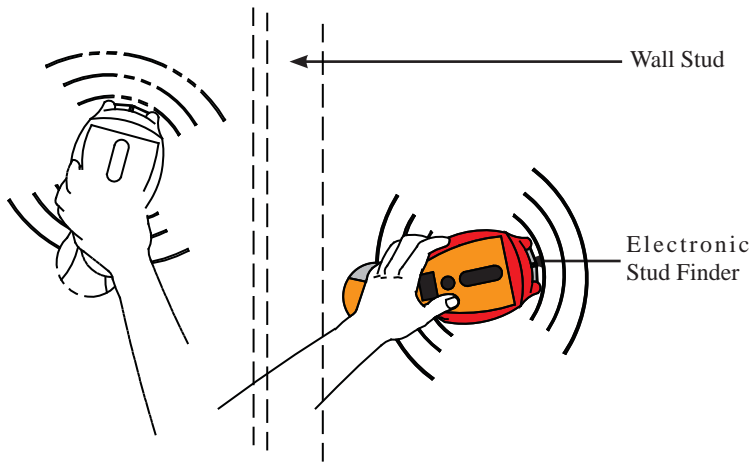
Step 2. After drilling the mounting holes, open the cupboard door and place two (2) 1/4 - 20 tee nuts into each hole (see inset above). Use a hammer to gently tap into place.

Step 3. Line the FLIP Mount up with the two pre-drilled mounting holes.

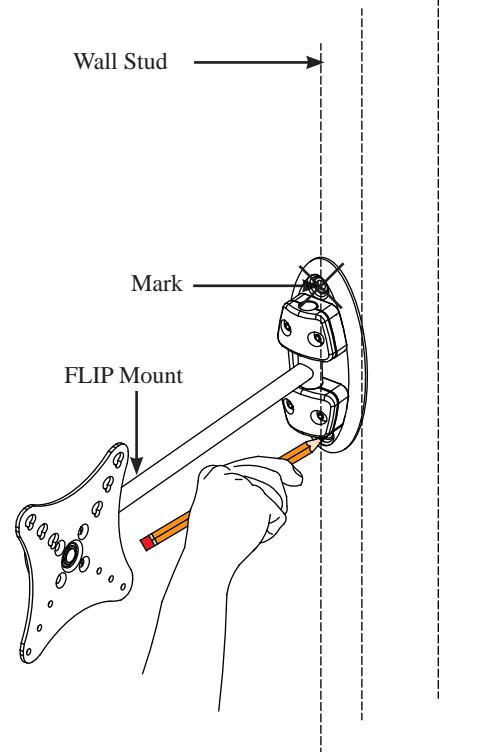
Step 4. Using a screwdriver, insert and tighten two (2) 1/4 - 20 x 5/8" screws and attach the FLIP Mount to the underside of the cabinet.



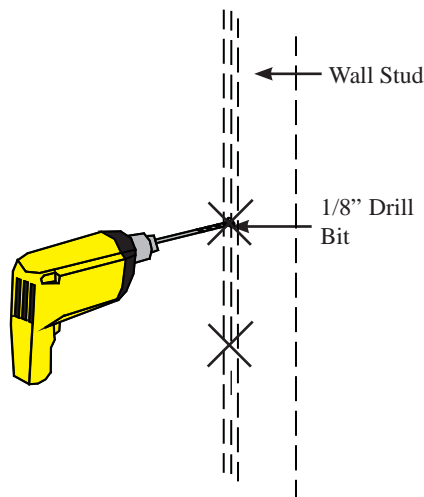
Mount Installation - Wall Surface (Optional)



- Step 1.** If the location where the flat panel will be installed is acceptable, use a stud finder to determine the exact center of each stud.
- Step 2.** Once a wood stud has been located, mark this spot with a pencil. This will be the upper mounting point.

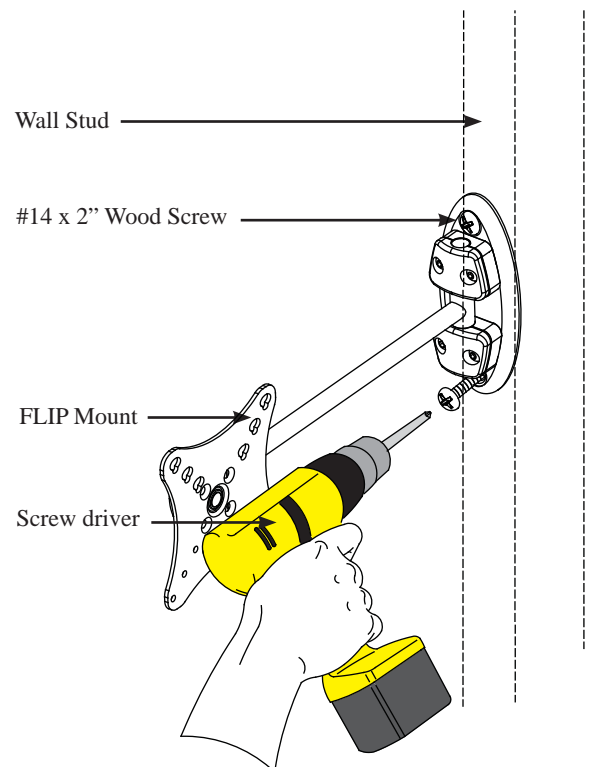


- Step 3.** Mark the lower mounting point as well, once the upper mounting point has been marked.



NOTE Before drilling the pilot holes, line up the mounting holes with the pencil marks and level the FLIP mount, if needed.

- Step 4.** Using a 1/8" drill bit, pre-drill both pilot holes at the marked locations.



- Step 5.** Using a portable drill, insert and tighten two (2) #14 x 2" wood screws.

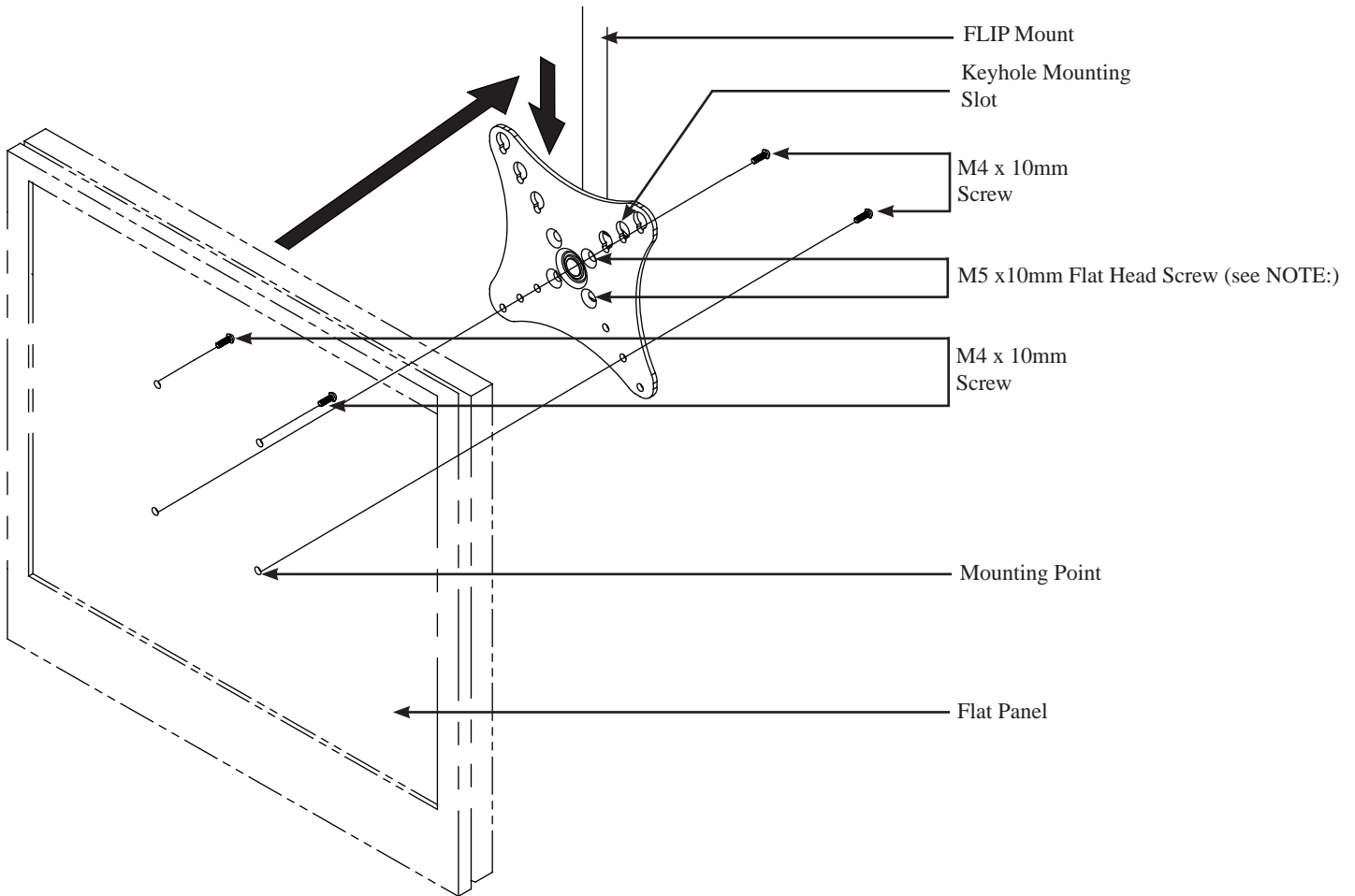
WARNING Do NOT over-tighten the wood screws, as this could cause the threads to strip out the wood inside the wall stud.



Attaching the Flat Panel

**NOTE**

If you chose not to use the 360° feature of the FLIP mount, please insert and tighten one (1) M5 x 10mm flat head screw into any one of the four mounting point locations (please see below for mounting points). The M5 x 10mm flat head screw will prevent the FLIP mount from rotating 360°.

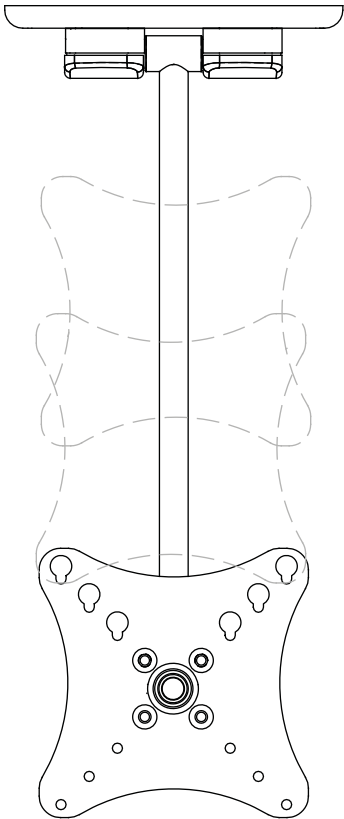
**NOTE**

If you chose not to use the 360° feature of the FLIP mount, please insert and tighten one (1) M5 x 10mm flat head screw into any one of the four mounting point locations (please see above for mounting points). The M5 x 10mm flat head screw will prevent the FLIP mount from rotating 360°.

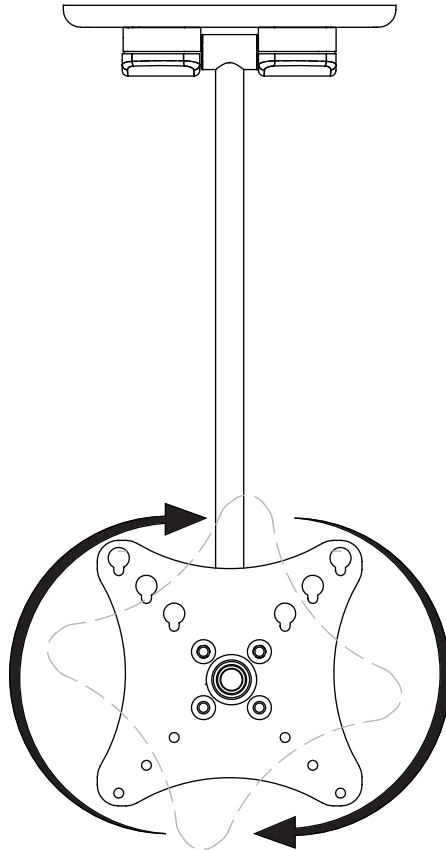
- Step 1.** Locate the mounting points that are on the back of the flat panel.
- Step 2.** Line up the mounting points on the flat panel with the corresponding mounting holes on the FLIP mount.
- Step 3.** Loosely attach the upper two (2) M4 x 10 mounting screws.
- Step 4.** Insert the screw heads into the corresponding keyhole mounting slots that are on the FLIP mount.
- Step 5.** With the FLIP mount securely attached, insert and tighten the two (2) lower M4 x 10 mounting screws.
- Step 6.** Use a screwdriver to tighten all mounting hardware at this time.



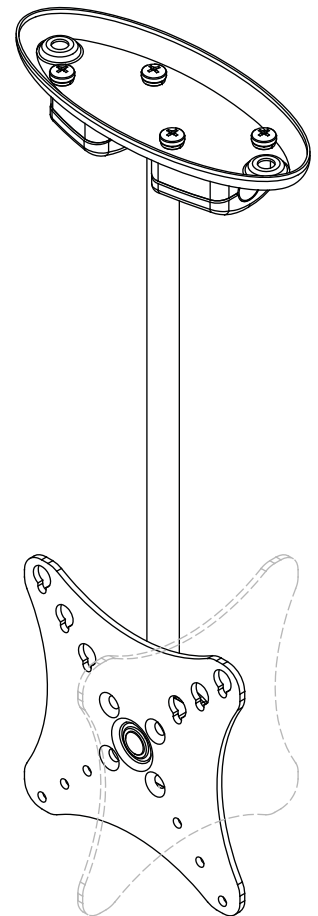
FLIP Mount Adjustments



Vertical Adjustment



360° Rotation Adjustment



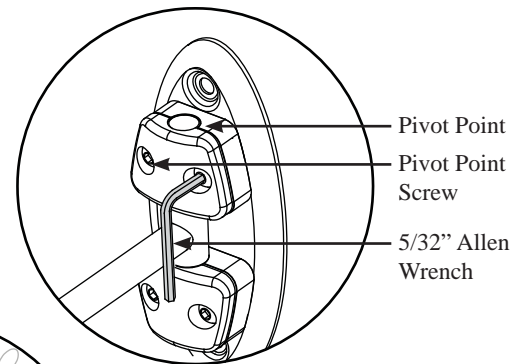
Left-to-Right 360° Rotation Adjustment

Final Adjustments

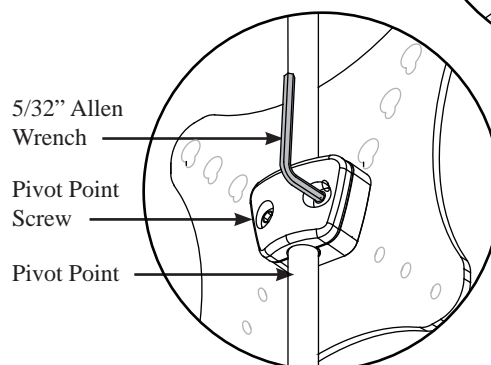
The FLIP mount has pivot points that allow the mount to be easily adjusted. Once the adjustments have been made, the pivot points will need to be tightened. Please refer to the steps below to tighten the pivot point screws.

- Step 1.** Make sure the FLIP mount has been adjusted to the determined viewing angle.
- Step 2.** Locate each pivot point.
- Step 3.** Use the 5/32" Allen wrench (supplied) to tighten each pivot point screw.

Tilt Adjustment



Pivot Point
Pivot Point Screw
5/32" Allen Wrench



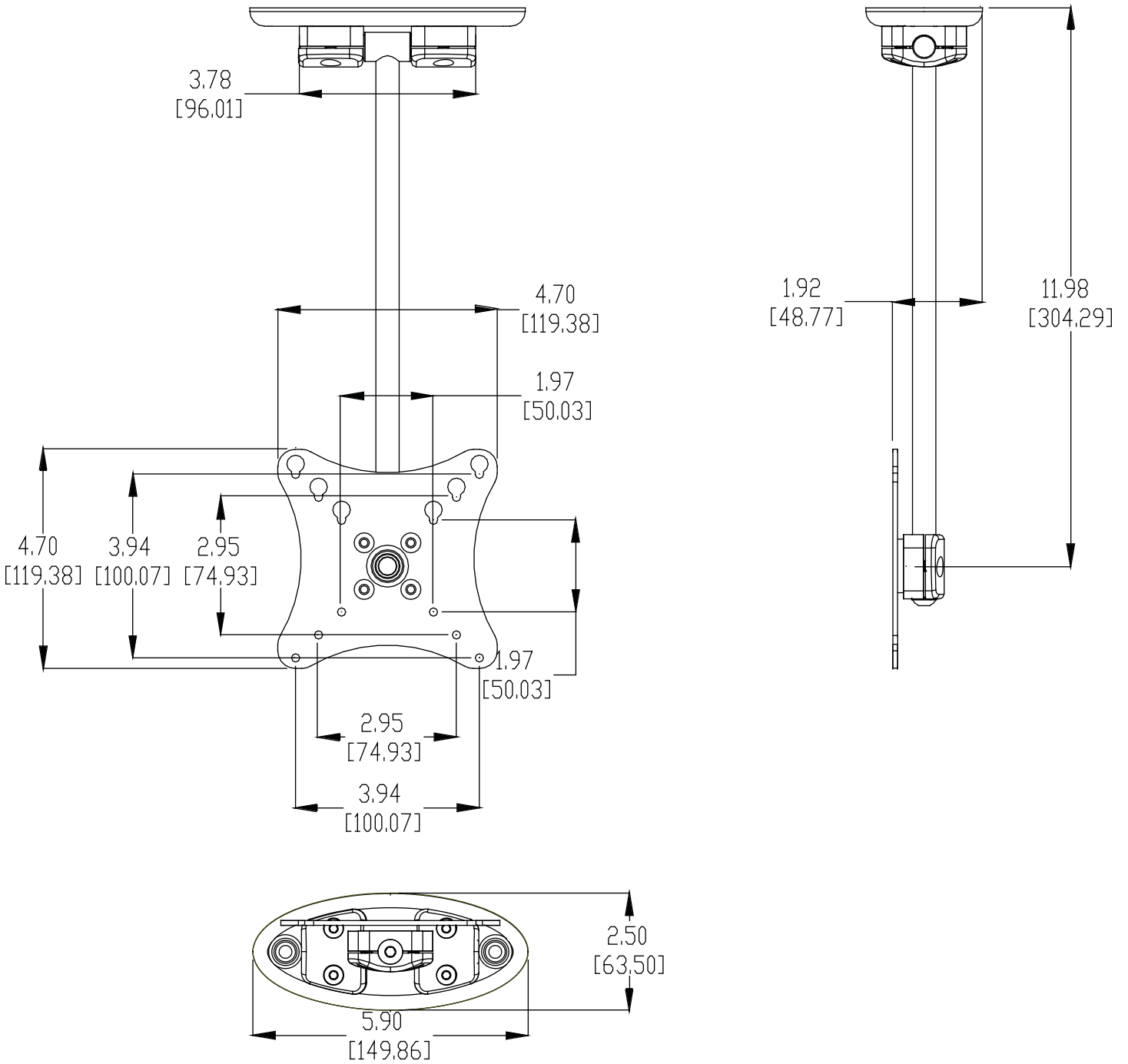
5/32" Allen Wrench
Pivot Point Screw
Pivot Point

Vertical/Lateral Adjustment



Technical Specification

All measurements are in inches [mm].





Warranty

PREMIER MOUNTS LIMITED LIFETIME WARRANTY

What and Who is Covered by this Limited Warranty and for How Long

Premier Mounts warrants this product to be free from defects in material and workmanship for the lifetime of the original owner of this product. The limited warranty is valid only for the original purchaser of the product.

What Premier Mounts Will Do

At the sole option of Premier Mounts, Premier Mounts will repair or replace any product or product part that is defective. If Premier Mounts chooses to replace a defective product or part, a replacement product or part will be shipped to you at no charge, but you must pay any labor costs.

What is Not Covered; Limitations

PREMIER MOUNTS DISCLAIMS ANY LIABILITY FOR DAMAGE TO MOUNTS, ADAPTERS, DISPLAYS, PROJECTORS, OTHER PROPERTY, OR PERSONAL INJURY RESULTING, IN WHOLE OR IN PART, FROM IMPROPER INSTALLATION, MODIFICATION, USE OR MISUSE OF ITS PRODUCTS.

PREMIER MOUNTS DISCLAIMS ALL OTHER WARRANTIES, EXPRESS OR IMPLIED, INCLUDING WARRANTIES OF MERCHANTABILITY AND FITNESS FOR A PARTICULAR PURPOSE. PREMIER MOUNTS IS NOT RESPONSIBLE FOR INCIDENTAL OR CONSEQUENTIAL DAMAGES, INCLUDING BUT NOT LIMITED TO, INABILITY TO USE ITS PRODUCTS OR LABOR COSTS FOR REMOVING AND REPLACING DEFECTIVE PRODUCTS OR PARTS. SOME STATES DO NOT ALLOW THE EXCLUSION OR LIMITATION OF INCIDENTAL OR CONSEQUENTIAL DAMAGES, SO THE ABOVE LIMITATION OR EXCLUSION MAY NOT APPLY TO YOU.

What Customers Must Do for Limited Warranty Service

If you discover a problem that you think may be covered by the warranty you **MUST REPORT** it in writing to the address below within thirty (30) days. Proof of purchase (an original sales receipt) from the original consumer purchaser must accompany all warranty claims. Warranty claims must also include a description of the problem, the purchaser's name, address, and telephone number. General inquiries can be addressed to Premier Mounts Customer Service at 1-800-368-9700. Warranty claims will not be accepted over the phone or by fax.

Premier Mounts
Attn: Warranty Claim
3130 East Miraloma Ave.
Anaheim, CA 92806

How State Law Applies

THIS WARRANTY GIVES YOU SPECIFIC LEGAL RIGHTS, AND YOU MAY ALSO HAVE OTHER RIGHTS WHICH VARY FROM STATE TO STATE.