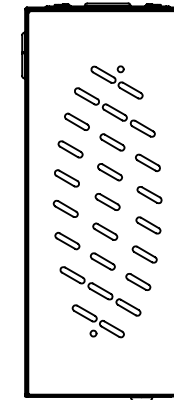
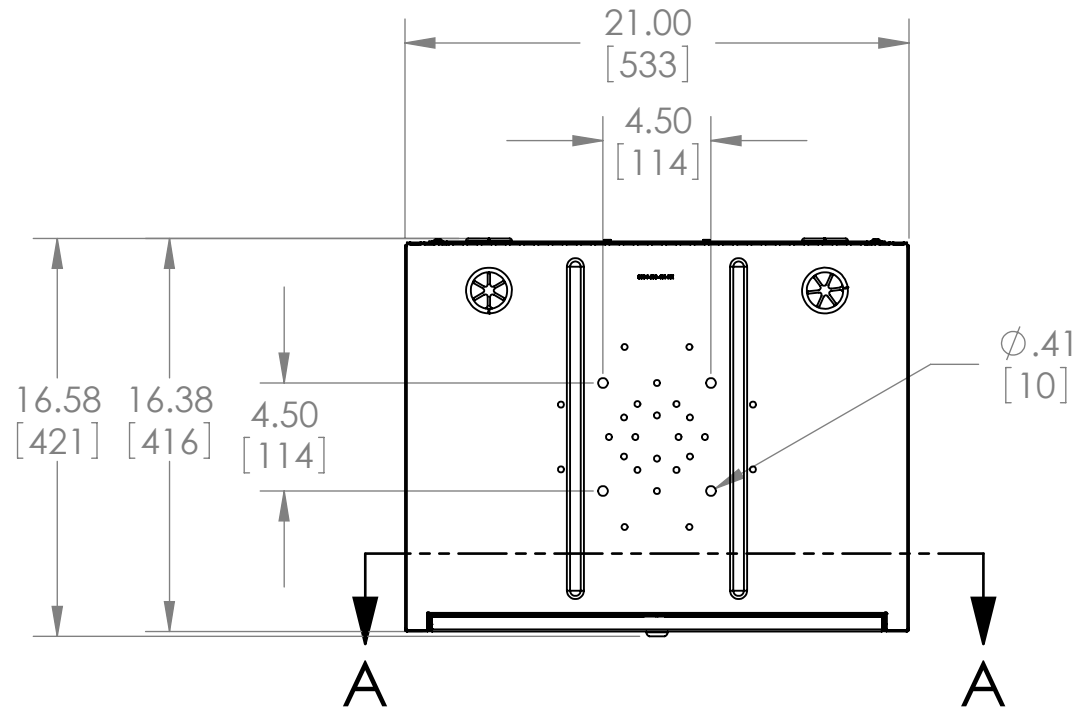
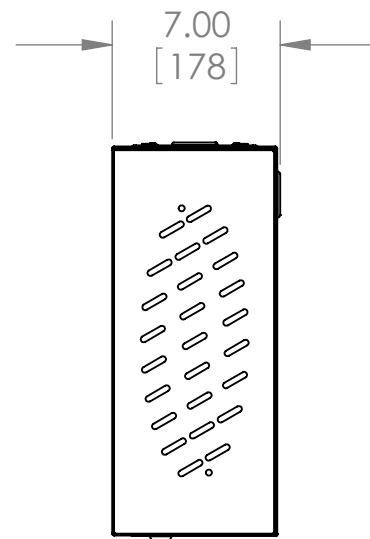
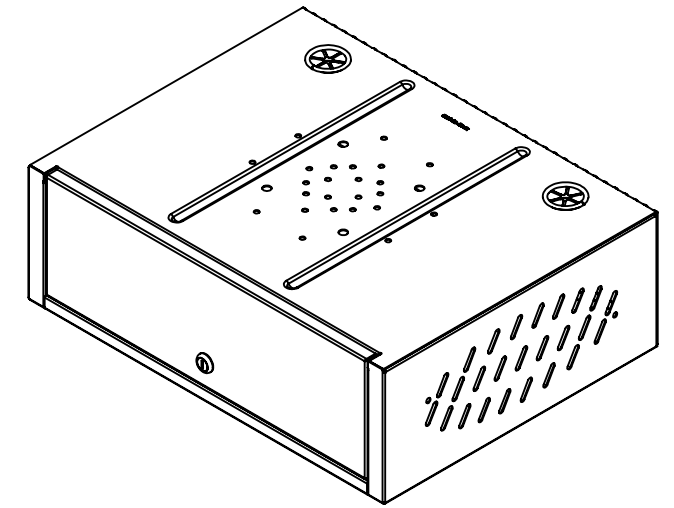


THE INFORMATION CONTAINED IN THIS DRAWING IS THE SOLE PROPERTY OF PREMIER MOUNTS DIVISION OF <PMP> ANY REPRODUCTION IN PART OR WHOLE WITHOUT THE WRITTEN PERMISSION OF PREMIER MOUNTS DIVISION OF <PMP> IS PROHIBITED.

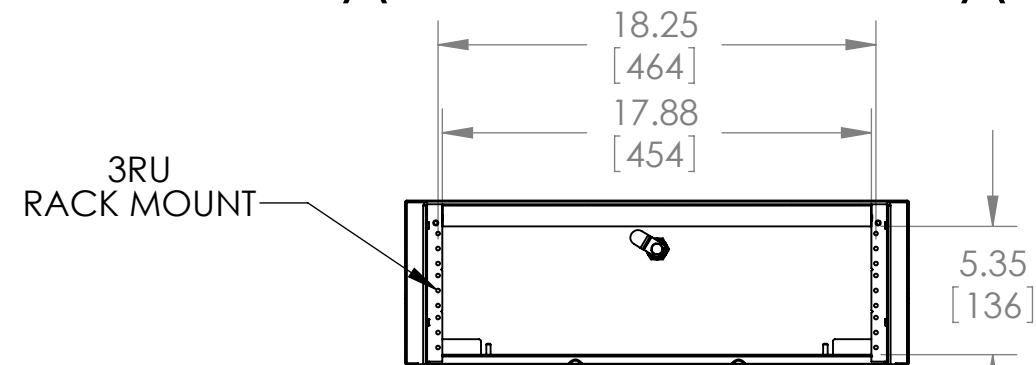
**Touchboards**

205 Westwood Ave, Long Branch, NJ 07740  
 Phone: 866-94 BOARDS (26273) / (732)-222-1511  
 Fax: (732)-222-7088 | E-mail: sales@touchboards.com

MUFFIN FAN LOCATION



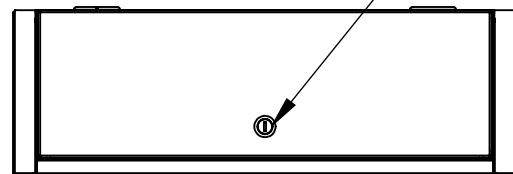
Ø.41 [10]



3RU RACK MOUNT

SECTION A-A

LOCK



MOUNTS.COM

**PREMIER MOUNTS**  
 CREATING POSITIVE CUSTOMER EXPERIENCES

3130 East Miraloma Avenue  
 Anaheim, CA 92806  
 P. 800.368.9700 - F. 800.832.4888

ITEM DESCRIPTION: **GB-MBX300**

SIZE: B DWG. NO.

SCALE: 1:1

SHEET 1 OF 1