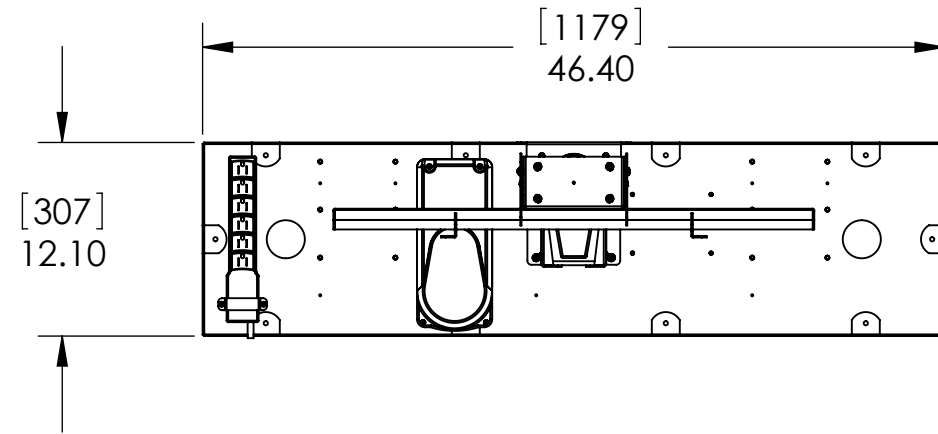


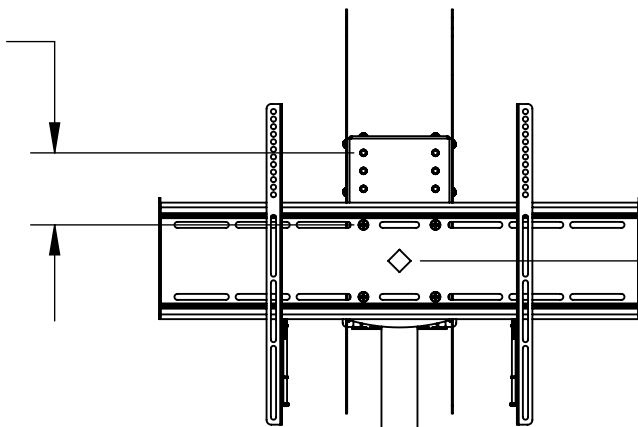
THE INFORMATION CONTAINED IN THIS DRAWING IS THE SOLE PROPERTY OF PREMIER MOUNTS DIVISION OF <PMPI> ANY REPRODUCTION IN PART OR WHOLE WITHOUT THE WRITTEN PERMISSION OF PREMIER MOUNTS DIVISION OF <PMPI> IS PROHIBITED.



205 Westwood Ave, Long Branch, NJ 07740
 Phone: 866-94 BOARDS (26273) / (732)-222-1511
 Fax: (732)-222-7088 | E-mail: sales@touchboards.com

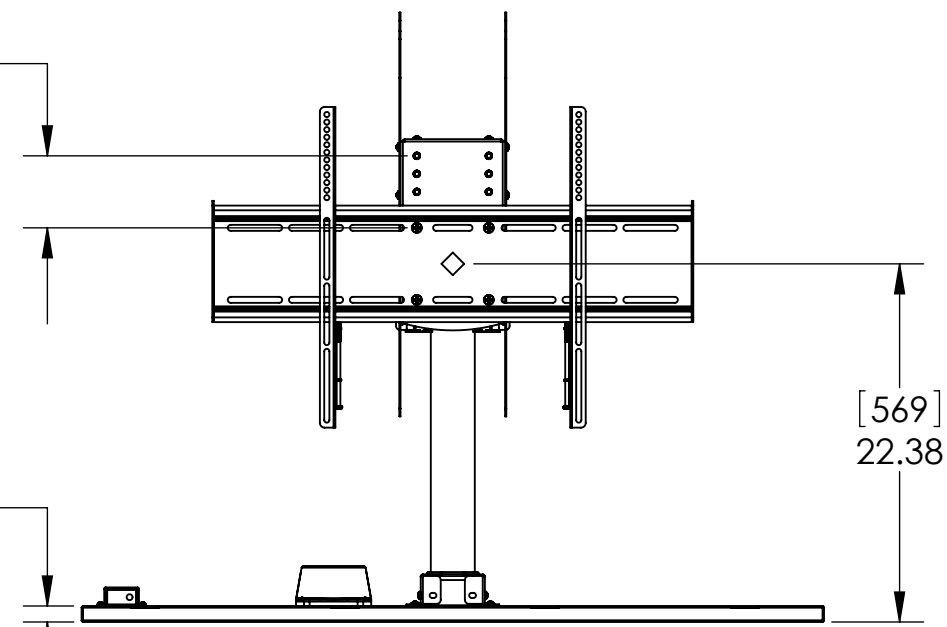


[114]
 4.50
 4 POSITION
 @ 1-1/8"
 INCREMENTS



ADJUSTABLE HEIGHT BRACKET

[114]
 4.50
 4 POSITION
 @ 1-1/8"
 INCREMENTS



LIFT AT MINIMUM POSITION

[569]
 22.38

[1546]
 60.88

LIFT AT MAXIMUM POSITION

MAX WEIGHT CAPACITY 600 N, OR 135 LBS.



CREATING POSITIVE CUSTOMER EXPERIENCES

1321 South State College Boulevard
 Fullerton, CA 92831
 P. 800.368.9700 - F. 800.832.4888

ITEM DESCRIPTION:
FLAT-PANEL LIFT SYSTEM

SIZE B DWG. NO. L180H

SCALE: 1:1 RD, 8-3-12 SHEET 1 OF 1