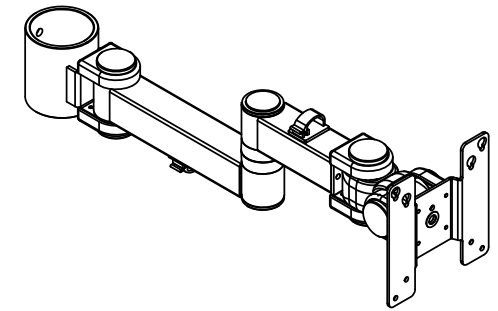
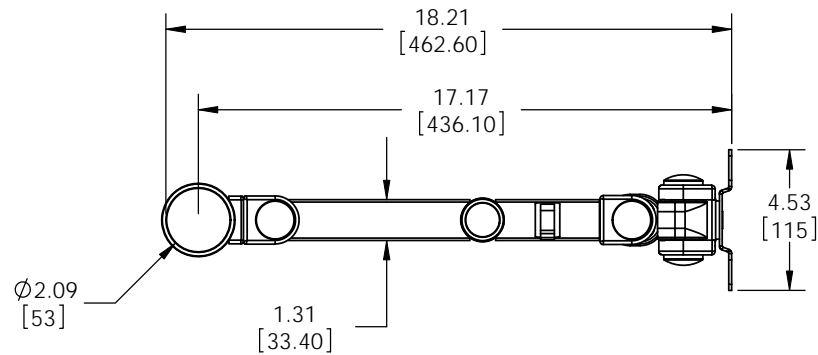
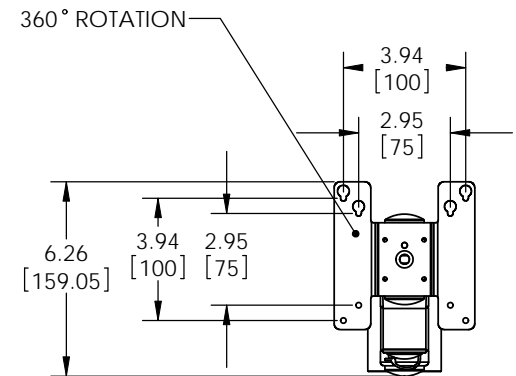
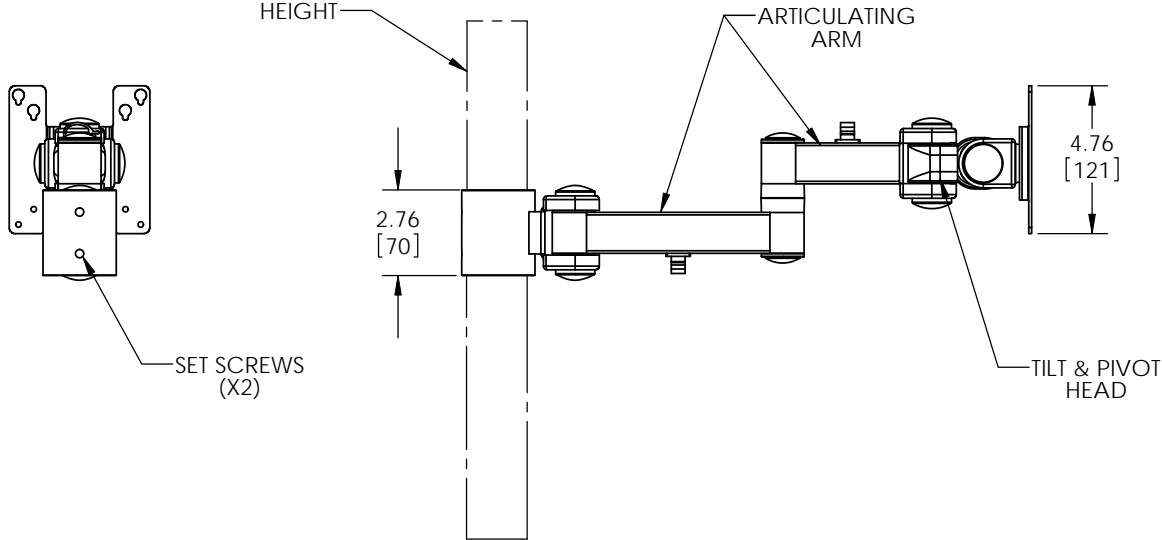


THE INFORMATION CONTAINED IN THIS DRAWING IS THE SOLE PROPERTY OF PREMIER MOUNTS DIVISION OF <PMPI>. ANY REPRODUCTION IN PART OR WHOLE WITHOUT THE WRITTEN PERMISSION OF PREMIER MOUNTS DIVISION OF <PMPI> IS PROHIBITED.



(OPTION)
2" TUBE 15"-28"42"
HEIGHT



MOUNTS.COM

Touchboards

205 Westwood Ave, Long Branch, NJ 07740
Phone: 866-94 BOARDS (26273) / (732)-222-1511
Fax: (732)-222-7088 | E-mail: sales@touchboards.com

PREMIER MOUNTS
CREATING POSITIVE CUSTOMER EXPERIENCES
3130 East Miraloma Avenue
Anaheim, CA 92806
P. 800.368.9700 - F. 800-832.4888

ITEM DESCRIPTION:	
MM-A1	
SIZE	DWG. NO.
B	
SCALE: 1:1	
SHEET 1 OF 1	