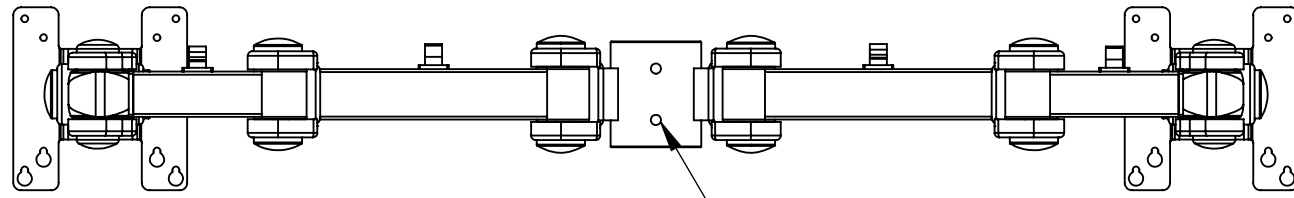


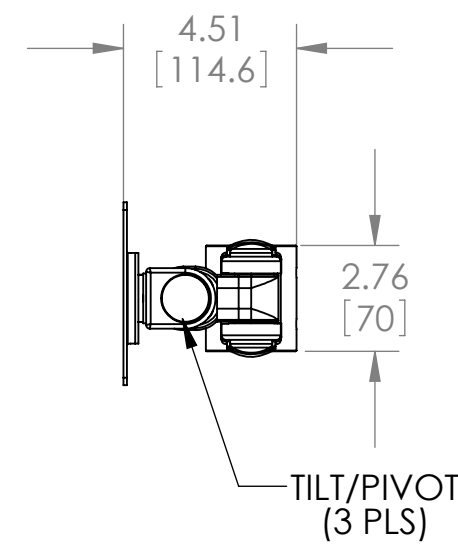
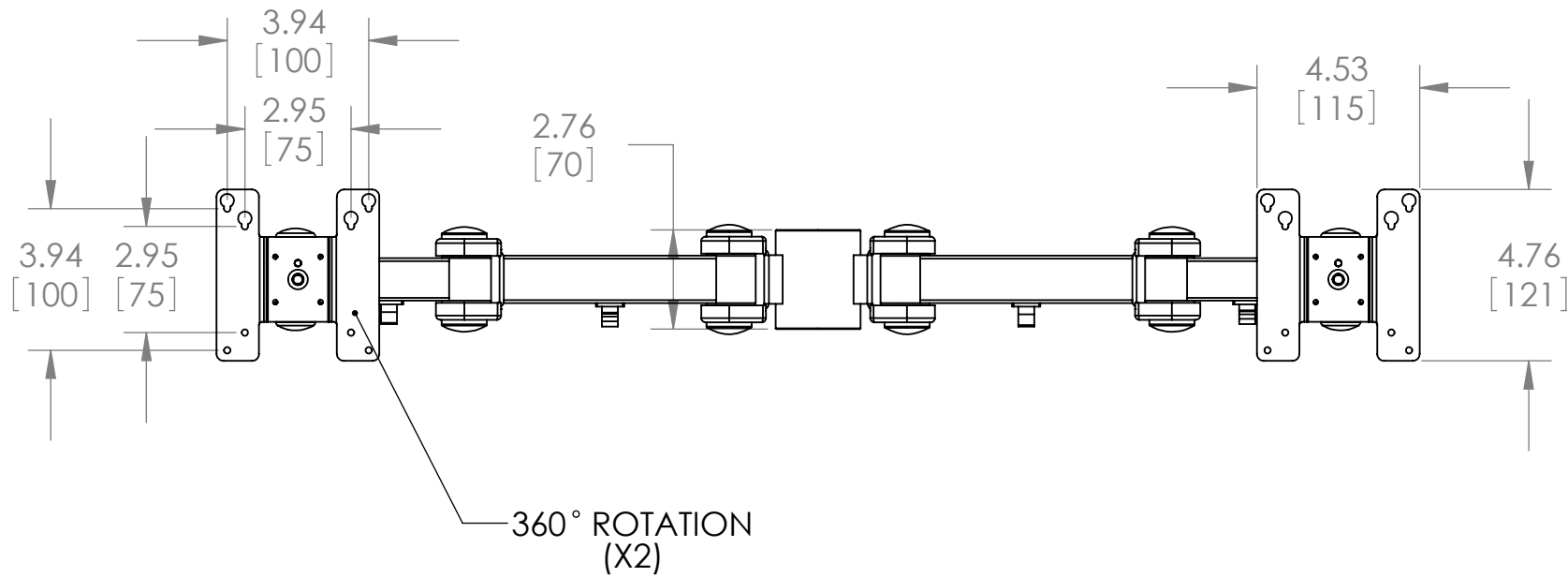
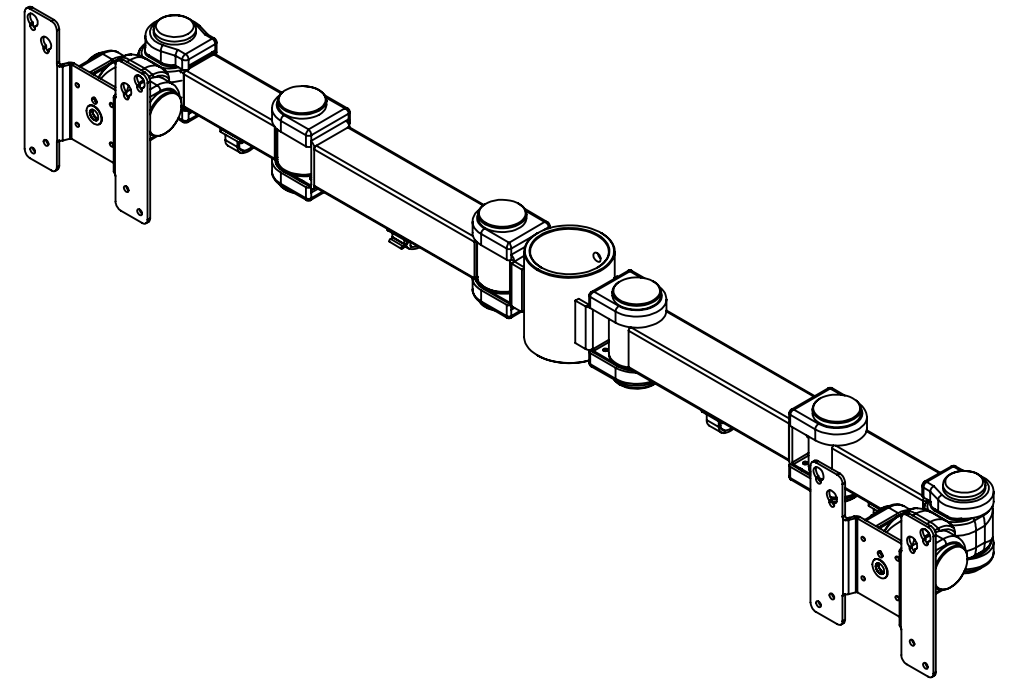
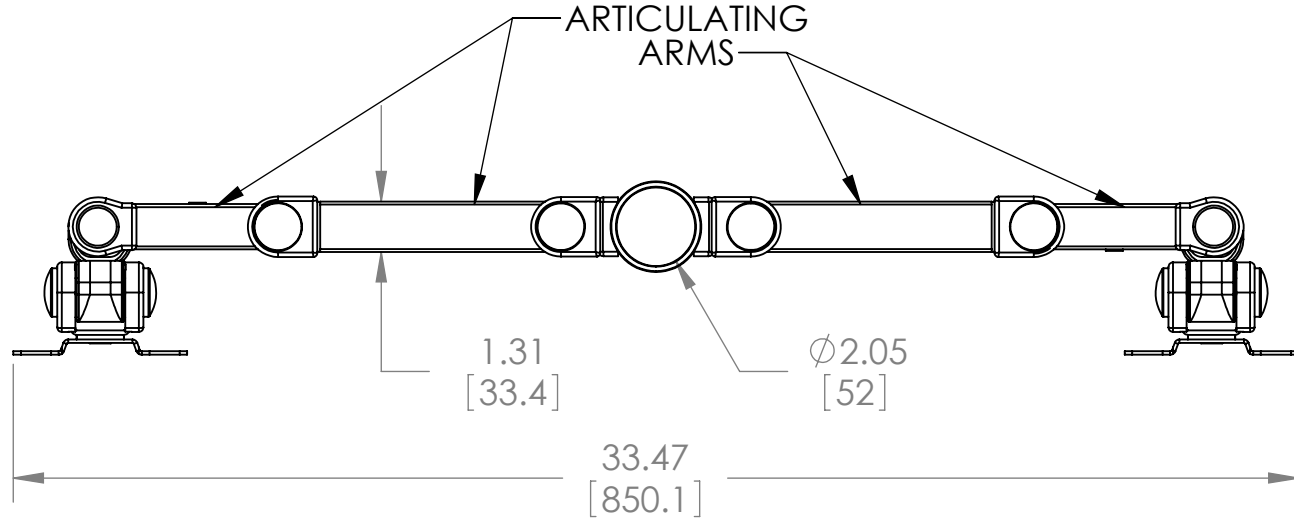
THE INFORMATION CONTAINED IN THIS DRAWING IS THE SOLE PROPERTY OF PREMIER MOUNTS DIVISION OF <PMPI> ANY REPRODUCTION IN PART OR WHOLE WITHOUT THE WRITTEN PERMISSION OF PREMIER MOUNTS DIVISION OF <PMPI> IS PROHIBITED.



205 Westwood Ave, Long Branch, NJ 07740
 Phone: 866-94 BOARDS (26273) / (732)-222-1511
 Fax: (732)-222-7088 | E-mail: sales@touchboards.com



SET SCREWS
(X2)



MOUNTS.COM

PREMIER MOUNTS®
 CREATING POSITIVE CUSTOMER EXPERIENCES
 3130 East Miraloma Avenue
 Anaheim, CA 92806
 P. 800.368.9700 - F. 800-832.4888

ITEM DESCRIPTION:

MM-A2

SIZE B DWG. NO.

SCALE: 1:5

SHEET 1 OF 1