

INSTALLATION INSTALLATIONS



PSD-TS
FLOOR STAND

NORTH AMERICA

3130 East Miraloma Avenue
Anaheim, CA 92806 USA
USA and Canada –
Phone: 800-368-9700
Fax: 800-832-4888

EUROPE

Swallow House,
Shilton Industrial Estate,
Shilton, Coventry, England CV79JY
Phone: +44 (0) 2476 614700
Fax: +44 (0) 2476 614710

AUSTRALIA, NEW ZEALAND, OCEANIA (Distributor)

P.O. Box 295
Mordialloc Victoria 3195
Australia
Phone: 03 9586 6330
www.premiermounts.com.au

Other Locations – Phone: (001)-714-632-7100; Fax: (001)-714-632-1044
©Premier Mounts 2008



Table of Contents

Warning Statements - 2 -

Parts List - 3 -

Installation Tools - 3 -

Features - 4 -

Support Pole Installation - 5 -

Adapter Installation - 5 -

Installing the Back Plate - 5 -

Attaching the Display - 6 -

Optional Items - 7 -

Warranty - 8 -

Warning Statements



PREMIER MOUNTS DOES NOT WARRANT AGAINST DAMAGE CAUSED BY THE USE OF ANY PREMIER MOUNTS PRODUCT FOR PURPOSES OTHER THAN THOSE FOR WHICH IT WAS DESIGNED OR DAMAGE CAUSED BY UNAUTHORIZED ATTACHMENTS OR MODIFICATIONS, AND IS NOT RESPONSIBLE FOR ANY DAMAGES, CLAIMS, DEMANDS, SUITS, ACTIONS OR CAUSES OF ACTION OF WHATEVER KIND RESULTING FROM, ARISING OUT OF OR IN ANY MANNER RELATING TO ANY SUCH USE, ATTACHMENTS OR MODIFICATIONS.



THE MOUNTING SURFACE MUST BE CAPABLE OF SUPPORTING 160LBS. IF NOT, THE MOUNTING SURFACE MUST BE REINFORCED. PROPER INSTALLATION PROCEDURE BY A QUALIFIED SERVICE TECHNICIAN, AS OUTLINED IN THE INSTALLATION INSTRUCTIONS, MUST BE ADHERED TO. FAILURE TO DO SO COULD RESULT IN SERIOUS PERSONAL INJURY, OR EVEN DEATH. THE OPTIONAL SHELF IS ONLY CAPABLE OF HOLDING 25LBS. OR LESS.



SAFETY MEASURES MUST BE PRACTICED AT ALL TIMES DURING THE INSTALLATION OF THIS PRODUCT. USE PROPER SAFETY GEAR AND TOOLS FOR THE INSTALLATION PROCEDURE TO PREVENT PERSONAL INJURY.



PRIOR TO THE INSTALLATION OF THIS PRODUCT, THE INSTALLATION INSTRUCTIONS SHOULD BE READ AND COMPLETELY UNDERSTOOD. THE INSTALLATION INSTRUCTIONS MUST BE READ TO PREVENT PERSONAL INJURY AND PROPERTY DAMAGE. KEEP THESE INSTALLATION INSTRUCTIONS IN AN EASILY ACCESSIBLE LOCATION FOR FUTURE REFERENCE.



Indicates that the power plug is to be disconnected from the power outlet.



Contact Premier Mounts with any questions – (800) 368-9700.



Safety precautions must be taken at all times.



Warning and Caution statements.



Do not install on a structure that is prone to vibration, movement or chance of impact. Failure to do so could result in damage to the flat panel display and/or damage to the mounting surface.



Do not install near heater, fireplace, direct sunlight, air conditioning or any other source of direct heat energy. Failure to do so may result in damage to the flat panel display and could increase the risk of fire.



At least two qualified people should perform the installation procedure. Injury and/or damage can result from dropping or mishandling the flat panel display.



 **Caution**

This stand is intended for use only with the maximum weights indicated. Use with products heavier than the maximum weights indicated may result in instability causing possible injury.



Parts List



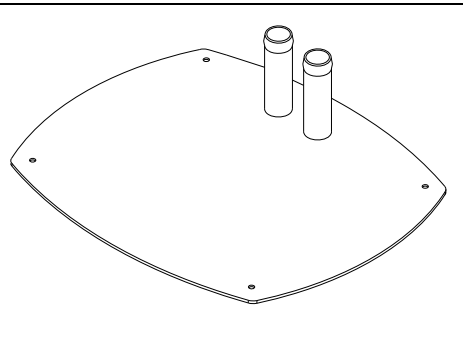
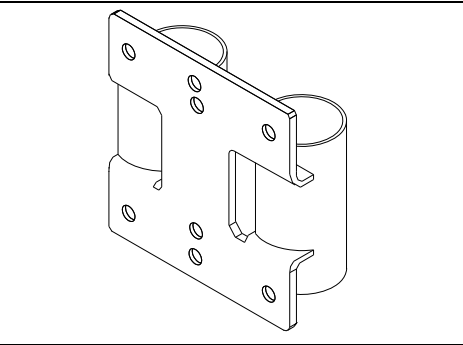
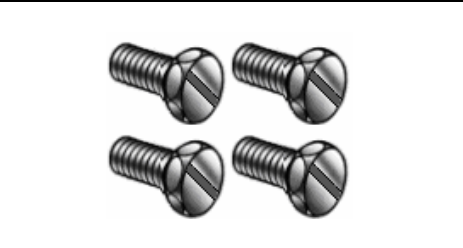
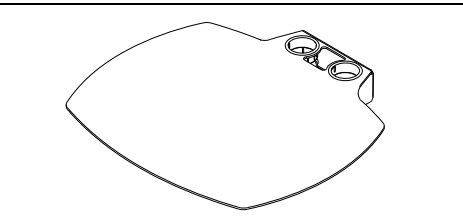
Note

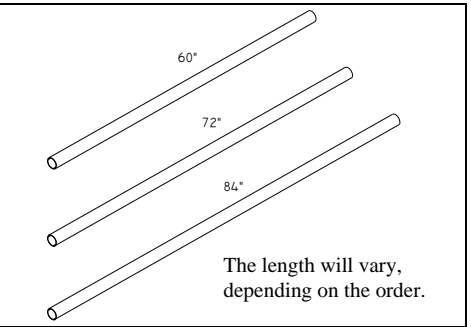
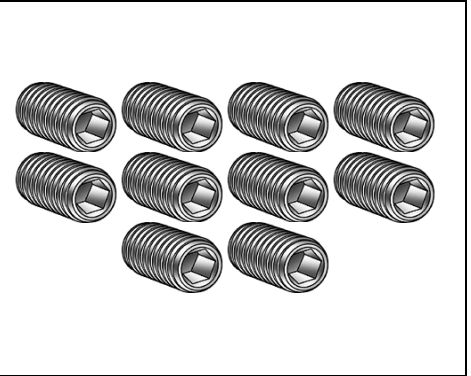
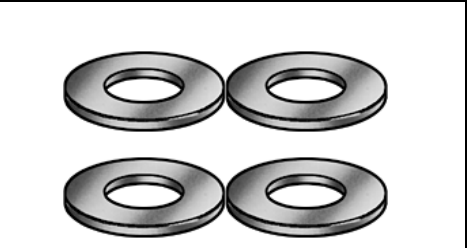
This floor stand is shipped with all proper installation hardware and components. Make sure that none of these parts are missing and/or damaged before beginning installation. If there are parts missing and/or damaged, please stop the installation and contact Premier Mounts (800-368-9700).



Note

Please review all WARNING and CAUTION statements (see Page 2) before beginning the installation of the PSD-TS.

<p>PSD TS Base (Qty 1)</p>	
<p>PSD-SPA Adapter (Qty 1)</p>	
<p>M10 x 12mm Slotted Hex Head (Qty 4)</p>	
<p>Shelf (Optional) NOTE: The shelf is only capable of holding 25Lbs. or less.</p>	

<p>Support Poles (Qty 2)</p>	 <p>The length will vary, depending on the order.</p>
<p>M8 x 10mm Set Screw (Qty 10)</p>	
<p>M10 Flat Washers (Qty 4)</p>	

Installation Tools

- Phillips Head Screw Driver
- Pencil
- 5/32" Allen Key (Supplied)

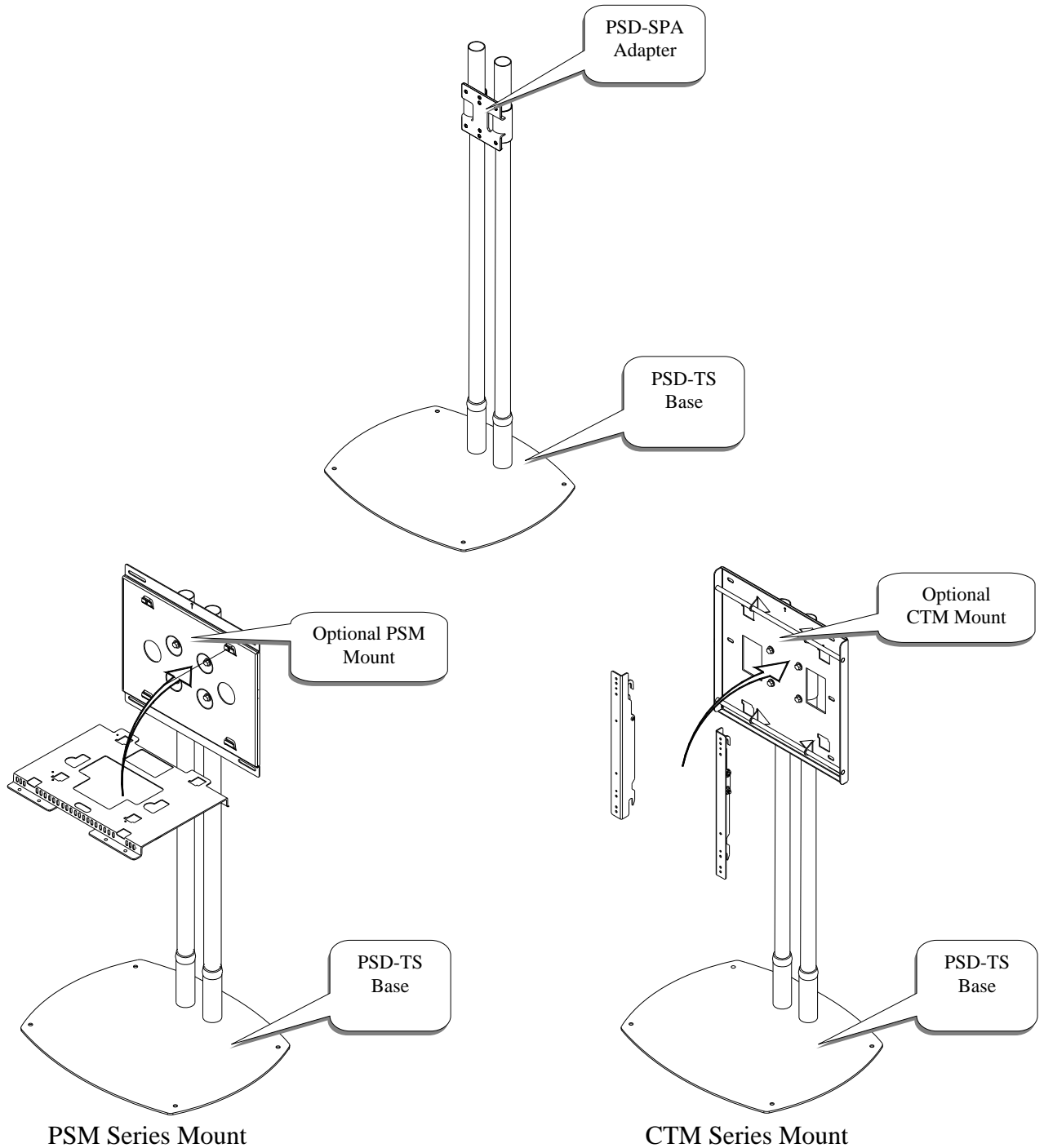
- Soft Material/Blanket
- Socket Wrench

- Drill Gun
- 17mm Socket



Features

Congratulations on the purchase of your new Premier Mounts PSD-TS Floor Stand. When combined with a mount, our floor stand allows you to place a display in a horizontal or vertical position (with the PSM mount only). The floor stand can be configured for single flat panel display. The height is adjustable to any point along the stand's vertical support poles to achieve the perfect viewing level. The PSD-TS mates directly to our CTM or PSM series of mounts.



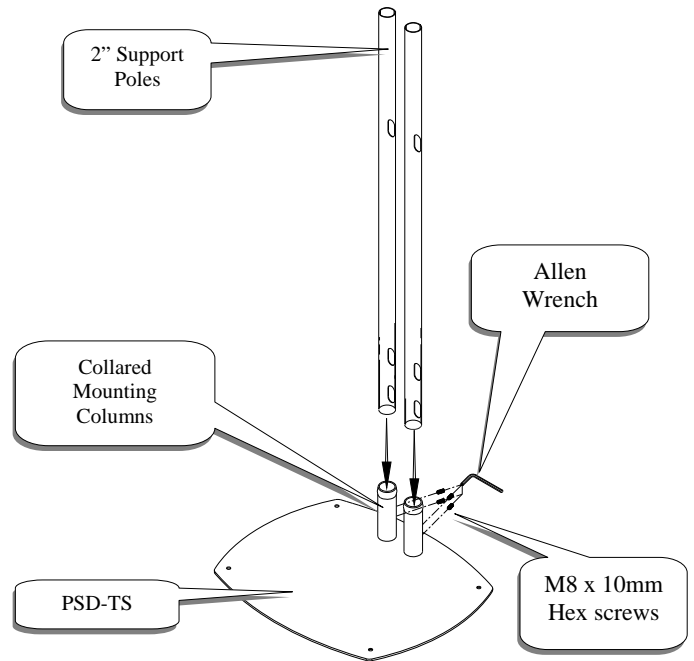


Support Pole Installation

Remove the stand out of the box and check for all proper hardware, if missing any hardware please call Premier Mounts.

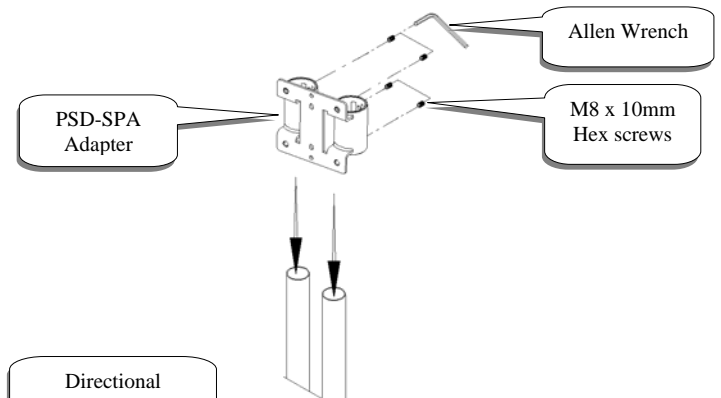
Note A PSM or CTM series mount is required to complete the PSD-TS system. Refer to the installation instructions to install the mounting bracket.

1. Insert the poles inside the base columns of the PSD-TS, making sure they are fully seated on the base with the cable access holes facing the rear of the base.
2. Secure the poles with four (4) M8 x 10mm socket head screws and tighten them using the Allen wrench (supplied).
3. Do not over tighten the screws.



Adapter Installation

1. Install the PSD-SPA (mount adapter) over the top of the poles and secure it at the desired height with the four (4) M8 x 10 Allen screws (supplied).
2. Use the Allen wrench (supplied) to secure the adapter to the poles.

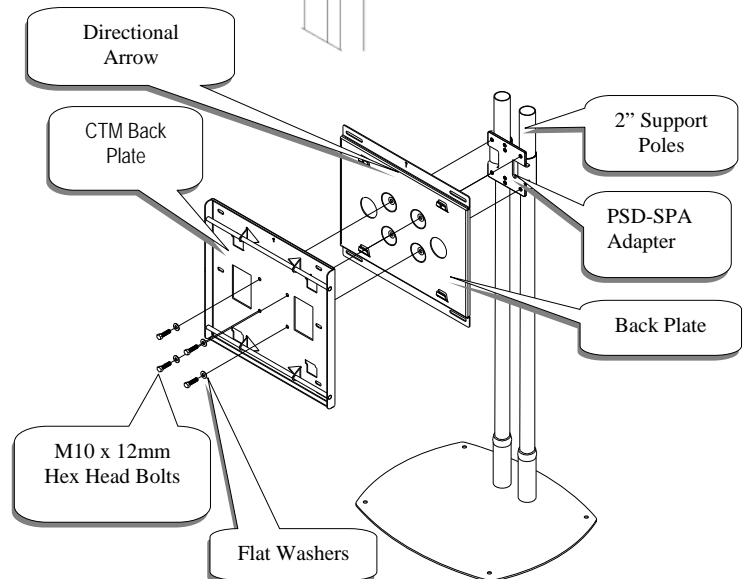


Installing the Back Plate

Note The back plate will vary depending on the system ordered. There are two (2) different systems for this stand: the PSM series and the CTM series.


Caution Arrow must be pointing up prior to installation. Secure the following plates to the secured PSD-SPA on the tubes.


1. For the PSM-Series, secure the back plate to the four (4) threaded mounting points found on the PSD-SPA with the four (4) M10 x 12 bolts and flat washers (supplied).
2. For the CTM-Series, secure the back plate to the four (4) threaded mounting points found on the PSD-SPA with the four (4) M10 x 12 bolts and flat washers (supplied).






Attaching the Display


 **Caution** The flat panel display is very heavy; two people are required to lift the flat panel and secure it to the stand.

 **Note** To install the PSM-series or CTM-series mounting brackets to the flat panel, refer to its installation instructions.

The diagrams (to the right) show the CTM and PCM series systems.

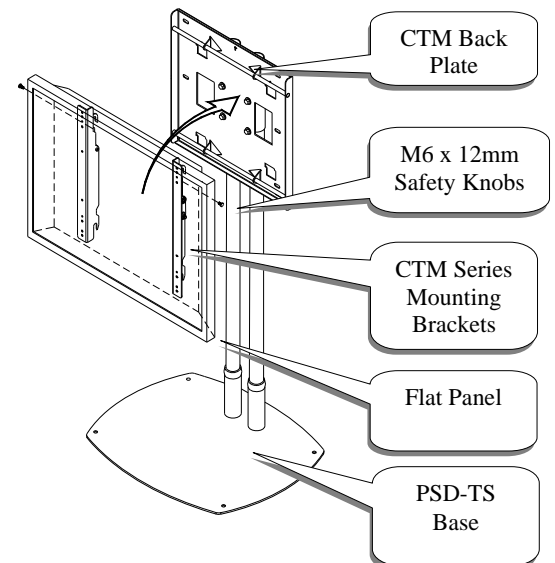
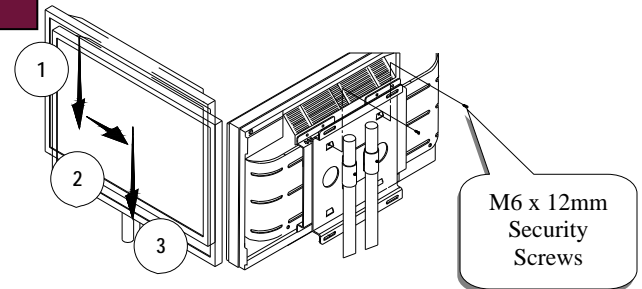
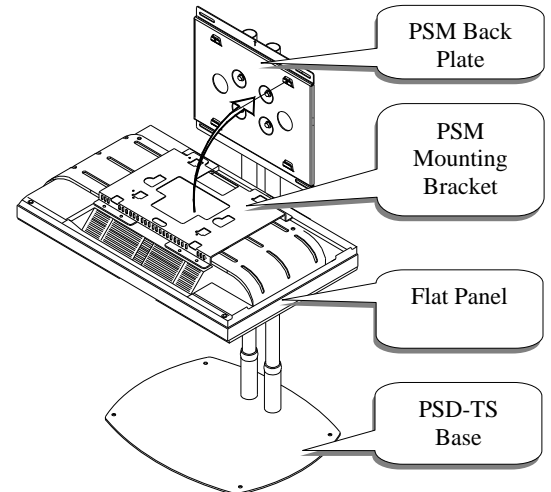
PSM-Series: Raise the flat panel display with the mounting bracket secured and insert the four (4) tab openings from the PSM mount to the four (4) receiving tabs found on the back plate
 Push the flat panel display down, right and down again to lock the mount together.
 Make sure all tab openings are interlocked with the receiving tabs before letting go of the flat panel.
 Secure the brackets with two (2) M6 x 12mm Phillips (supplied) screws for additional security.

 **Caution** Raise the flat panel display with the left and right brackets secured to the plasma and insert the bottom and top hooks from the mounting arms to the top and bottom rods found on the CTM back plate. Secure the mounting arms with the two (2) M6 x 12mm Safety knobs (supplied).

 **Caution** The safety knobs **MUST** be used. Failure to do so may result in damage to the flat panel display or personal injury.



This stand is intended for use only with the maximum weights indicated. Use with products heavier than the maximum weights indicated may result in instability causing possible injury.

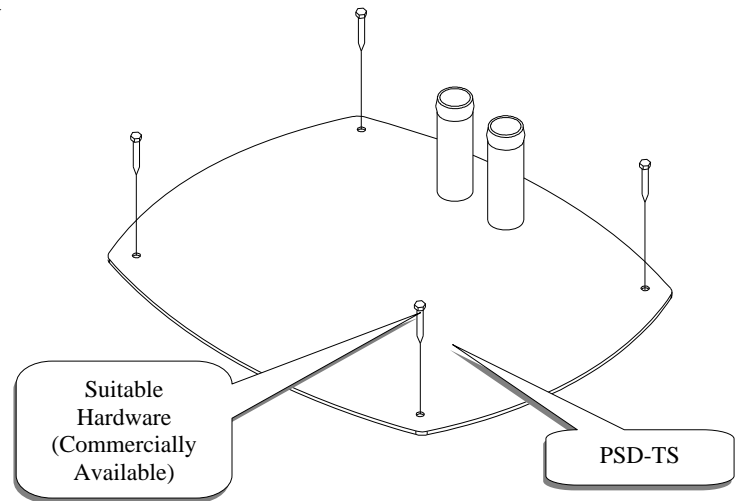





Optional Items


Floor Installation

1. If securing the base to the floor, use (commercially available) hardware.

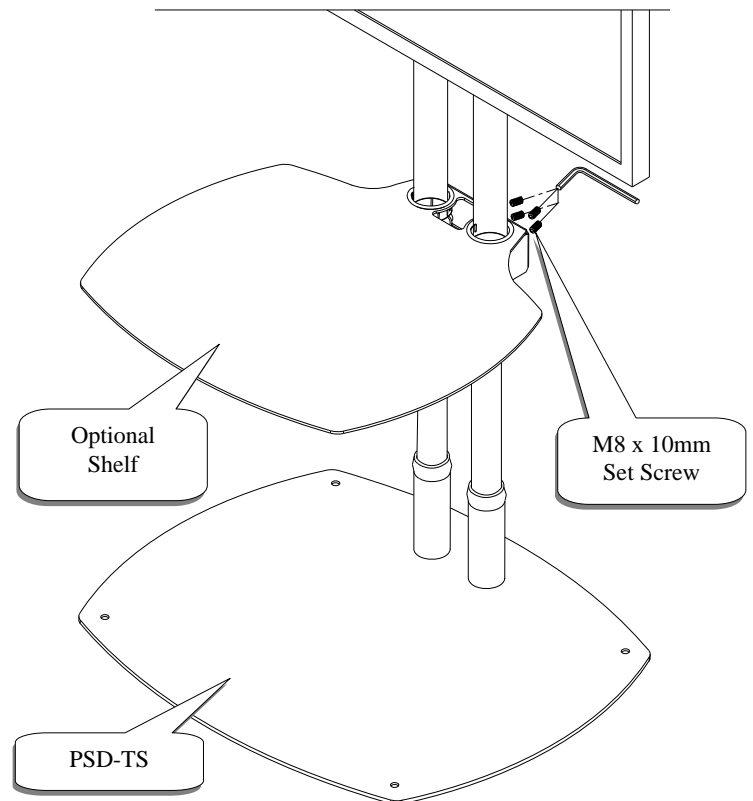


Shelf Installation

 **Caution** Do not install the optional shelf higher than 39”.

 **Note** If using a shelf, please install prior to attaching the display.

1. The shelf must be attached before the flat panel display and PSD-SPA adapter is installed to the stand.
2. Install the shelf to the poles by sliding the shelf over the poles and down into position.
3. Determine the final height and secure the shelf using four (4) M8 x 10mm set screws.
4. Tighten these screws using the supplied Allen wrench.





Warranty

PREMIER MOUNTS LIMITED LIFETIME WARRANTY

What and Who is Covered by this Limited Warranty and for How Long

Premier Mounts warrants this product to be free from defects in material and workmanship for the lifetime of the original owner of this product. The limited warranty is valid only for the original purchaser of the product.

What Premier Mounts Will Do

At the sole option of Premier Mounts, Premier Mounts will repair or replace any product or product part that is defective. If Premier Mounts chooses to replace a defective product or part, a replacement product or part will be shipped to you at no charge, but you must pay any labor costs.

What is Not Covered; Limitations

PREMIER MOUNTS DISCLAIMS ANY LIABILITY FOR DAMAGE TO MOUNTS, ADAPTERS, DISPLAYS, PROJECTORS, OTHER PROPERTY, OR PERSONAL INJURY RESULTING, IN WHOLE OR IN PART, FROM IMPROPER INSTALLATION, MODIFICATION, USE OR MISUSE OF ITS PRODUCTS.

PREMIER MOUNTS DISCLAIMS ALL OTHER WARRANTIES, EXPRESS OR IMPLIED, INCLUDING WARRANTIES OF MERCHANTABILITY AND FITNESS FOR A PARTICULAR PURPOSE. PREMIER MOUNTS IS NOT RESPONSIBLE FOR INCIDENTAL OR CONSEQUENTIAL DAMAGES, INCLUDING BUT NOT LIMITED TO, INABILITY TO USE ITS PRODUCTS OR LABOR COSTS FOR REMOVING AND REPLACING DEFECTIVE PRODUCTS OR PARTS. SOME STATES DO NOT ALLOW THE EXCLUSION OR LIMITATION OF INCIDENTAL OR CONSEQUENTIAL DAMAGES, SO THE ABOVE LIMITATION OR EXCLUSION MAY NOT APPLY TO YOU.

What Customers Must Do for Limited Warranty Service

If you discover a problem that you think may be covered by the warranty you **MUST REPORT** it in writing to the address below within thirty (30) days. Proof of purchase (an original sales receipt) from the original consumer purchaser must accompany all warranty claims. Warranty claims must also include a description of the problem, the purchaser's name, address, and telephone number. General inquiries can be addressed to Premier Mounts Customer Service at 1-800-368-9700. Warranty claims will not be accepted over the phone or by fax.

Premier Mounts
Attn: Warranty Claim
3130 E. Miraloma Avenue
Anaheim, CA 92806

How State Law Applies

THIS WARRANTY GIVES YOU SPECIFIC LEGAL RIGHTS, AND YOU MAY ALSO HAVE OTHER RIGHTS WHICH VARY FROM STATE TO STATE.