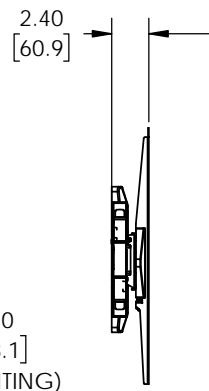
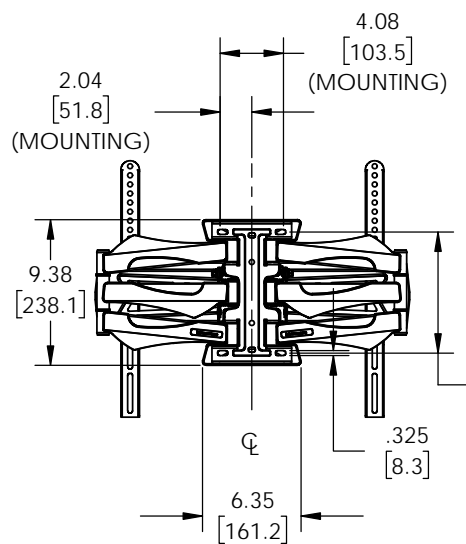
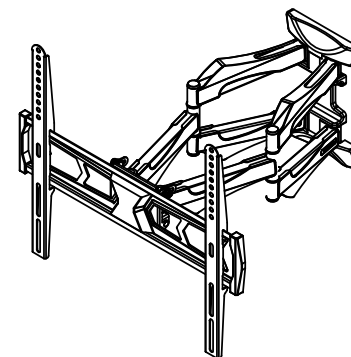
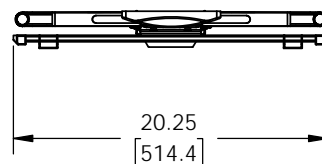
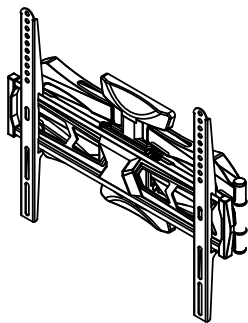
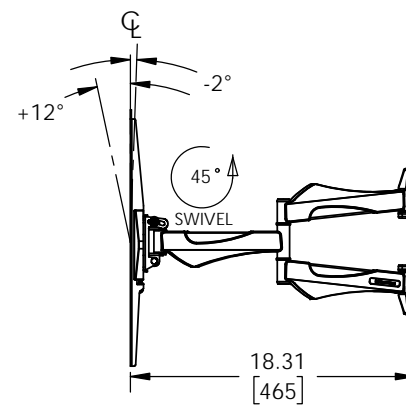
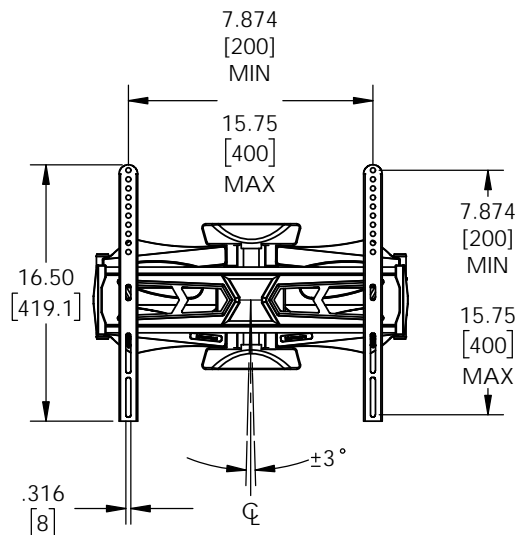


THE INFORMATION CONTAINED IN THIS DRAWING IS THE SOLE PROPERTY OF PREMIER MOUNTS DIVISION OF <PMPI>. ANY REPRODUCTION IN PART OR WHOLE WITHOUT THE WRITTEN PERMISSION OF PREMIER MOUNTS DIVISION OF <PMPI> IS PROHIBITED.




COLLAPSED



FULLY EXTENDED

PREMIERMOUNTS.COM

MAXIMUM WEIGHT CAPACITY 65 LBS
DIMENSION ARE IN INCH AND [MM]

 PREMIER MOUNTS 1321 South State College Blvd Fullerton Ca, 92831 P. 800.368.9700 - F. 800.832.4888	
ITEM DESCRIPTION: LOW PROFILE ULTRA-SLIM SWINGOUT MOUNT	
SIZE B	DWG. NO. AM65
SCALE: 1:8	SHEET 1 OF 1