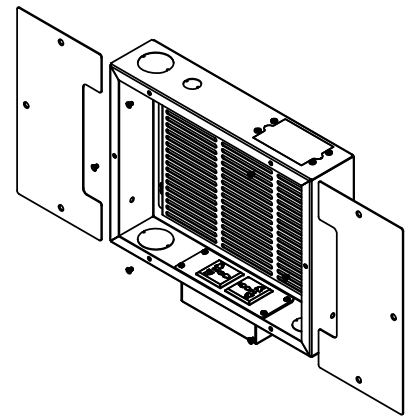
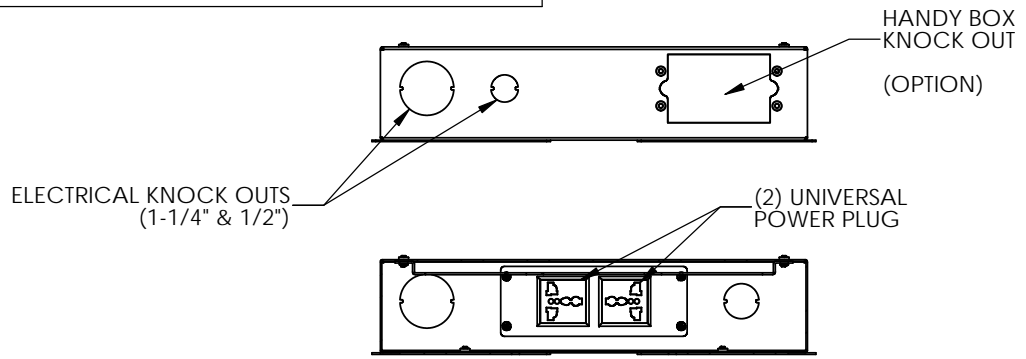
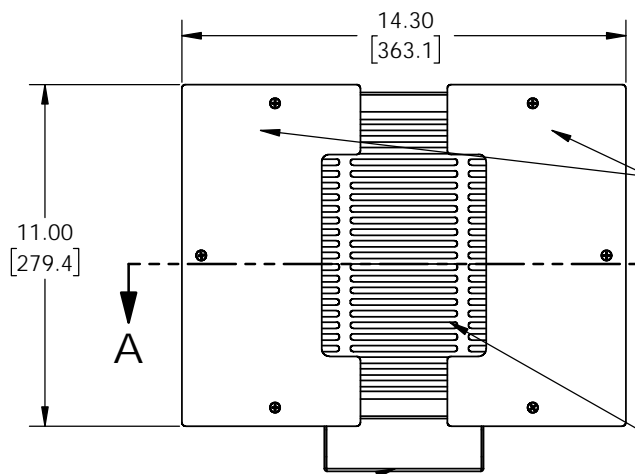
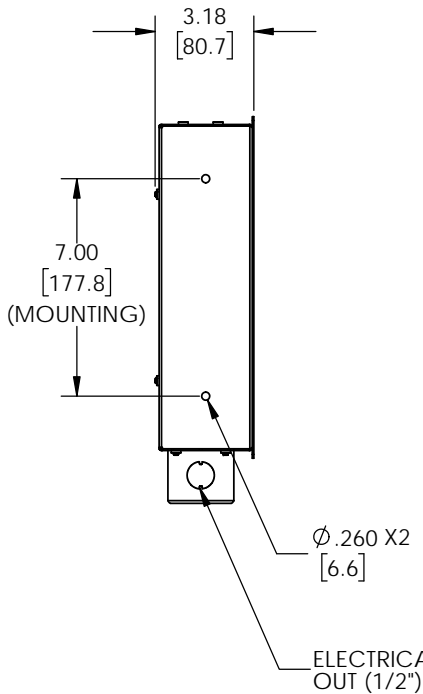


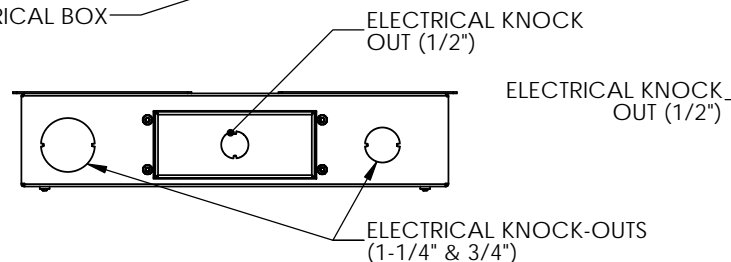
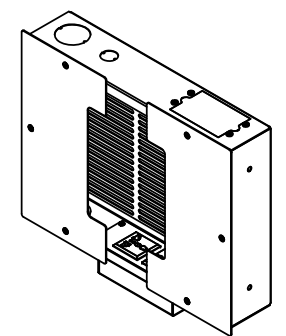
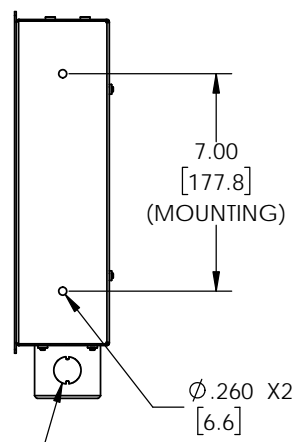
THE INFORMATION CONTAINED IN THIS DRAWING IS THE SOLE PROPERTY OF PREMIER MOUNTS DIVISION OF <PMPI>. ANY REPRODUCTION IN PART OR WHOLE WITHOUT THE WRITTEN PERMISSION OF PREMIER MOUNTS DIVISION OF <PMPI> IS PROHIBITED.




SECTION A-A



REMOVABLE PANELS (OPTIONAL SINGLE BLANK PLATE)  
 MEDIA PLAYER REMOVABLE PLATE



 <b>PREMIER MOUNTS</b> 1321 South State College Blvd Fullerton Ca, 92831 P. 800.368.9700 - F. 800.832.4888	
ITEM DESCRIPTION: <b>AM95 INWALL BOX</b>	
SIZE B	DWG. NO. INW-AM95
SCALE: 1:4	
SHEET 1 OF 1	