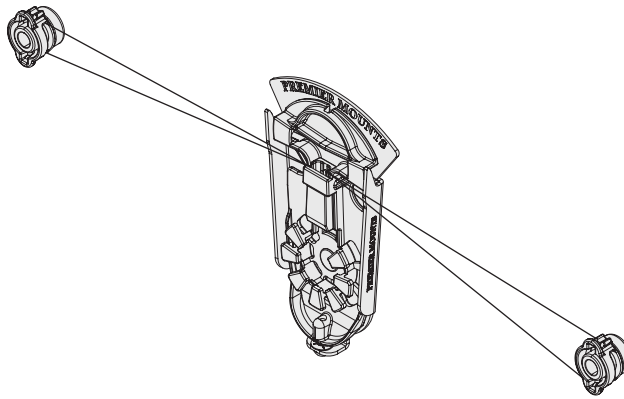

CMF

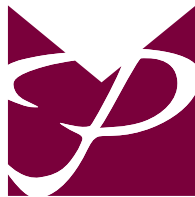
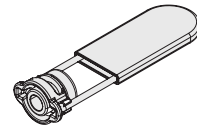
Low-Profile Cable Mount for Flat-Panels up to 55"

INSTALLATION INSTRUCTIONS



Touchboards

205 Westwood Ave, Long Branch, NJ 07740
Phone: 866-94 BOARDS (26273) / (732)-222-1511
Fax: (732)-222-7088 | E-mail: sales@touchboards.com



**PREMIER
MOUNTS®**

CREATING POSITIVE CUSTOMER EXPERIENCES



Contents

Weight Limit..... 2

Warning Statements..... 2

Installation Tools..... 3

Parts List..... 3

Features..... 4

Installing the Mount Sliding Plate to a Wood Stud..... 5

Using the Kickstand..... 8

Technical Specifications..... 8

Warranty..... 9

Weight Limit

Maximum Flat Panel Weight: **65 lbs.**

THE WALL STRUCTURE MUST BE CAPABLE OF SUPPORTING AT LEAST FIVE TIMES THE WEIGHT OF THE FLAT PANEL. IF NOT, THE WALL STRUCTURE MUST BE REINFORCED.

Warning Statements



PRIOR TO THE INSTALLATION OF THIS PRODUCT, THE INSTALLATION INSTRUCTIONS MUST BE READ AND COMPLETELY UNDERSTOOD. KEEP THESE INSTALLATION INSTRUCTIONS IN AN EASILY ACCESSIBLE LOCATION FOR FUTURE REFERENCE.



PROPER INSTALLATION PROCEDURE BY A QUALIFIED SERVICE TECHNICIAN MUST BE FOLLOWED, AS OUTLINED IN THESE INSTALLATION INSTRUCTIONS. FAILURE TO DO SO COULD RESULT IN PROPERTY DAMAGE, SERIOUS PERSONAL INJURY, OR EVEN DEATH.



SAFETY MEASURES MUST BE PRACTICED AT ALL TIMES DURING THE ASSEMBLY OF THIS PRODUCT. USE PROPER SAFETY EQUIPMENT AND TOOLS FOR THE ASSEMBLY PROCEDURE TO PREVENT PERSONAL INJURY.



PREMIER MOUNTS DOES NOT WARRANT AGAINST DAMAGE CAUSED BY THE USE OF ANY PREMIER MOUNTS PRODUCT FOR PURPOSES OTHER THAN THOSE FOR WHICH IT WAS DESIGNED OR DAMAGE CAUSED BY UNAUTHORIZED ATTACHMENTS OR MODIFICATIONS, AND IS NOT RESPONSIBLE FOR ANY DAMAGES, CLAIMS, DEMANDS, SUITS, ACTIONS OR CAUSES OF ACTION OF WHATEVER KIND RESULTING FROM, ARISING OUT OF OR IN ANY MANNER RELATING TO ANY SUCH USE, ATTACHMENTS OR MODIFICATIONS.



Be aware of the mounting environment. If drilling and/or cutting into the mounting surface, always make sure that there are no electrical wires in wall. Cutting or drilling into an electrical line may cause serious personal injury.



Make sure there are no water or natural gas lines inside the wall where the mount is to be located. Cutting or drilling into a water or gas line may cause severe property damage or personal injury.



This product is intended for indoor use only. Use of this product outdoors could lead to product failure and/or serious personal injury.



Do not install near sources of high heat. Do not install on a structure that is prone to vibration, movement or chance of impact.


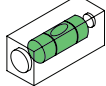



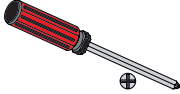
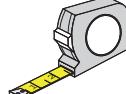
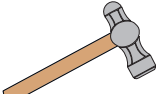


Contact Premier Mounts with any questions:
(800) 368-9700
techsupport@mounts.com



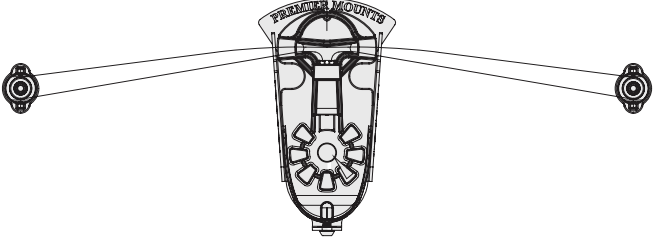
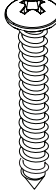
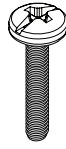
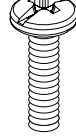
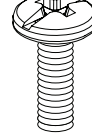
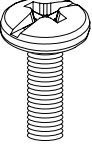

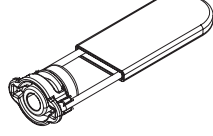





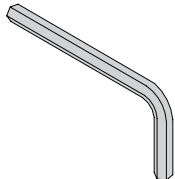
Installation Tools

The following tools may be required depending on your installation.

 Electronic Stud Finder	 Level	 1/8" Drill Bit	 Hand Held Drill
 Pencil	 Phillips Tip Screwdriver	 Tape Measure	 Hammer

Parts List

Make sure none of the Premier Mounts parts are missing and/or damaged before beginning installation. If there are, stop the installation and call Premier Mounts at (800) 368-9700.

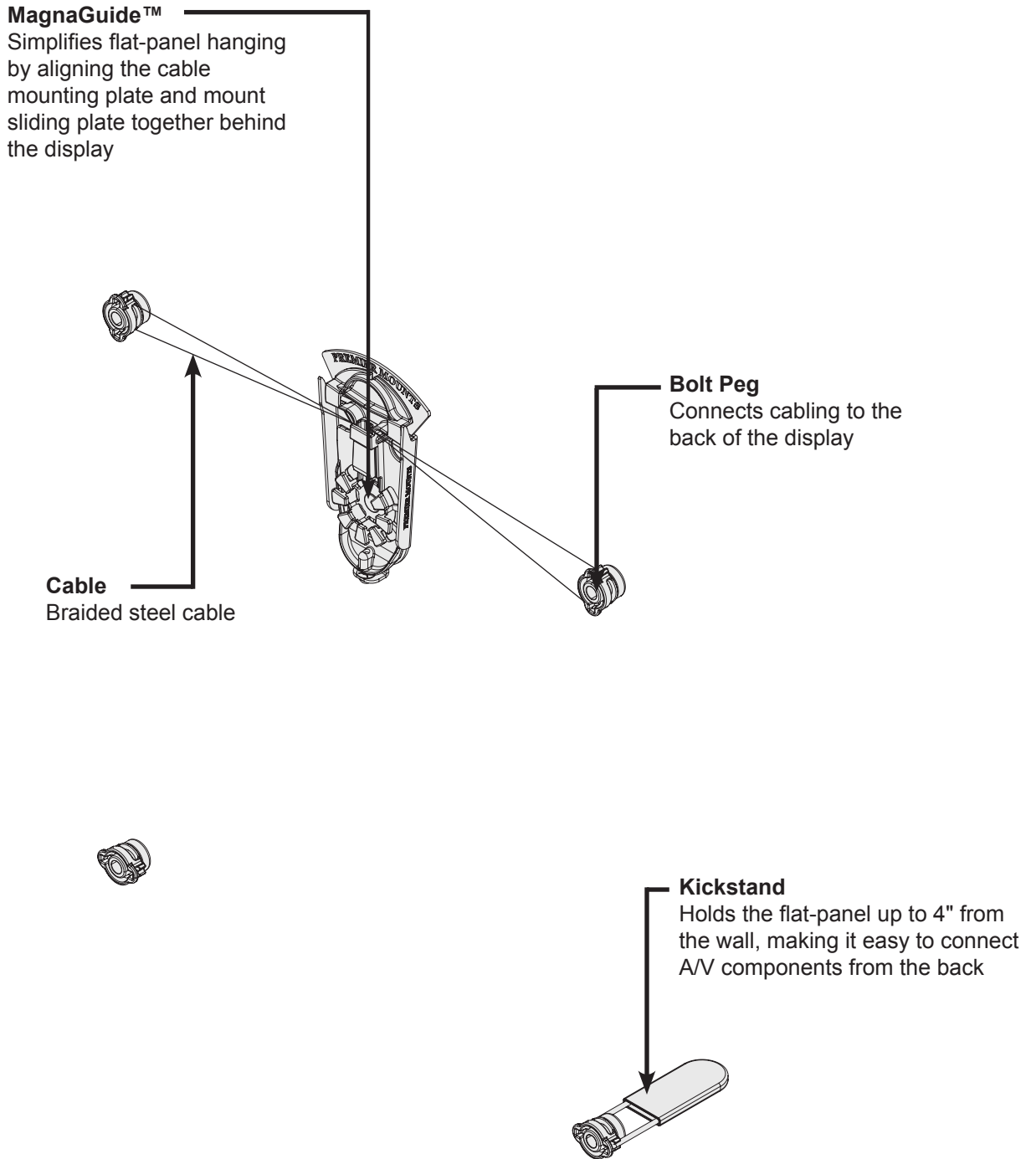
CMF Components					
 CMF (Qty 1)		 #10 x 1 3/4" Wood Screw (Qty 2)	 M4 x 20mm Pan Combo Screw (Qty 4)		
		 M5 x 20mm Pan Combo Screw (Qty 4)	 M6 x 20mm Pan Combo Screw (Qty 4)		
 M8 x 20mm Pan Combo Screw (Qty 4)	 Bolt Spindle (Qty 1)	 Bolt Spindle with Kickstand (Qty 1)	 Spindle Extension (Qty 4)	 M4 Spacer (Qty 4)	 M5 Spacer (Qty 4)
				 M6 Spacer (Qty 4)	
 Black Vinyl Cap (Qty 4)	 M5 Security Allen Wrench (Qty 1)				



Features

Premier Mounts' Low-Profile Cable Mount for Flat-Panels up to 55" (CMF) makes installing a flat-panel as simple as hanging a picture frame. The CMF's slim design and patent-pending magnetically assisted installation feature, MagnaGuide®, makes it the ideal flat-panel accessory for fast and simple installations. This cable mount easily installs on a single stud and to hold flat-panel displays up to 55", or up to 65 lbs with a 200 × 200mm to 600 × 400mm VESA mounting pattern.

Use the collapsible wall stand-off leg, included on one of the bottom flat-panel anchors, to prop up the flat-panel for easy A/V and power access. Add spacers, which are included with the cable mount kit, to align the display or to create more room between the display and wall.





Installing the Mount Sliding Plate to a Wood Stud

- 1 Remove the mount sliding plate from the cable mounting plate (Figure 1).
- 2 Use a stud finder and pencil to mark the center of a wall stud.
- 3 Place the mount sliding plate on wall and align its screw holes with the center mark.



The visual centering diamond on the mount sliding plate will help you determine where the center of the flat-panel will be on the wall (Figure 1).

- 4 Use a pencil to mark the two (2) screw hole locations along the stud (Figure 2).
- 5 Remove the mount sliding plate.
- 6 Drill two (2) holes in the center of each screw hole location using a power drill and a 1/8" drill bit (Figure 3).



Only use a 1/8" drill bit when drilling holes.

- 7 Place the mount sliding plate against the wall and align it with the holes.
- 8 Insert one (1) #10 x 1 3/4" wood screw into each mounting hole of the mount sliding plate (Figure 4).



Do not overtighten the wood screws.

Go to the **"Attaching the Bolt Spindles to the Flat-Panel"** section on page 6.

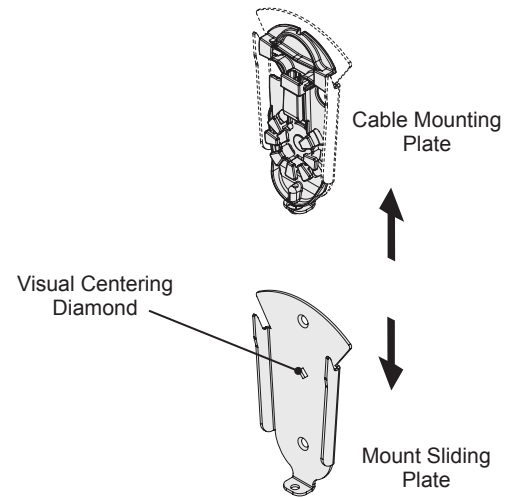


Figure 1

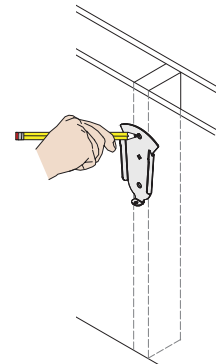


Figure 2

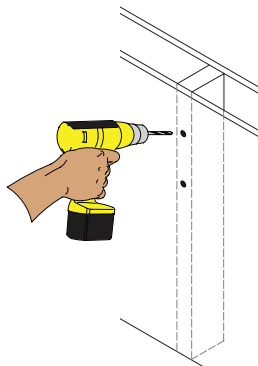


Figure 3

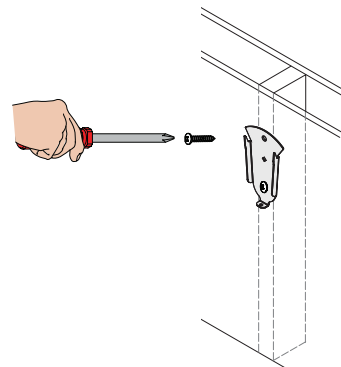


Figure 4



Attaching the Bolt Spindles to the Flat-Panel

- 1 Refer to the flat-panel installation instructions to determine the type of screws you will use in the mounting installation.

M4, M5, M6 and M8 screws are supplied with the CMF.

- 2 Insert the appropriate screw and spacer into each bolt spindle (Figure 1).

If the flat-panel has a rear protrusion greater than the depth of the bolt spindles, attach one (1) spindle extension to each of the bolt spindles (Figure 2). The spindle extensions add 1/2" in depth.

- 3 Attach the two (2) bolt spindles that are attached to the cable mounting plate to the top two (2) mounting locations on the back of the flat-panel (Figure 3).

You may need to loosen the cabling by simultaneously pushing down the lever on the back of the cable mounting plate and pulling the bolt spindle cabling (Figure 4).

- 4 Attach the two (2) loose bolt spindles to the bottom two (2) mounting locations on the back of the flat-panel (Figure 5).

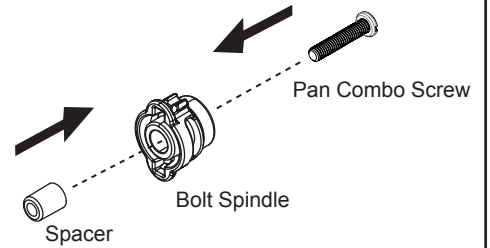


Figure 1

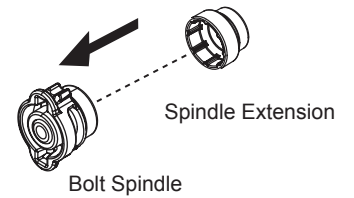


Figure 2

Continue on page 7.

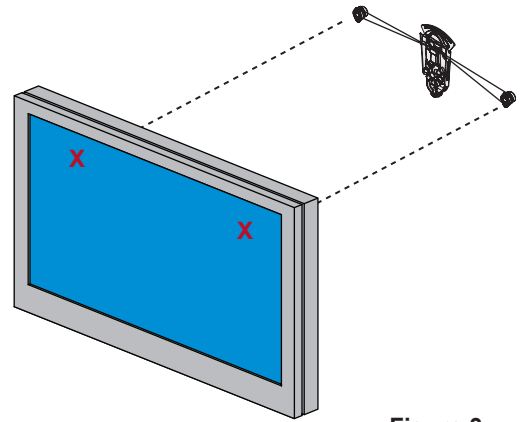


Figure 3

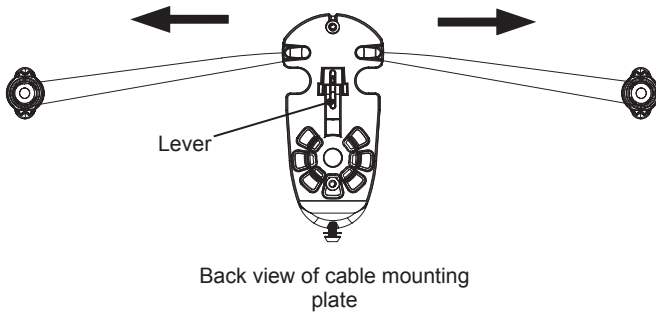


Figure 4

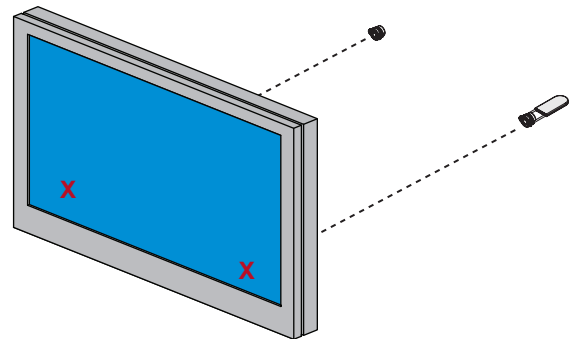


Figure 5



Attaching the Bolt Spindles to the Flat-Panel (cont'd)

- 1 Attach one (1) black vinyl cap to each of the bolt spindles (Figure 1).
- 2 Pull on the crimp at the end of the cables to tighten the tension on the bolt spindle cabling (Figure 2).
- 3 Wrap the excess cabling around the teeth on the cabling mounting plate, then tuck the crimp inside (Figure 3).

Continue to the **“Attaching the Flat Panel to the Wall”** section below.

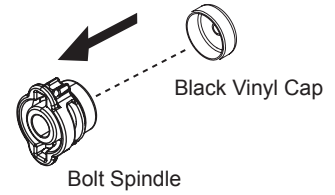
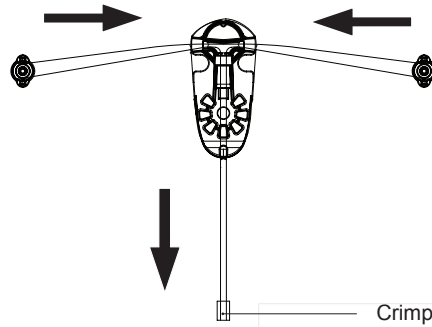
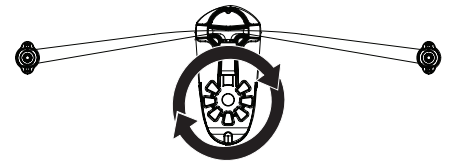


Figure 1



Flat-panel not shown.

Figure 2





Wrap excess cabling around the plastic teeth

Figure 3

Attaching the Flat-Panel to the Wall

- 1 Slide the flat-panel and cable mounting plate into the mount sliding plate on the wall (Figure 1).

 At least two qualified persons are needed to perform this step.

 Use the CMF's MagnaGuide™ feature to easily align the plates together.

- 2 Use the M5 security Allen wrench and pre-installed M5 x 16mm security screw to secure the cable mounting plate to the mount sliding plate (Figure 2).

Go to the **“Using the Kickstand”** section on page 8.

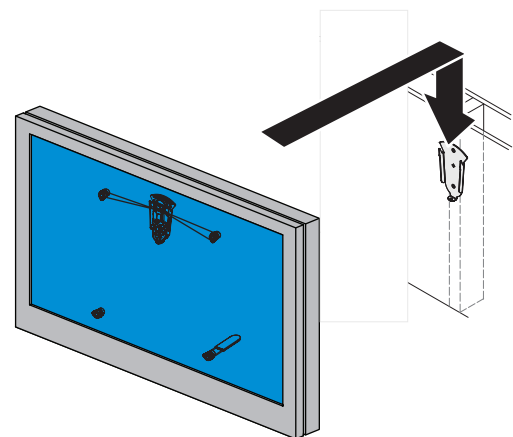


Figure 1

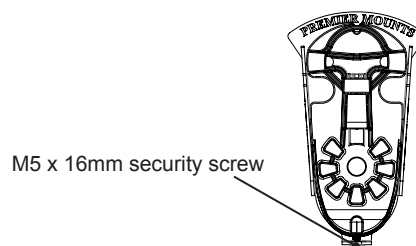
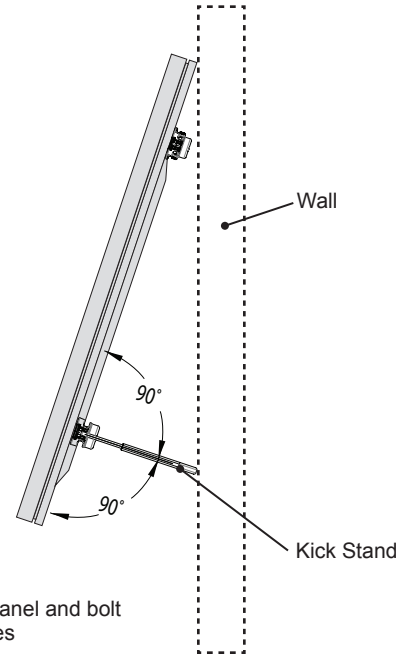


Figure 2



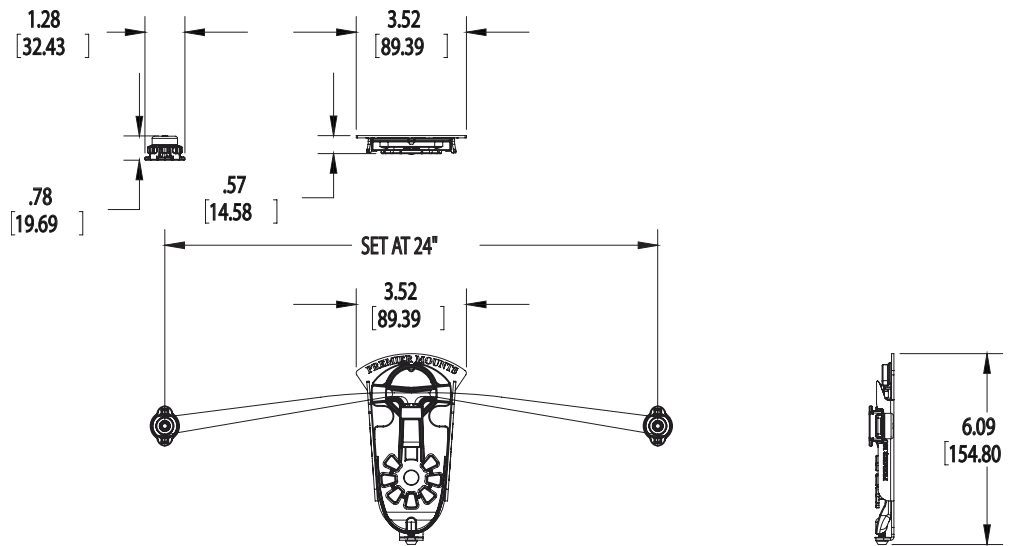
Using the Kickstand

Use the kickstand on the lower bolt spindle to prop up the flat-panel for easy power and cable management.



Technical Specifications

All measurements are in inches [millimeters].





Warranty

PREMIER MOUNTS LIMITED LIFETIME WARRANTY

What and Who is Covered by this Limited Warranty and for How Long

Premier Mounts warrants this product to be free from defects in material and workmanship for the lifetime of the original owner of this product. The limited warranty is valid only for the original purchaser of the product.

What Premier Mounts Will Do

At the sole option of Premier Mounts, Premier Mounts will repair or replace any product or product part that is defective. If Premier Mounts chooses to replace a defective product or part, a replacement product or part will be shipped to you at no charge, but you must pay any labor costs.

What is Not Covered; Limitations

PREMIER MOUNTS DISCLAIMS ANY LIABILITY FOR DAMAGE TO MOUNTS, ADAPTERS, DISPLAYS, PROJECTORS, OTHER PROPERTY, OR PERSONAL INJURY RESULTING, IN WHOLE OR IN PART, FROM IMPROPER INSTALLATION, MODIFICATION, USE OR MISUSE OF ITS PRODUCTS.

PREMIER MOUNTS DISCLAIMS ALL OTHER WARRANTIES, EXPRESS OR IMPLIED, INCLUDING WARRANTIES OF MERCHANTABILITY AND FITNESS FOR A PARTICULAR PURPOSE. PREMIER MOUNTS IS NOT RESPONSIBLE FOR INCIDENTAL OR CONSEQUENTIAL DAMAGES, INCLUDING BUT NOT LIMITED TO, INABILITY TO USE ITS PRODUCTS OR LABOR COSTS FOR REMOVING AND REPLACING DEFECTIVE PRODUCTS OR PARTS. SOME STATES DO NOT ALLOW THE EXCLUSION OR LIMITATION OF INCIDENTAL OR CONSEQUENTIAL DAMAGES, SO THE ABOVE LIMITATION OR EXCLUSION MAY NOT APPLY TO YOU.

What Customers Must Do for Limited Warranty Service

If you discover a problem that you think may be covered by the warranty you MUST REPORT it in writing to the address below within thirty (30) days. Proof of purchase (an original sales receipt) from the original consumer purchaser must accompany all warranty claims. Warranty claims must also include a description of the problem, the purchaser's name, address, and telephone number. General inquiries can be addressed to Premier Mounts Customer Service at 1-800-368-9700. Warranty claims will not be accepted over the phone or by fax.

Premier Mounts
Attn: Warranty Claim
3130 East Miraloma Ave.
Anaheim, CA 92806

How State Law Applies

THIS WARRANTY GIVES YOU SPECIFIC LEGAL RIGHTS, AND YOU MAY ALSO HAVE OTHER RIGHTS WHICH VARY FROM STATE TO STATE.

Disclaimer

Premier Mounts intends to make this manual accurate and complete. However, Premier Mounts makes no claim that the information contained herein covers all details, conditions or variations, nor does it provide for every possible contingency in connection with the installation or use of this product. The information contained in this document is subject to change without notice or obligation of any kind. Premier Mounts makes no representation of warranty, expressed or implied, regarding the information contained herein. Premier Mounts assumes no responsibility for accuracy, completeness or sufficiency of the information contained in this document.

Contact Us

NORTH AMERICA

3130 East Miraloma Avenue
Anaheim, CA 92806 USA
USA and Canada
Phone: 1-800-368-9700
Fax: 1-800-832-4888
Other Locations
Phone: (001) 714-632-7100
Fax: (001) 714-632-1044

EUROPE

Unit 3, The Moorings Business Park,
Channel Way, Longford,
Coventry, CV6 6RH, UK
Phone: +44 (0) 24 7664 4105
Fax: +44 (0) 24 7664 4165