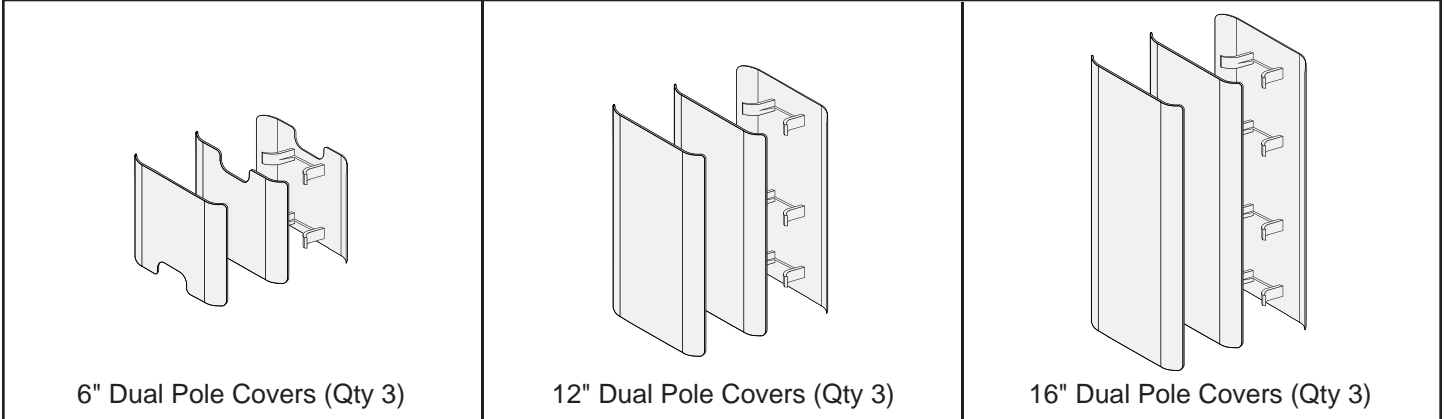




CMP INSTALLATION INSTRUCTIONS

Product Contents



CMP Features

- Quick Install - CMP covers snap in to place without requiring hardware or tools.
- Brandable - Your CMP's durable textured surface allows you to easily and securely attach your corporate logo, trade show signage, or other collateral.

CMP Installation

Step 1

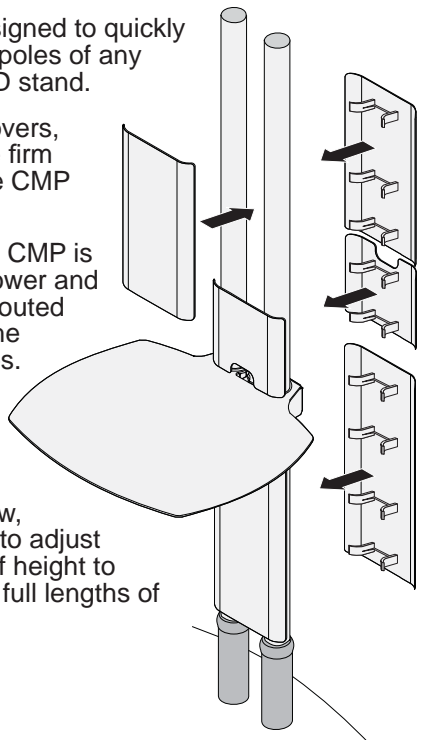
CMP covers are designed to quickly install onto the dual poles of any Premier Mounts PSD stand.

Arrange the CMP covers, as desired, then use firm pressure to snap the CMP covers into place.

The cutout on the 6" CMP is designed to allow power and signal cables to be routed when using any of the optional PSD shelves.



Although you can cut the CMP covers to length using a fine-tooth saw, you may want to adjust your PSD shelf height to accommodate full lengths of CMP covers.



Flat panel and mount not shown.

Step 2

The tension clips on each of the CMP covers are vertically offset from each other when the CMP covers are inverted. This allows you to install the CMP covers to the front and the back of the dual-poles.

