

Elliptical Floor Stand Base with PSD-HDCA Adapter

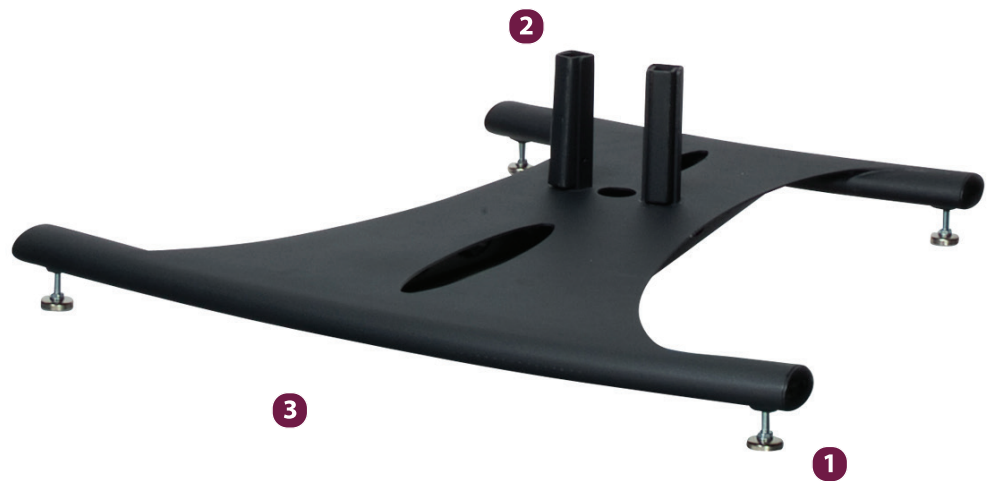
Model: **EB-BASE**

Weight Capacity: 200 lb / 90.9 kg.

Features

- 1** Elliptical floor stand can be used as a static stand or mobile display
 - 2** Can be used with dual 60, 72 and 84 in. poles
 - 3** Includes PSD-HDCA Single Display Adapter
- PSD-HDCA attaches to Premier Mounts' cart & stand configurations in less than a minute, and allows displays to be mounted to adapter before or after the PSD-HDCA is attached to the stand

The EB-BASE is an Elliptical Floor Stand Base designed to be easily moved through narrow door frames and tight spaces while maintaining a high level of stability. It comes with leveling feet or casters. Flat panels can be mounted anywhere along the poles using the included PSD-HDCA Adapter, which attaches to the stand in less than a minute with the included tool.



Touchboards

205 Westwood Ave, Long Branch, NJ 07740
Phone: 866-94 BOARDS (26273) / (732)-222-1511
Fax: (732)-222-7088 | E-mail: sales@touchboards.com



EB-BASE Dual-Pole floor stands can be static or mobile



Can be used with a variety of Premier Mounts' Dual-Pole products, including 60", 72", and 84" sets



The PSD-HDCA Adapter attaches to stand configurations in under a minute

Elliptical Floor Stand Base with PSD-HDCA Adapter

EB-BASE

Specifications

Weight 54 lb. 24.5 kg	Color Black	Weight Capacity 200 lb. 90.9 kg
Width x Height x Depth 36.2 x 8.4 x 34.2 in. 919 x 213 x 869 mm	Warranty Lifetime	

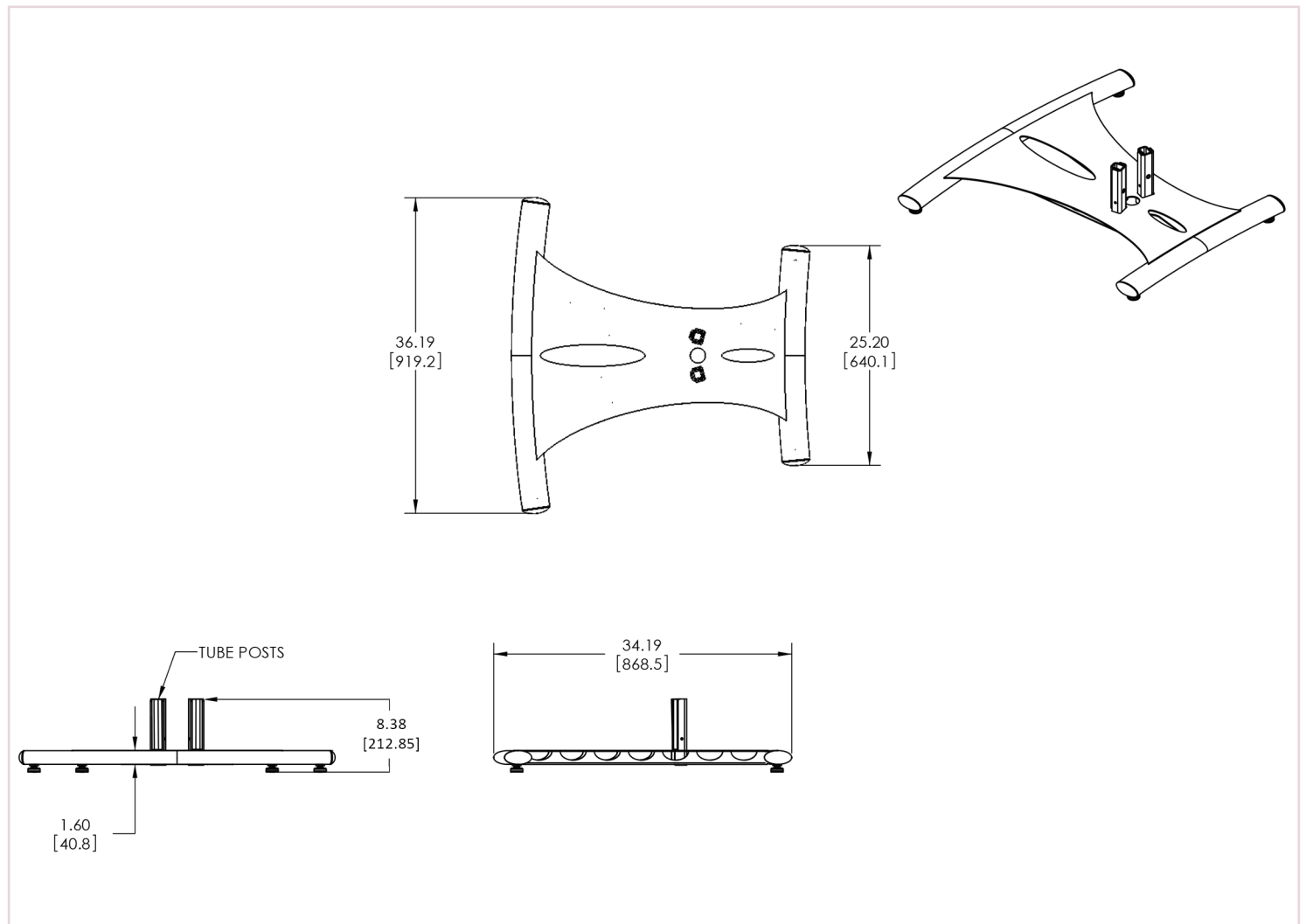
Packaging

Width x Height x Depth 36.75 x 8.75 x 38.5 in. 933 x 222 x 978 mm	Contents PSD-HDCA (x1), Base (x1), Universal Hardware Pack (x1)
---	---

Accessories

 <p>Set of 72 in. Chrome Replacement Poles T72</p>	 <p>Set of 72 in. Chrome Replacement Poles T84</p>	 <p>Set of 72 in. Black Replacement Poles T60B</p>
--	--	--

Architectural Drawing



Specifications subject to change without notice