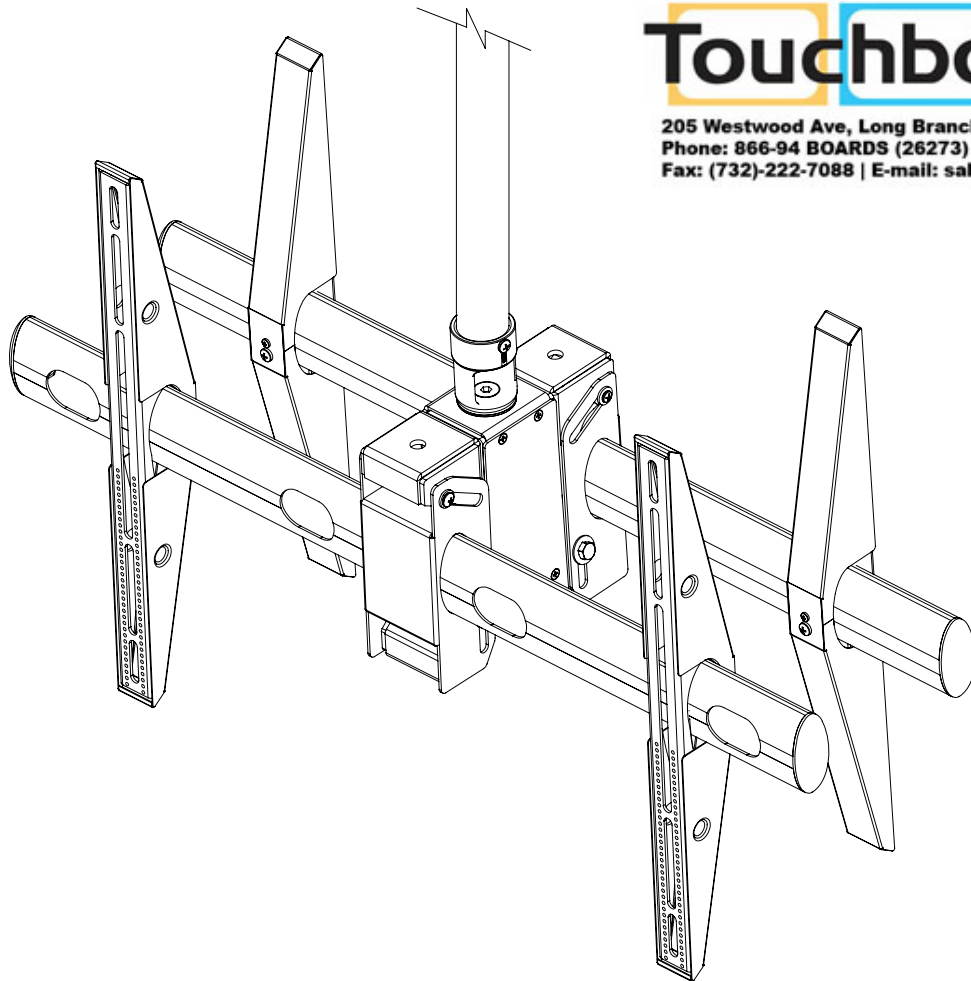


INSTALLATION INSTRUCTIONS



Touchboards

205 Westwood Ave, Long Branch, NJ 07740
Phone: 866-94 BOARDS (26273) / (732)-222-1511
Fax: (732)-222-7088 | E-mail: sales@touchboards.com

Elliptical Ceiling Mount for 37" to 63" Flat Panels

Model: ECM-3763D

NORTH AMERICA

3130 East Miraloma Avenue
Anaheim, CA 92806 USA
USA and Canada
Phone: 1.800.368.9700
Fax: 1.800.832.4888
Other Locations
Phone: (001).714.632.7100
Fax: (001).714.632.1044

EUROPE

Swallow House,
Shilton Industrial Estate,
Shilton, Coventry, England CV79JY
Phone: +44 (0) 2476 614700
Fax: +44 (0) 2476 614710

AUSTRALIA AND OCEANIA

Distributed by Amber Technology Limited
Unit B, 5 Skyline Place
Frenchs Forest NSW 2086
Australia
Phone: +61 2 9452 8600 Sydney Office
Toll Free: 1-800-368-9700
Email: mounts@ambertech.com.au



Contents

- Installation Tools 3
- Parts List..... 3
- Mounting Hardware..... 4
- Features..... 5
- Attaching the Dual Mounting Bracket to the 2" NPT Ceiling Adapter..... 6
- Optional Ceiling Mount Accessories..... 6
- Inserting the Hex Head Bolts..... 7
- Attaching the Elliptical Tilt Mount to the Dual Mounting Bracket..... 7
 - Selecting the Mounting Hardware..... 8
 - Griplate™ Washer Installation..... 9
 - Nylon Spacer Installation..... 9
- Flat Panel Installation..... 10
- Attaching Decorative Covers..... 11
- Cable Management..... 11
- Tilt Positioning..... 12
- Technical Specifications..... 12
- Warranty..... 13
- Disclaimer..... 13

Weight Capacity

Maximum flat panel weight: **360lbs.** THE CEILING STRUCTURE MUST BE CAPABLE OF HOLDING FIVE (5) TIMES THE WEIGHT OF THE FLAT PANEL AND MOUNT. IF NOT, THEN THE CEILING STRUCTURE MUST BE REINFORCED.

Warning Statements



INSTALL THE MOUNT ACCORDING TO THE INSTRUCTIONS PROVIDED BY PREMIER MOUNTS. PERFORM ALL STRUCTURAL REINFORCEMENTS BEFORE ATTACHING THE FLAT PANEL TO THE CEILING MOUNT. USE THE APPROPRIATE LIFTING DEVICE WHEN LIFTING THE FLAT PANEL INTO PLACE.



PRIOR TO THE INSTALLATION OF THIS PRODUCT, THE INSTALLATION INSTRUCTIONS MUST BE READ AND COMPLETELY UNDERSTOOD TO PREVENT PERSONAL INJURY AND PROPERTY DAMAGE. KEEP THESE INSTALLATION INSTRUCTIONS IN AN EASILY ACCESSIBLE LOCATION FOR FUTURE REFERENCE.



PREMIER MOUNTS DOES NOT WARRANT AGAINST DAMAGE CAUSED BY THE USE OF ANY PREMIER MOUNTS PRODUCT FOR PURPOSES OTHER THAN THOSE FOR WHICH IT WAS DESIGNED OR DAMAGE CAUSED BY UNAUTHORIZED ATTACHMENTS OR MODIFICATIONS, AND IS NOT RESPONSIBLE FOR ANY DAMAGES, CLAIMS, DEMANDS, SUITS, ACTIONS OR CAUSES OF ACTION OF WHATEVER KIND RESULTING FROM, ARISING OUT OF OR IN ANY MANNER RELATING TO ANY SUCH USE, ATTACHMENTS OR MODIFICATIONS.



SAFETY MEASURES MUST BE PRACTICED AT ALL TIMES DURING THE ASSEMBLY OF THIS PRODUCT. USE PROPER SAFETY GEAR AND TOOLS FOR THE ASSEMBLY PROCEDURE TO PREVENT PERSONAL INJURY.



At least two qualified people should perform the assembly procedure. Personal injury and/or property damage can result from dropping or mishandling the flat panel.



Be aware of the mounting environment. If drilling and/or cutting into the mounting surface, always make sure that there are no electrical wires in the ceiling. Cutting or drilling into an electrical line may cause serious personal injury.



Make sure there are no water or natural gas lines inside the ceiling where the mount is to be located. Cutting or drilling into a water or gas line may cause severe property damage or personal injury.



This product is intended for indoor use only. Use of this product outdoors could lead to product failure and/or serious personal injury.



Do not install near sources of high heat. Do not install on a structure that is prone to vibration, movement or chance of impact.

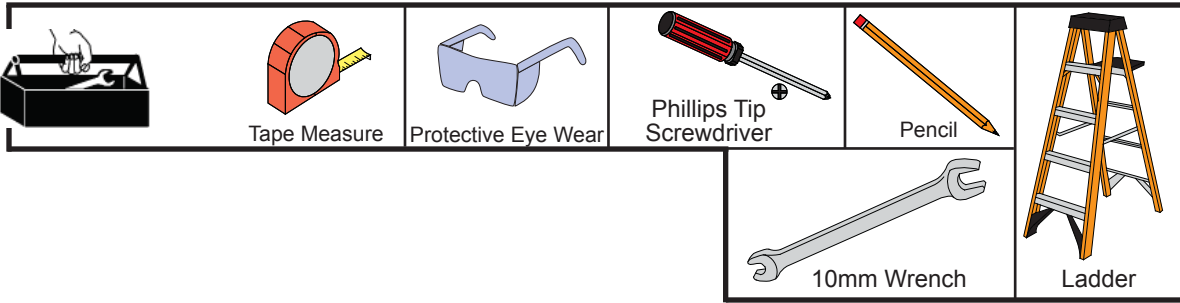


Contact Premier Mounts with any questions:
(800) 368-9700
techsupport@mounts.com



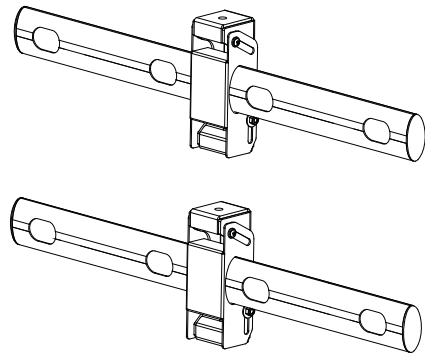
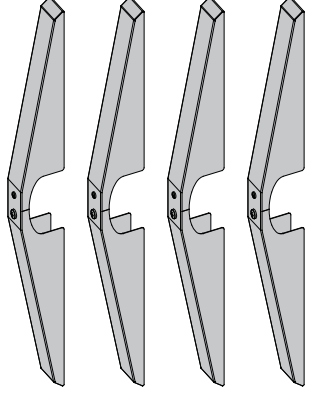
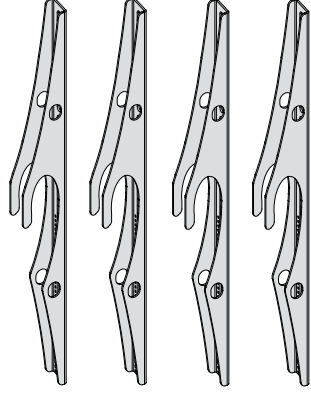
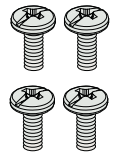
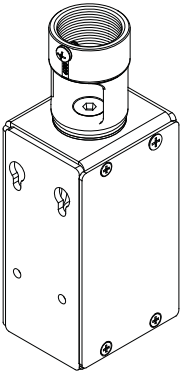
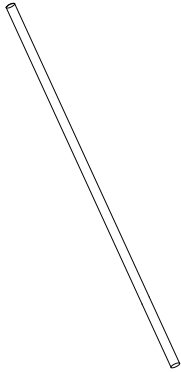
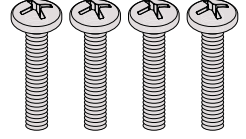
Installation Tools

The following tools may be required, dependent upon your particular installation. These tools are not provided by Premier Mounts, but you can purchase them at your local hardware store.



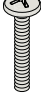
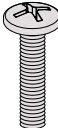

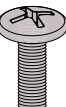

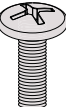

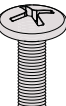
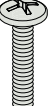

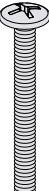
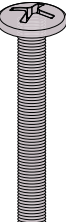

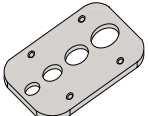

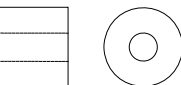

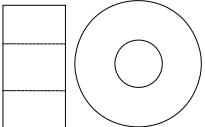
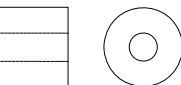
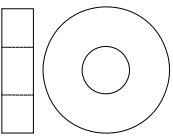
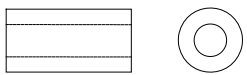
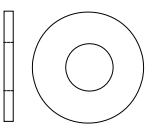

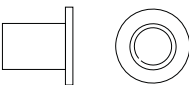


Parts List

Your Premier Mounts product is shipped with all proper installation hardware and components. Make sure that none of these parts are missing and/or damaged before beginning installation. If there are parts missing and/or damaged, please stop the installation and contact Premier Mounts (800) 368-9700.

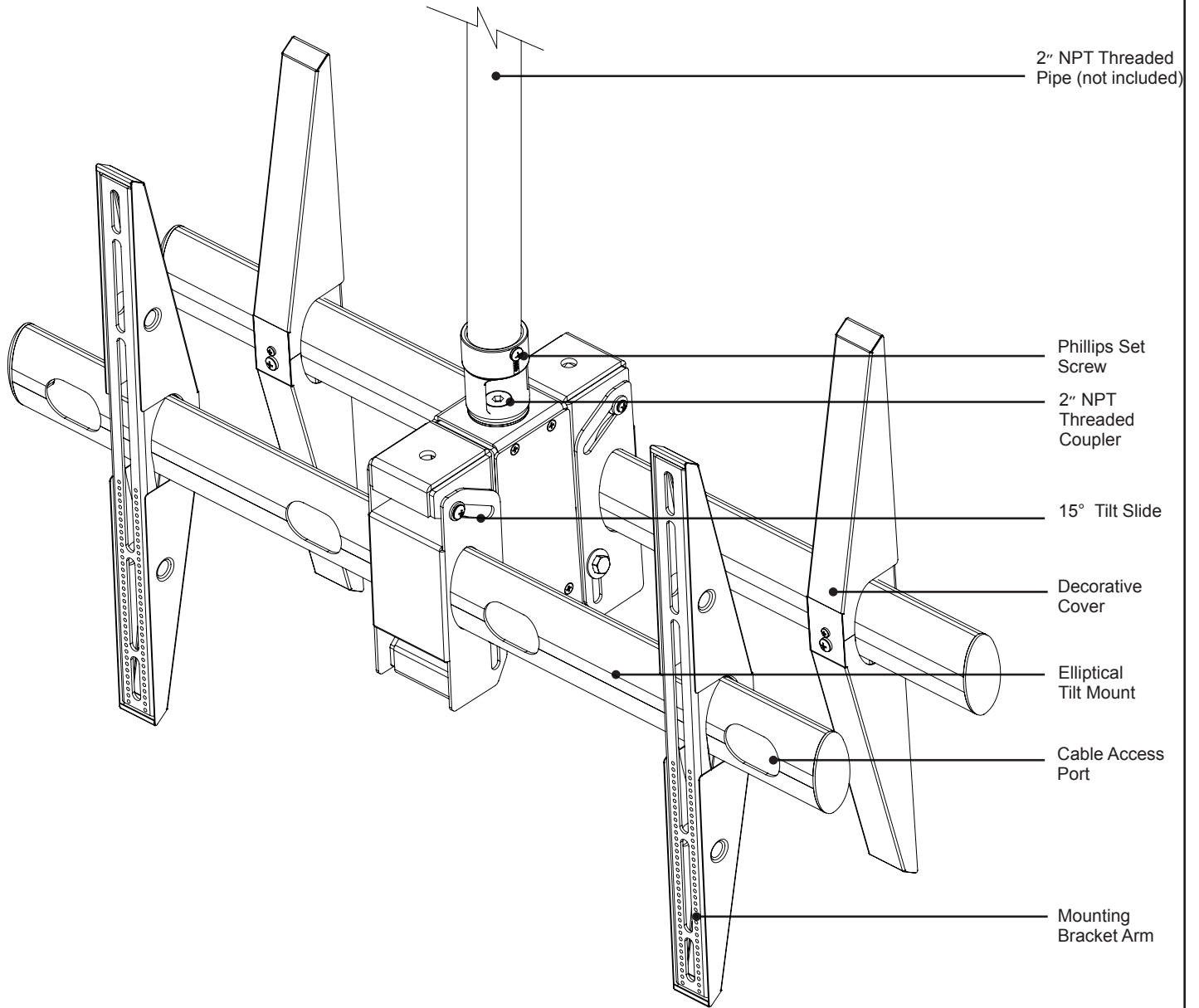
ECM-3763D Mount Hardware		
 Elliptical Tilt Mount (Qty 2)	 Mounting Bracket Arms (Qty 4)	 Decorative Covers (Qty 4)
 M4 x 6mm Phillips Screws (Qty 4)	 Dual Mounting Bracket (Qty 1)	 Thread Depth Indicator (Qty 1)
 M6 x 25mm Phillips Screws (Qty 4)		

**Parts List (cont'd)****Mounting Hardware**

Standard Hardware			
M4 x 16mm Phillips Head Screw (Qty 8)		M6 x 20mm Phillips Head Screw (Qty 12)	
M4 x 25mm Phillips Head Screw (Qty 8)		M6 x 30mm Phillips Head Screw (Qty 12)	
M5 x 12mm Phillips Head Screw (Qty 12)		M8 x 20mm Phillips Head Screw (Qty 12)	
M5 x 16mm Phillips Head Screw (Qty 12)		M8 x 25mm Phillips Head Screw (Qty 12)	
M5 x 20mm Phillips Head Screw (Qty 12)		M8 x 30mm Phillips Head Screw (Qty 12)	
M5 x 25mm Phillips Head Screw (Qty 8)		M8 x 35mm Phillips Head Screw (Qty 8)	
M5 x 50mm Phillips Head Screw (Qty 8)		M8 x 70mm Phillips Head Screw (Qty 8)	
M6 x 12mm Phillips Head Screw (Qty 8)		Griplate™ Washers (Qty 24)	
M6 x 12mm Hex Head Bolt (Qty 8)		9/16" Nylon Spacers (Qty 12)	
M6 Split Lock Washer (Qty 8)		1/2" Nylon Spacers -Large (Qty 24)	
9/16" Nylon Spacers (Qty 12)		1/4" Nylon Spacers -Large (Qty 12)	
1" Nylon Spacers (Qty 12)		5/16" Flat Washer - Metal (Qty 12)	
1/4" Nylon Spacers (Qty 12)			
5/16" Nylon Sleeves (Qty 8)			



Features

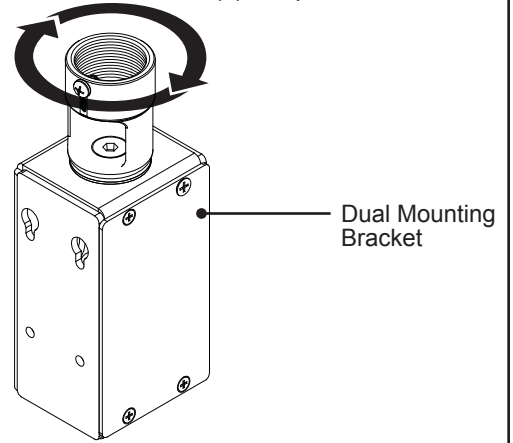
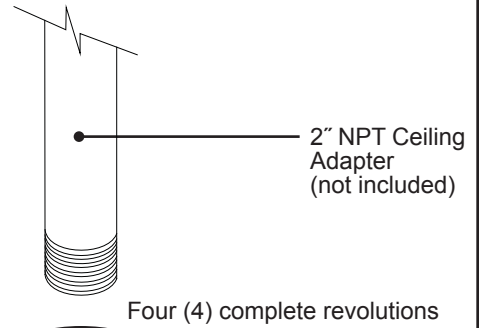




Attaching the Dual Mounting Bracket to the 2" NPT Ceiling Adapter

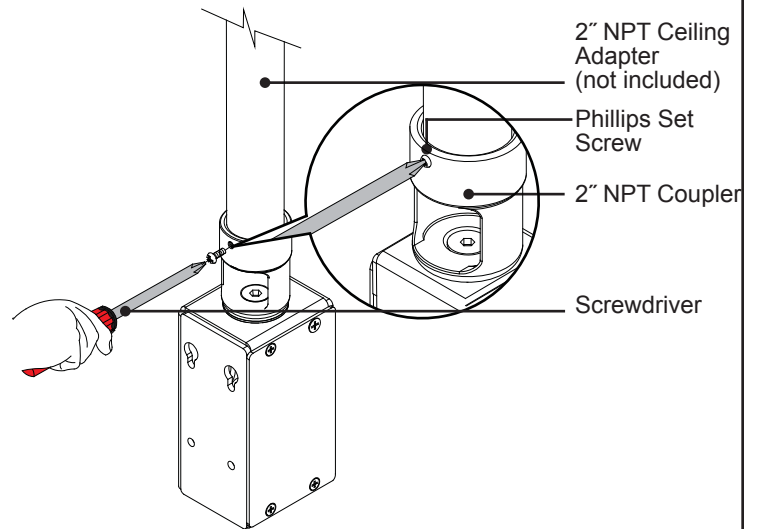
The 2" NPT ceiling adapter (not included) must be firmly secured to the ceiling structure before performing the following steps.

- 1 Align the dual mounting bracket with the threaded end of the 2" NPT ceiling adapter (not included).
- 2 Thread the dual mounting bracket onto the 2" NPT ceiling adapter (not included) and rotate the dual mounting bracket clockwise at least four (4) complete revolutions.
- 3 Use a screwdriver to tighten the Phillips set screw that is located on the 2" coupler.



Ensure that all connections are secure and tight before proceeding.

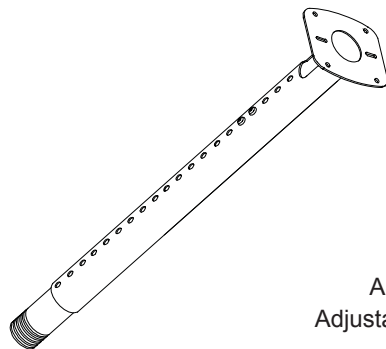
Proceed to the "Inserting the Hex Head Bolts" section.



Optional Ceiling Mount Accessories

The ECM-3763D is designed for use with either a standard piece of 2" NPT pipe or any of the following ceiling mount adapters from Premier Mounts. Please refer to the ceiling mount adapter installation instructions when mounting.

Please refer to the installation instructions that come packaged with these products for correct installation procedures.



AST-244/2 NPT
Adjustable Height Adapter



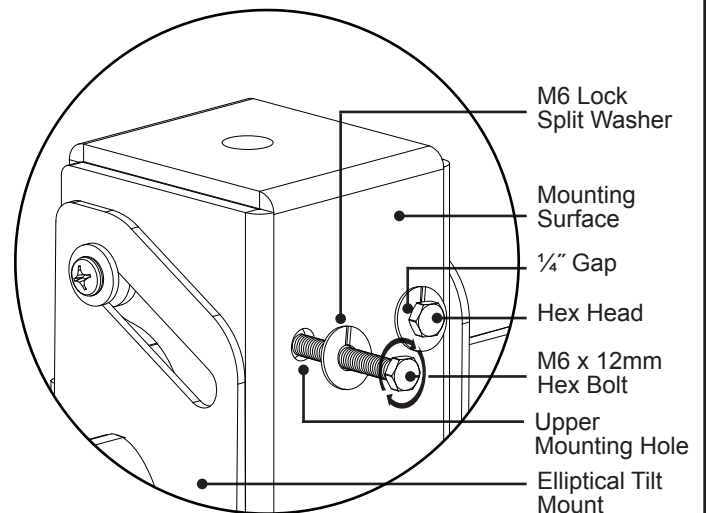
Inserting the Hex Head Bolts

- ❶ Locate the two (2) upper mounting holes located on the back of the elliptical tilt mount.
- ❷ Attach two (2) M6 x 12mm hex head bolts and two (2) M6 split flat washers.
- ❸ Thread the hex bolts into the hole until there is a $\frac{1}{4}$ " gap between the head of the hex head bolt and the mounting surface of the elliptical tilt mount.
- ❹ Repeat steps 1 through 3 for the second elliptical tilt mount.



Do not completely tighten the hex head bolts at this time.

Proceed to “Attaching the Elliptical Tilt Mount to the Dual Mounting Bracket” section.



Attaching the Elliptical Tilt Mount to the Dual Mounting Bracket



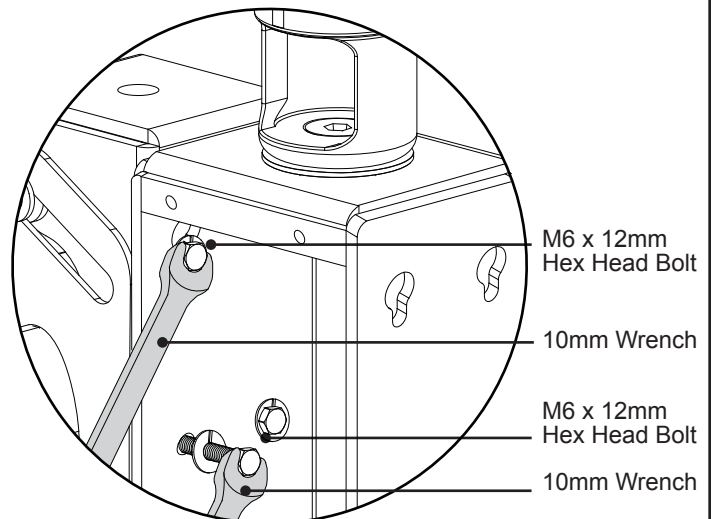
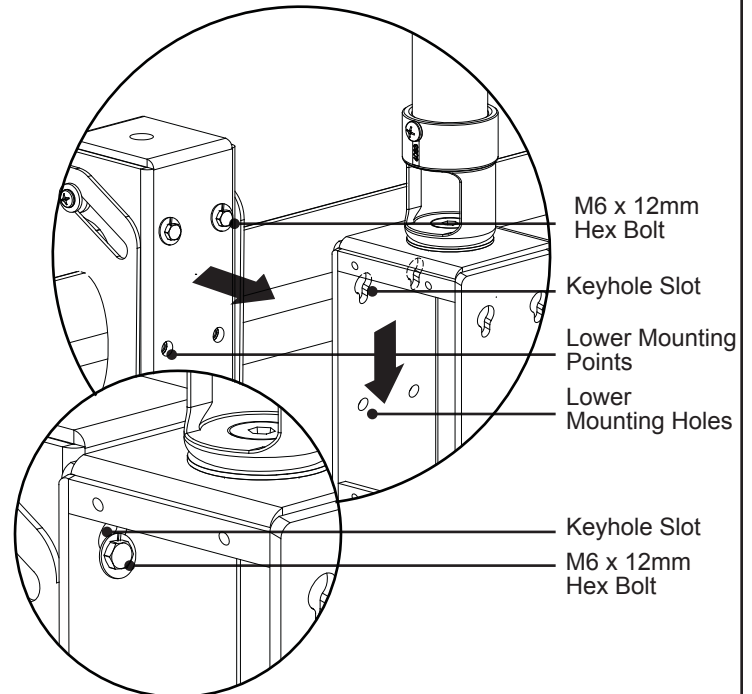
The following steps must be completed by two people.



Do not release the elliptical tilt mount until the hex head bolts are resting fully in the keyhole slots.

- ❶ Align the hex head with the keyhole slot.
- ❷ Gently insert the hex head through the keyhole slot and lower the elliptical tilt mount.
- ❸ Align the lower mounting holes of the dual mounting bracket with the lower mounting points on the elliptical tilt mount.
- ❹ Thread two (2) M6 x 12mm hex head bolts two (2) M6 split flat washers into the mounting holes.
- ❺ Use a 10mm wrench and tighten all four (4) M6 x 12mm hex head bolts.
- ❻ Repeat steps 1 through 5 for mounting the second elliptical tilt mount.

Proceed to “Selecting the Mounting Hardware” section.





Selecting the Mounting Hardware

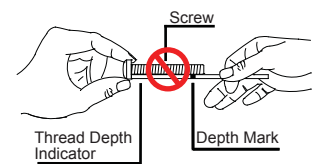
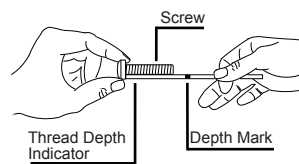
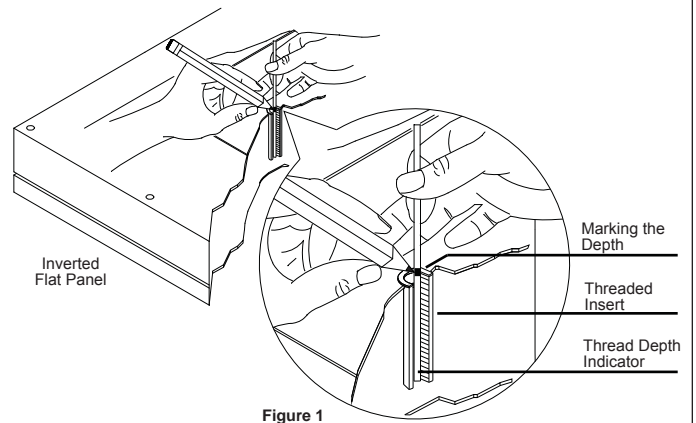
- 1 Insert the Thread Depth Indicator into the thread inserts found on the bottom or top of the flat panel.
- 2 Use a pencil to mark the depth of the thread insert on the Thread Depth Indicator, as shown in Figure 1.
- 3 Insert the Thread Depth Indicator into the remaining thread inserts to compare and verify their depth.
- 4 Locate the correct diameter screw for the thread insert.

If the screw you selected is longer than the mark on the Thread Depth Indicator, as shown in Figure 2 and Figure 3, do not use this screw. The screw length must not bypass the mark.

- 5 Test each size of the screws provided.

The correct screws should thread easily into the mount point and not pull out when tension is applied.

Proceed to the “**Griplate™ Washer Installation**” section.





Griplate™ Washer Installation

Premier Mounts' Griplate™ Washers are designed to accommodate the various M4, M5, M6 and M8 hole sizes required by flat panels.

! Do not place excessive pressure on the back of the flat panel, as this may damage your flat panel.

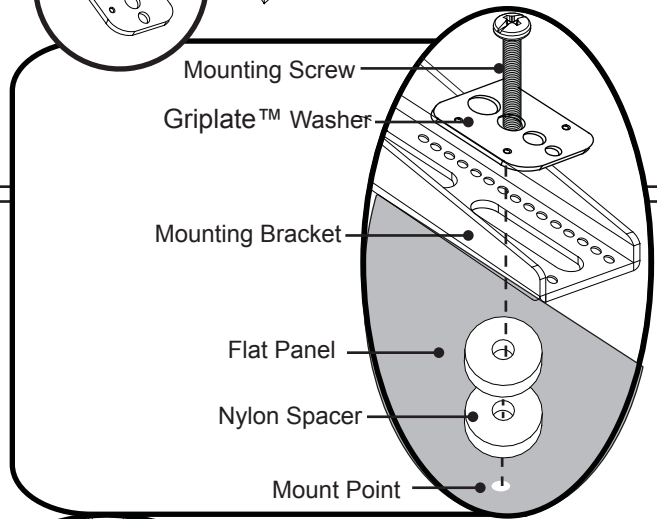
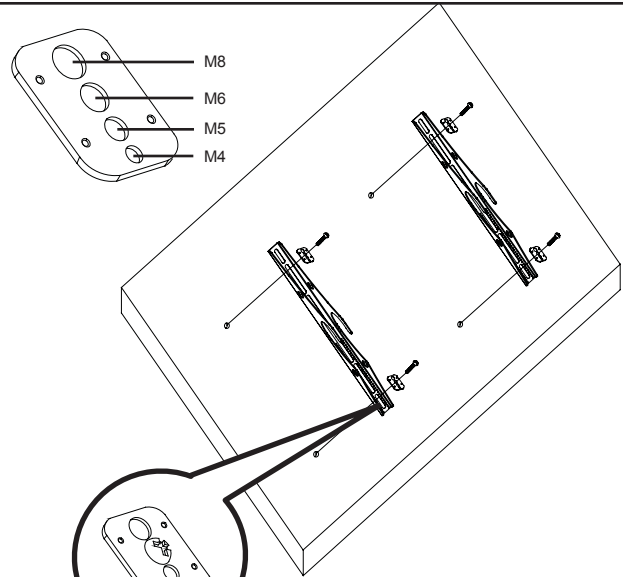
! The Griplate™ Washer must be installed between the head of the mounting screw and the mounting bracket as shown.

STOP Does your flat panel have:

- Recessed mount points?
- Uneven mount points?
- A curved back?
- Any obstruction near the mount point?

If **Yes**, you must install nylon spacers. Remove the mounting brackets, Griplate™ washers, and mounting screws from the back of the flat panel. Proceed to the **"Nylon Spacer Installation"** section.

If **No**, skip to the **"Flat Panel Installation"** section.



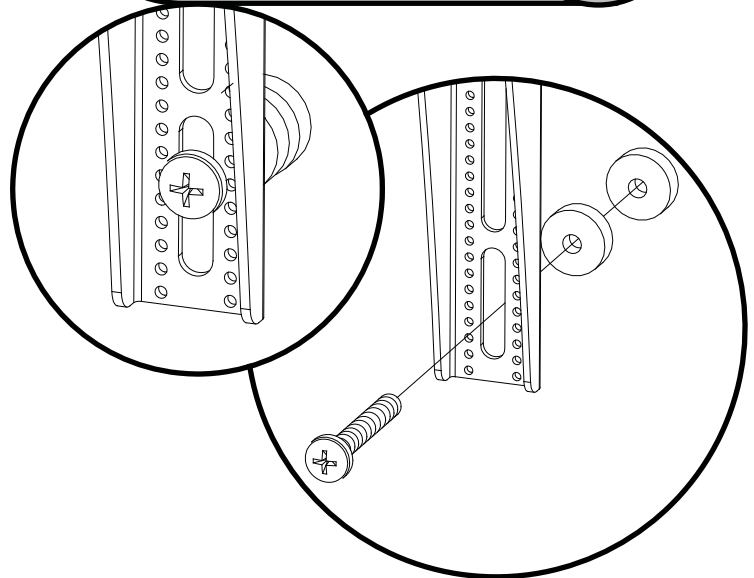
Nylon Spacer Installation

Premier Mounts' nylon spacers allow you to attach the mounting bracket to flat panels which have recessed or uneven mount points. Each nylon spacer will add distance between the mounting bracket and your flat panel.

! The nylon spacers must only be installed between the mounting bracket and your flat panel.

The nylon spacers will fit M4, M5, M6 and M8 screw sizes.

Proceed to the **"Flat Panel Installation"** section.





Flat Panel Installation



Perform all structural reinforcements before attaching the flat panel to the ceiling mount.

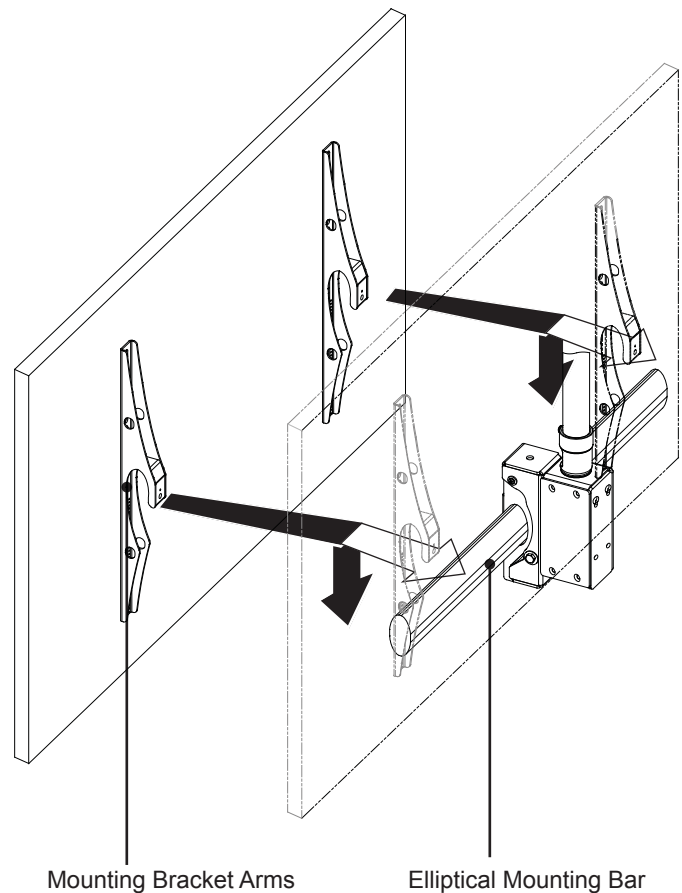


Depending on your installation, it may be easier to route all cables prior to attaching the flat panel (see “**Cable Management**” section).



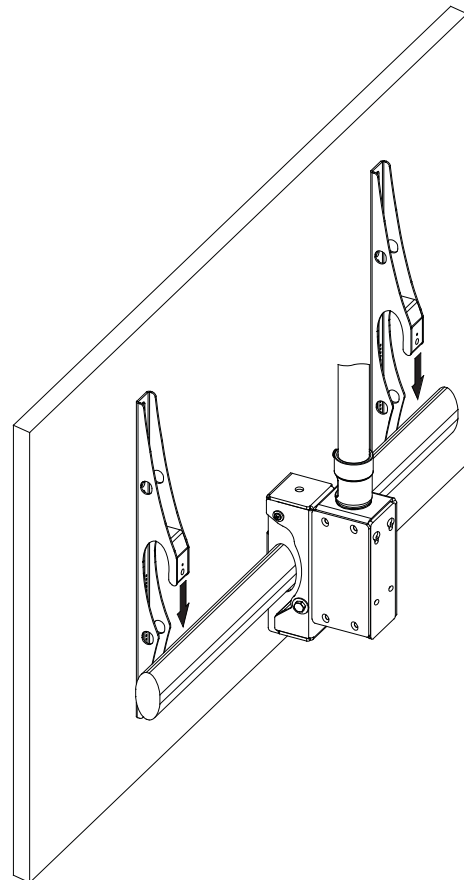
Do not release the flat panel until the mounting bracket arms are fully resting on the elliptical mounting bar.

- 1 Raise the mounting bracket arms and the attached flat panel over the elliptical mounting bar of the ECM-3763D.
- 2 Lower and center the mounting bracket arms with the attached flat panel onto the elliptical mounting bar of the ECM-3763D.
- 3 Repeat steps 1 and 2 for mounting the second elliptical tilt mount.



Do not release the flat panel until the mounting bracket arms are resting fully on the elliptical mounting bar.

Proceed to “**Attaching the Decorative Covers**” section.



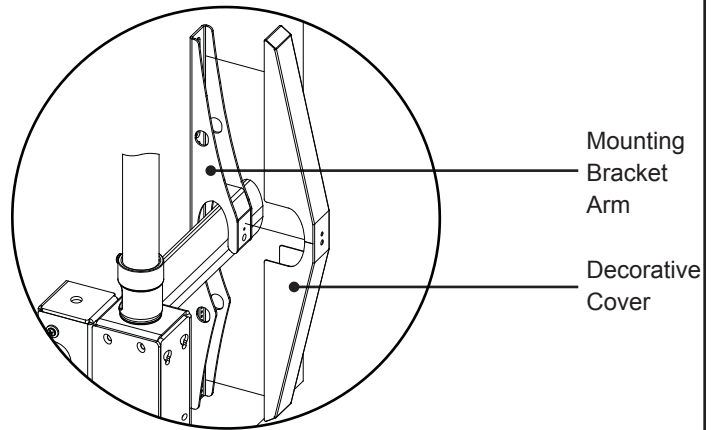


Attaching Decorative Covers



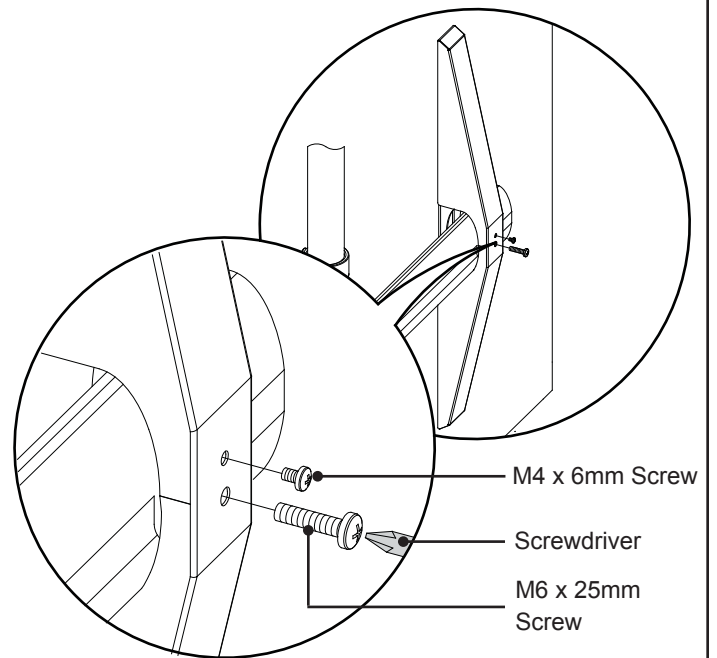
When attaching the decorative covers, verify that the smaller mounting hole is above the larger mounting hole.

- ❶ Place the first decorative cover over the first mounting bracket arm and push firmly into place.
- ❷ Align the mounting holes together.
- ❸ Insert and tighten the M4 x 6mm Phillips screw (smaller mounting hole).
- ❹ Insert and tighten the M6 x 25mm Phillips screw (larger mounting hole).
- ❺ Repeat steps 1 through 4 for the second decorative cover and mounting bracket arm.



Do not over-tighten these screws.

Proceed to “**Cable Management**” section.

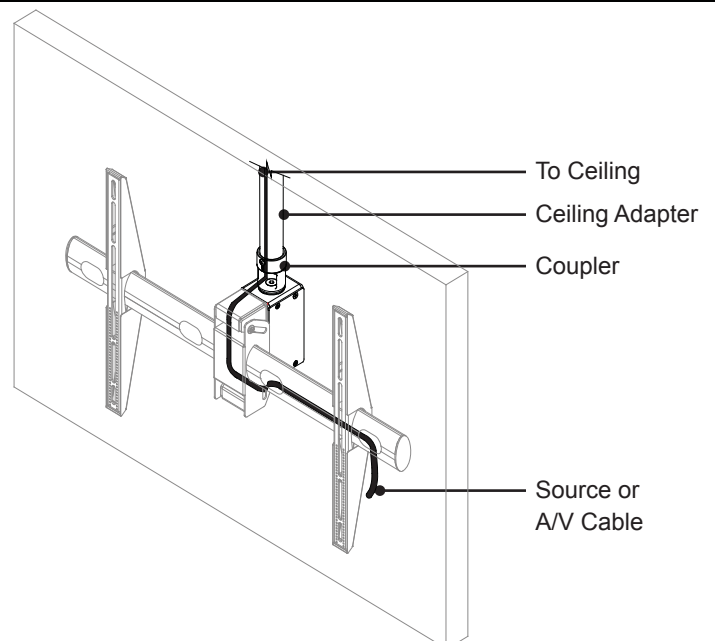


Cable Management

Route the cables through the cable access holes and to their respective locations.

The cables must then be routed through the coupler, up the ceiling adapter (not included) and into the ceiling to a pre-determined power source.

Proceed to “**Tilt Positioning**” section.





Tilt Positioning

Adjusting the Flat Panel Friction Tilt Angle

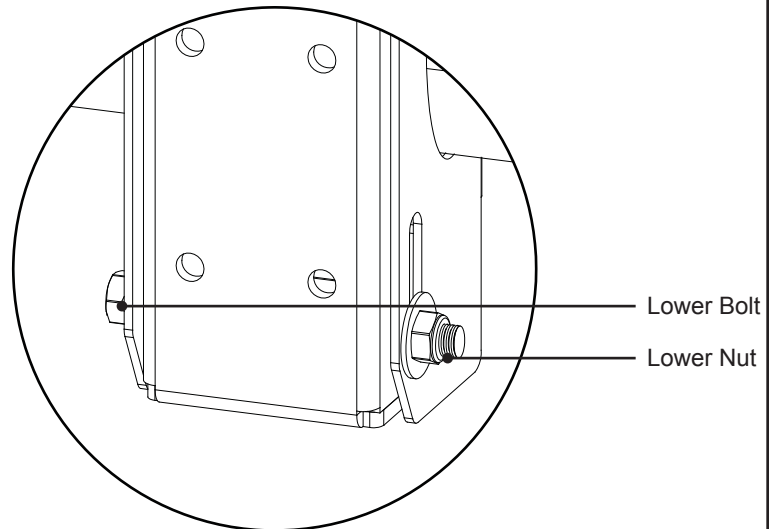
- ① 1. Place one hand at the center top edge of the flat panel.
- ② 2. Place the other hand on the center bottom edge of the flat panel.
- ③ 3. Using the upper hand, gently pull the top of the flat panel toward you while the lower hand gently pushes the bottom of the flat panel away from you.



If additional tilt friction is required, tighten the lower nut and lower bolt only to increase the tilt friction.

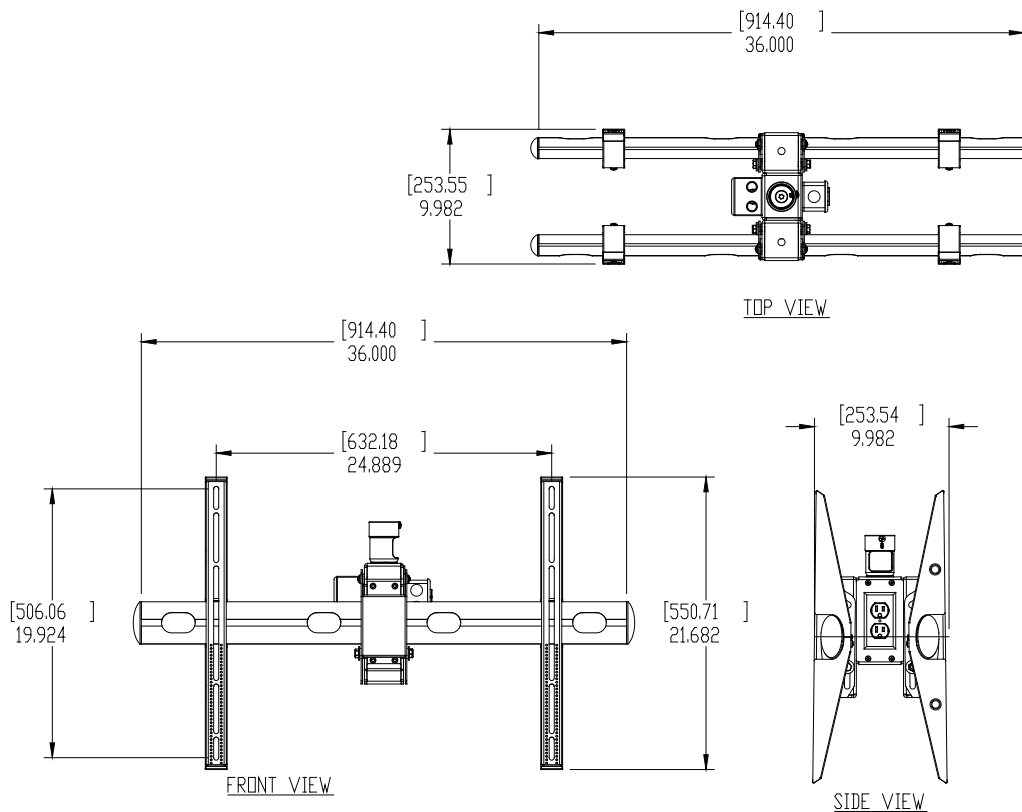
Adjusting the Flat Panel to the Original Position

- ① 1. Place one hand at the center top edge of the flat panel.
- ② 2. Place the other hand on the center bottom edge of the flat panel.
- ③ 3. Using the upper hand, gently push the top of the flat panel away from you while the lower hand gently pulls the bottom of the flat panel toward you.



Technical Specifications

All measurements are in inches(mm).





Warranty

PREMIER MOUNTS LIMITED LIFETIME WARRANTY

What and Who is Covered by this Limited Warranty and for How Long

Premier Mounts warrants this product to be free from defects in material and workmanship for the lifetime of the original owner of this product. The limited warranty is valid only for the original purchaser of the product.

What Premier Mounts Will Do

At the sole option of Premier Mounts, Premier Mounts will repair or replace any product or product part that is defective. If Premier Mounts chooses to replace a defective product or part, a replacement product or part will be shipped to you at no charge, but you must pay any labor costs.

What is Not Covered; Limitations

PREMIER MOUNTS DISCLAIMS ANY LIABILITY FOR DAMAGE TO MOUNTS, ADAPTERS, DISPLAYS, PROJECTORS, OTHER PROPERTY, OR PERSONAL INJURY RESULTING, IN WHOLE OR IN PART, FROM IMPROPER INSTALLATION, MODIFICATION, USE OR MISUSE OF ITS PRODUCTS.

PREMIER MOUNTS DISCLAIMS ALL OTHER WARRANTIES, EXPRESS OR IMPLIED, INCLUDING WARRANTIES OF MERCHANTABILITY AND FITNESS FOR A PARTICULAR PURPOSE. PREMIER MOUNTS IS NOT RESPONSIBLE FOR INCIDENTAL OR CONSEQUENTIAL DAMAGES, INCLUDING BUT NOT LIMITED TO, INABILITY TO USE ITS PRODUCTS OR LABOR COSTS FOR REMOVING AND REPLACING DEFECTIVE PRODUCTS OR PARTS. SOME STATES DO NOT ALLOW THE EXCLUSION OR LIMITATION OF INCIDENTAL OR CONSEQUENTIAL DAMAGES, SO THE ABOVE LIMITATION OR EXCLUSION MAY NOT APPLY TO YOU.

What Customers Must Do for Limited Warranty Service

If you discover a problem that you think may be covered by the warranty you MUST REPORT it in writing to the address below within thirty (30) days. Proof of purchase (an original sales receipt) from the original consumer purchaser must accompany all warranty claims. Warranty claims must also include a description of the problem, the purchaser's name, address, and telephone number. General inquiries can be addressed to Premier Mounts Customer Service at 1-800-368-9700. Warranty claims will not be accepted over the phone or by fax.

Premier Mounts
Attn: Warranty Claim
3130 East Miraloma Ave.
Anaheim, CA 92806

How State Law Applies

THIS WARRANTY GIVES YOU SPECIFIC LEGAL RIGHTS, AND YOU MAY ALSO HAVE OTHER RIGHTS WHICH VARY FROM STATE TO STATE.

Disclaimer

Premier Mounts intends to make this manual accurate and complete. However, Premier Mounts makes no claim that the information contained herein covers all details, conditions or variations, nor does it provide for every possible contingency in connection with the installation or use of this product. The information contained in this document is subject to change without notice or obligation of any kind. Premier Mounts makes no representation of warranty, expressed or implied, regarding the information contained herein. Premier Mounts assumes no responsibility for accuracy, completeness or sufficiency of the information contained in this document.