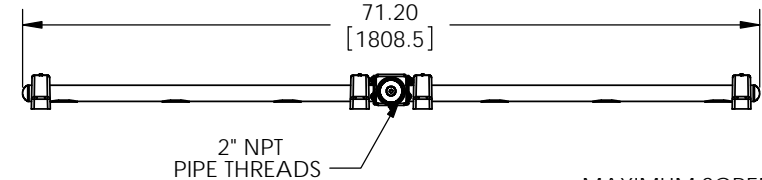
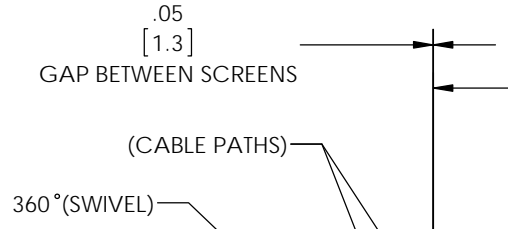


THE INFORMATION CONTAINED IN THIS DRAWING IS THE SOLE PROPERTY OF PREMIER MOUNTS DIVISION OF <PMPI>. ANY REPRODUCTION IN PART OR WHOLE WITHOUT THE WRITTEN PERMISSION OF PREMIER MOUNTS DIVISION OF <PMPI> IS PROHIBITED.

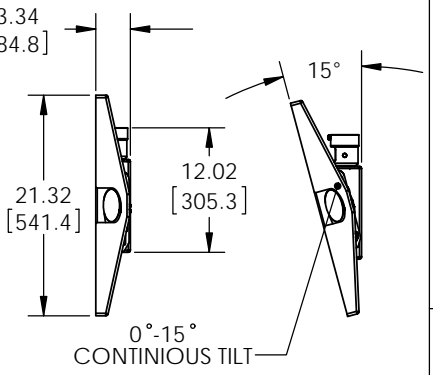
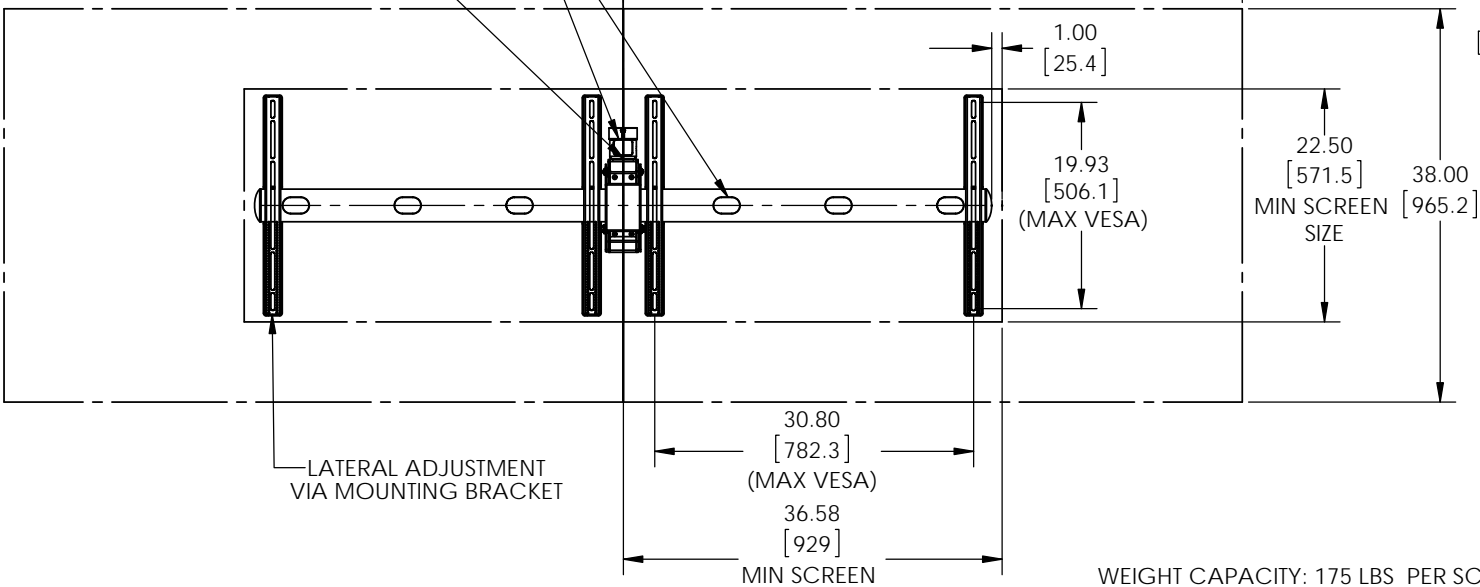


MAXIMUM SCREEN SIZE

59.77
[1518.3]
200x200
55.838
[1418.28]
300x300
51.9
[1318.26]
400x400
44.00
[1117.6]
600x400



205 Westwood Ave, Long Branch, NJ 07740
Phone: 866-94 BOARDS (26273) / (732)-222-1511
Fax: (732)-222-7088 | E-mail: sales@touchboards.com



PREMIER MOUNTS
THE ORIGINAL MOUNT COMPANY
1321 South State College Blvd
Fullerton Ca, 92831
P. 800.368.9700 - F. 800.832.4888

ITEM DESCRIPTION:
DUAL FLAT PANEL CEILING MOUNT

SIZE: B DWG. NO.: ECM-D70T
 SCALE: 1:12 SHEET 1 OF 1

WEIGHT CAPACITY: 175 LBS PER SCREEN
 DIMENSIONS ARE IN INCH AND [MM]

MOUNTS.COM