

Universal Projector Mount with Integrated Coupler

Model: **MAG-PRO,
MAG-PRO-W**

Weight Capacity: 10 lb / 4.5 kg.

Features

- 1** Patented MagnaGuide™ reduces installation time and aids in projector alignment (U.S. Patent No. 7,758,001 B2)
- 2** Integrated coupler attaches to standard 1.5 in. NPT and features cable routing port
- 3** Radial Glide™ provides smooth roll, pitch, and yaw
 - Lock-It™ security hardware and leveling barrel provide strong protection
 - OSHPD approved and UL listed
 - Easy-to-install two-piece design
 - Available in Black (MAG-PRO) and White (MAG-PRO-W)

The MAG-PRO universal projector mount fits most projectors that weight up to 10 lb. /4.5 kg. The integrated coupler attaches to a standard 1.5 in. NPT and includes a cable routing port, and the patented MagnaGuide™ feature reduces installation time by using powerful magnets to easily glide the integrated pipe coupler to the mount. A safety lever locks the two pieces together easily, and Radial Glide™ allows for up to 6° of smooth tilt adjustment and a simple lock-down screw secures the adjustments.




205 Westwood Ave, Long Branch, NJ 07740
 Phone: 866-94 BOARDS (26273) / (732)-222-1511
 Fax: (732)-222-7088 | E-mail: sales@touchboards.com



Integrated coupler attaches to the standard 1.5" NPT and features cable routing



Patented MagnaGuide™ reduces installation time



Radial Glide™ allows up to 6° of smooth tilt

Universal Projector Mount with Integrated Coupler

MAG-PRO, MAG-PRO-W

Specifications




Color MAG-PRO Black MAG-PRO-W White	Weight 4.06 lb. 1.8 kg	Weight Capacity / Mount 10 lb. 4.5 kg	Roll +6.00°/-6.00°	Pitch +6.00°/-6.00°	Yaw 360.00°
Height 7.28 in. 185 mm	Mounting Reach 13.79 in. 350 mm	Projector Pitch 6.00°	Ceiling Pitch 60.00°	Warranty Lifetime	

Packaging

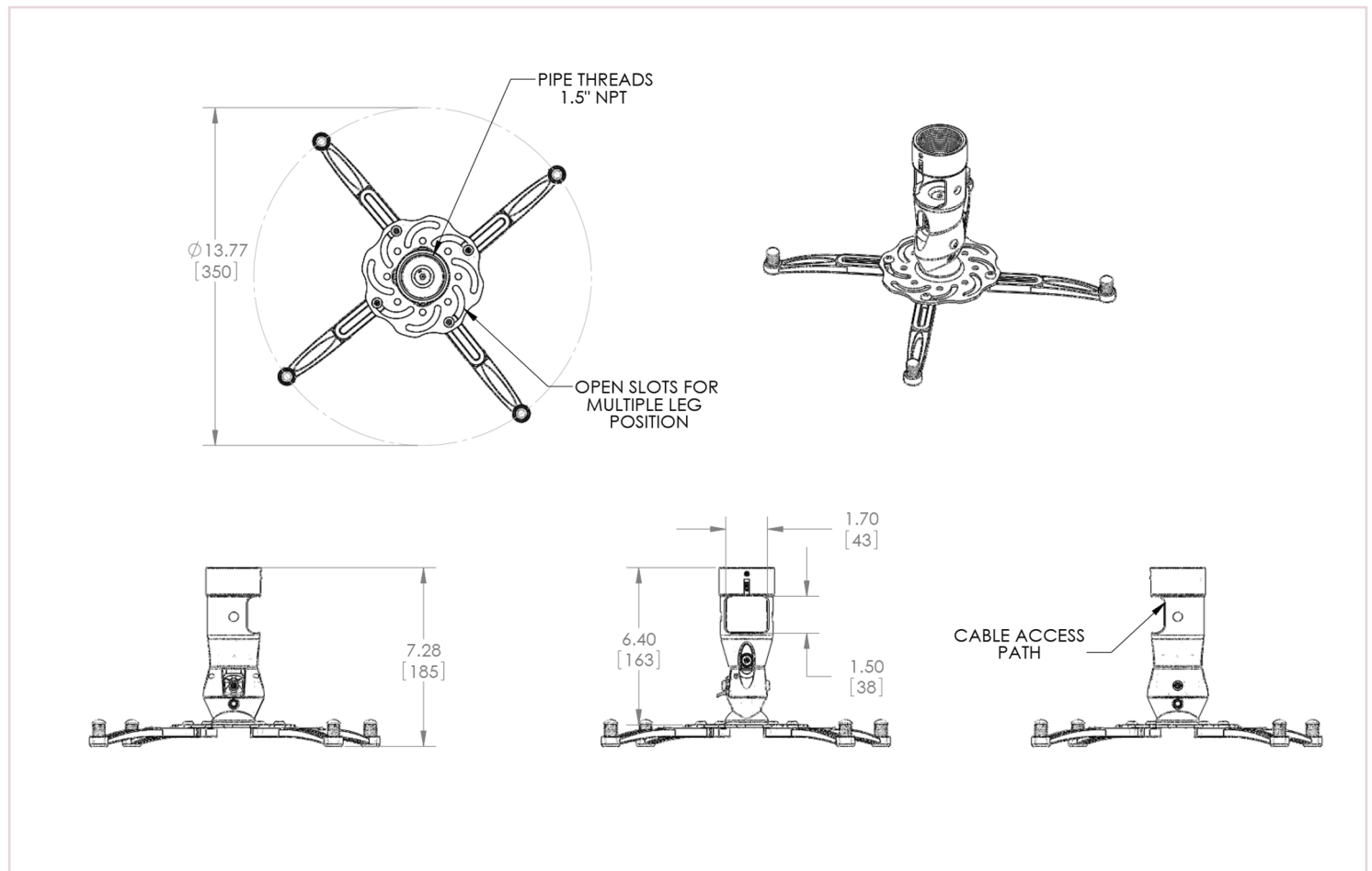
Length x Width x Height 18.5 x 12.6 x 17.36 in. 470 x 320 x 441 mm
--

Contents MAG-PRO Mount (x1), Mounting Leg (x4), CLS (x1), Barrel Cap (x4), Star Washers (x2), Lock-It™ Security Hardware Pack (x1)
--

Accessories

 GB-AVSTOR5	 PP-FCTA-QL	 AST-1321
--	--	--

Architectural Drawing



Specifications subject to change without notice