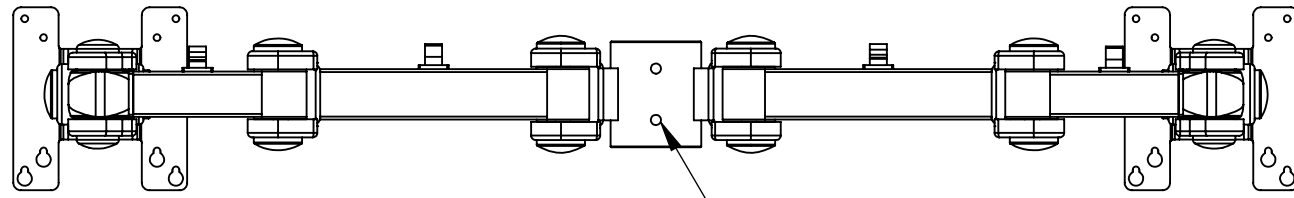
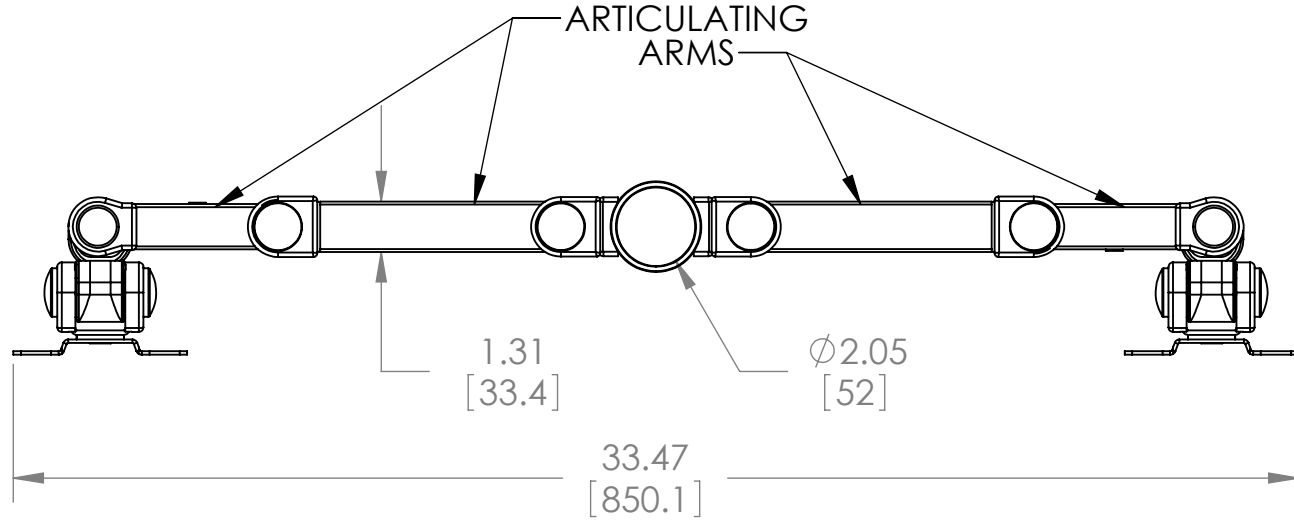


THE INFORMATION CONTAINED IN THIS DRAWING IS THE SOLE PROPERTY OF PREMIER MOUNTS DIVISION OF <PMPI> ANY REPRODUCTION IN PART OR WHOLE WITHOUT THE WRITTEN PERMISSION OF PREMIER MOUNTS DIVISION OF <PMPI> IS PROHIBITED.



SET SCREWS
(X2)

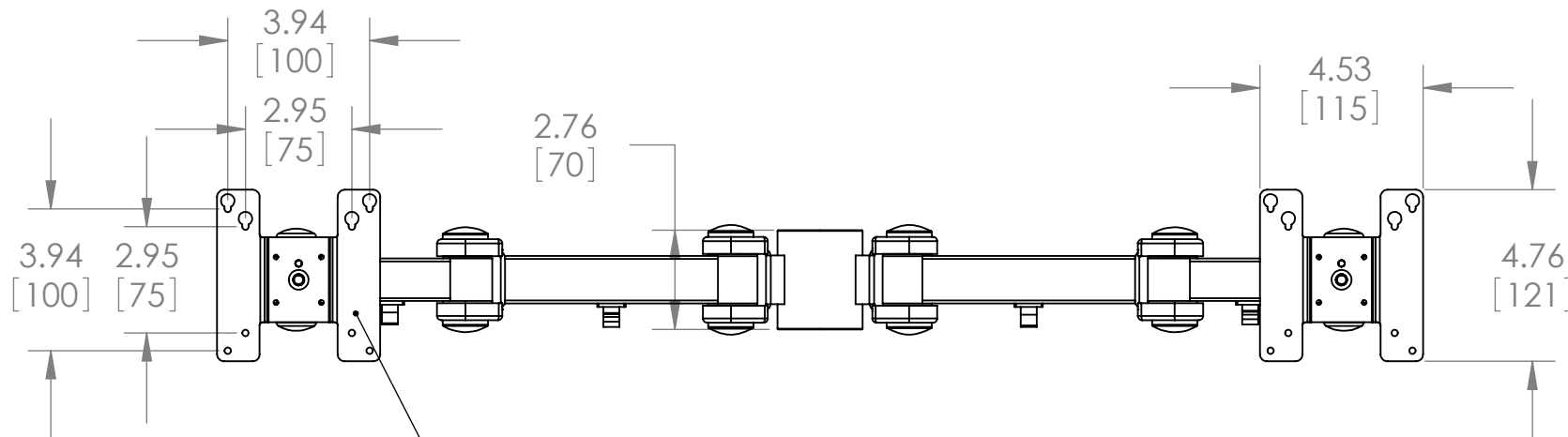
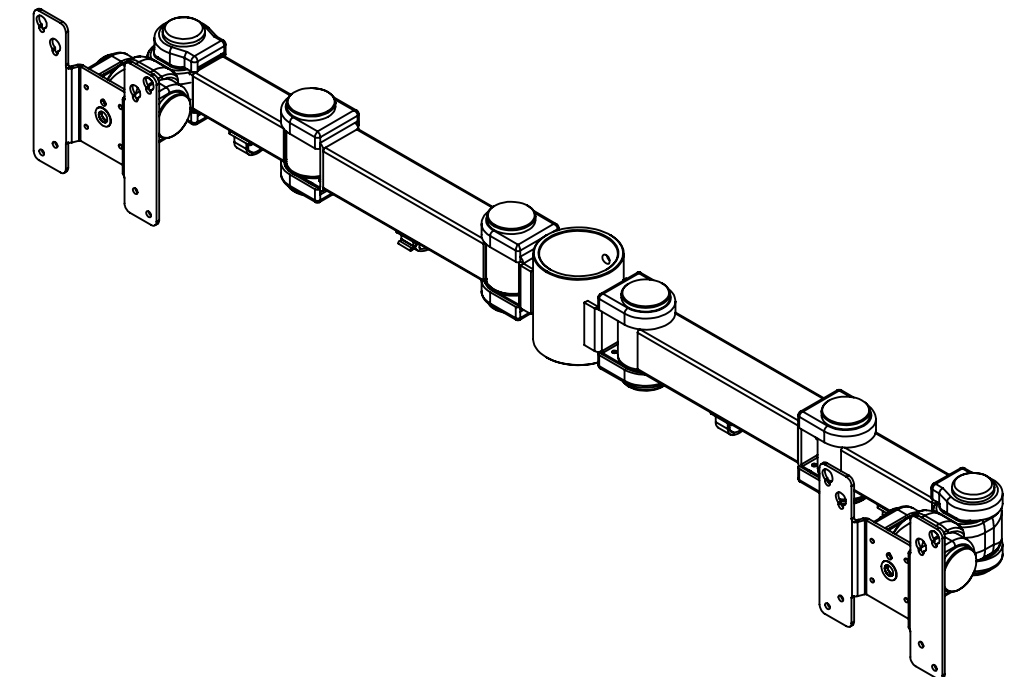


ARTICULATING
ARMS

1.31
[33.4]

Ø2.05
[52]

33.47
[850.1]



3.94
[100]

2.95
[75]

2.76
[70]

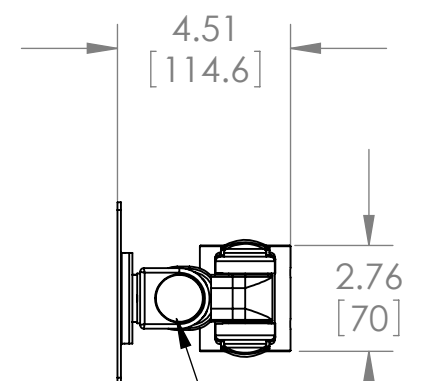
4.53
[115]

3.94
[100]

2.95
[75]

4.76
[121]

360° ROTATION
(X2)



4.51
[114.6]

2.76
[70]

TILT/PIVOT
(3 PLS)

Touchboards

205 Westwood Ave, Long Branch, NJ 07740
Phone: 866-94 BOARDS (26273) / (732)-222-1511
Fax: (732)-222-7088 | E-mail: sales@touchboards.com

PREMIER MOUNTS®
CREATING POSITIVE CUSTOMER EXPERIENCES

3130 East Miraloma Avenue
Anaheim, CA 92806
P. 800.368.9700 - F. 800-832.4888

ITEM DESCRIPTION:

MM-A2

SIZE
B

DWG. NO.

SCALE: 1:5

SHEET 1 OF 1