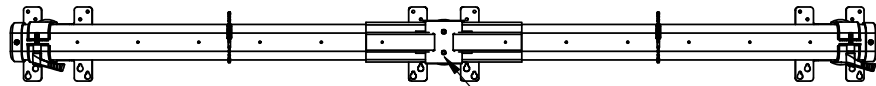
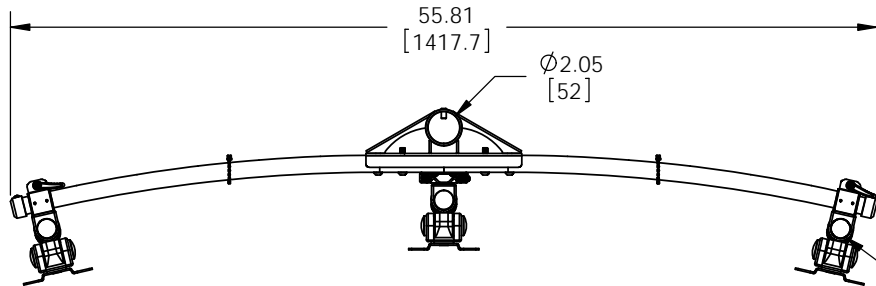
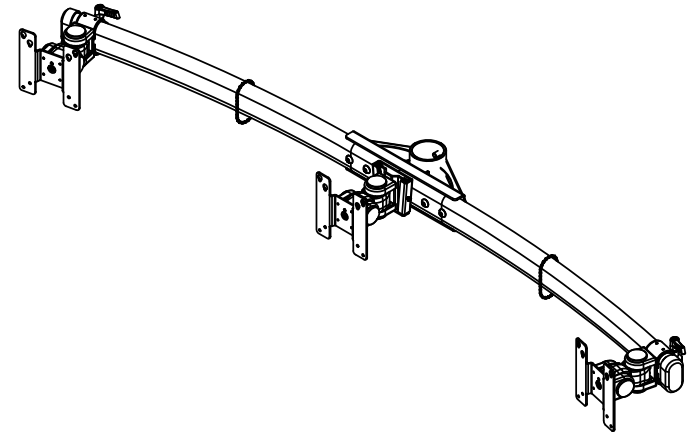


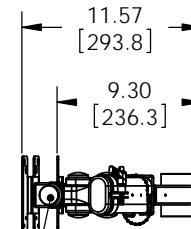
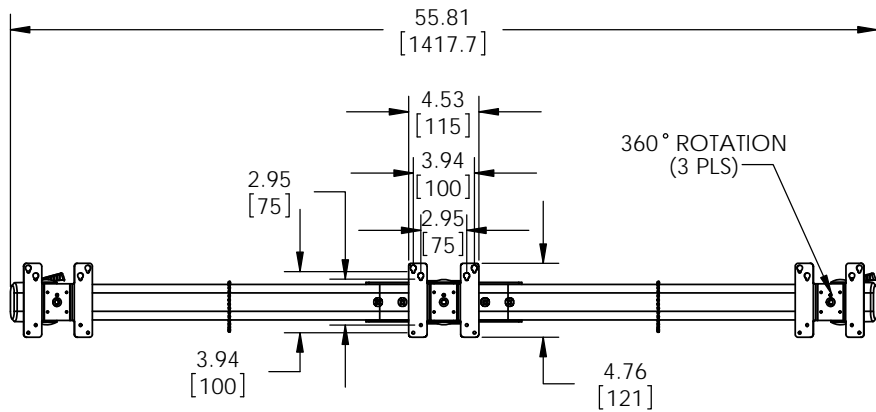
THE INFORMATION CONTAINED IN THIS DRAWING IS THE SOLE PROPERTY OF PREMIER MOUNTS DIVISION OF <PMPI>. ANY REPRODUCTION IN PART OR WHOLE WITHOUT THE WRITTEN PERMISSION OF PREMIER MOUNTS DIVISION OF <PMPI> IS PROHIBITED.



SET SCREWS
(X2)



BOTH MOUNTS
ADJUST
ALONG TUBE



TILT/PIVOT
(3 PLS)

Touchboards

205 Westwood Ave, Long Branch, NJ 07740
Phone: 866-94 BOARDS (26273) / (732)-222-1511
Fax: (732)-222-7088 | E-mail: sales@touchboards.com

PREMIER MOUNTS®
CREATING POSITIVE CUSTOMER EXPERIENCES

3130 East Miraloma Avenue
Anaheim, CA 92806
P. 800.368.9700 - F. 800-832.4888

ITEM DESCRIPTION: **MM-CB3**

SIZE: B DWG. NO.

SCALE: 1:8 SHEET 1 OF 1

MOUNTS.COM