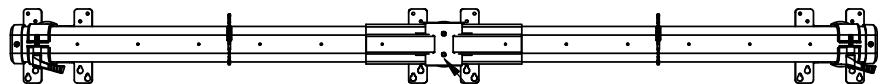
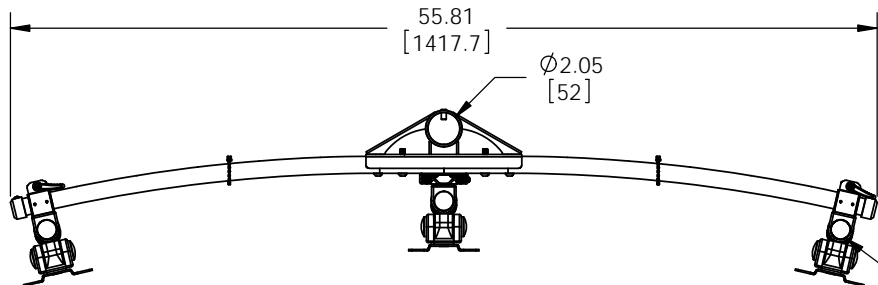
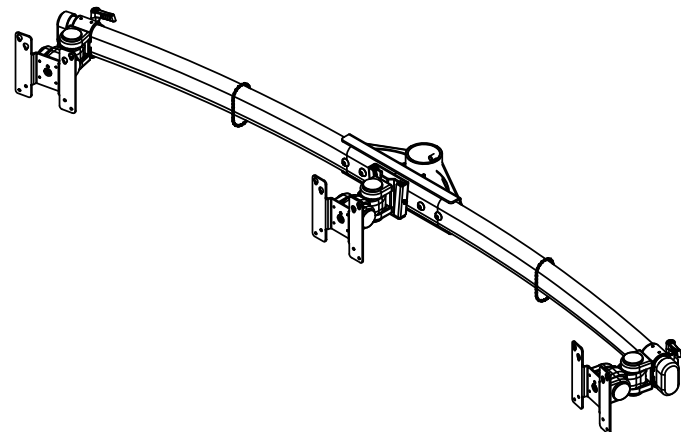


THE INFORMATION CONTAINED IN THIS DRAWING IS THE SOLE PROPERTY OF PREMIER MOUNTS DIVISION OF <PMPI>. ANY REPRODUCTION IN PART OR WHOLE WITHOUT THE WRITTEN PERMISSION OF PREMIER MOUNTS DIVISION OF <PMPI> IS PROHIBITED.



SET SCREWS
(X2)



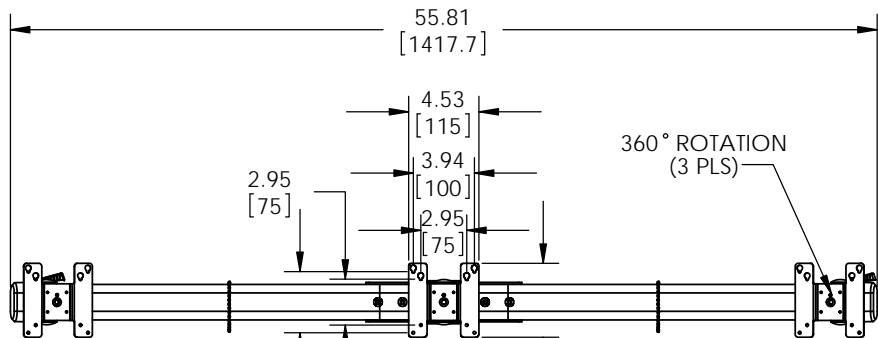
55.81
[1417.7]

Ø2.05
[52]

BOTH MOUNTS
ADJUST
ALONG TUBE



205 Westwood Ave, Long Branch, NJ 07740
Phone: 866-94 BOARDS (26273) / (732)-222-1511
Fax: (732)-222-7088 | E-mail: sales@touchboards.com



55.81
[1417.7]

360° ROTATION
(3 PLS)

2.95
[75]

4.53
[115]

3.94
[100]

2.95
[75]

3.94
[100]

4.76
[121]

11.57
[293.8]

9.30
[236.3]

TILT/PIVOT
(3 PLS)



3130 East Miraloma Avenue
Anaheim, CA 92806
P. 800.368.9700 - F. 800-832.4888

ITEM DESCRIPTION:		MM-CB3	
SIZE	DWG. NO.		
B			
SCALE: 1:8		SHEET 1 OF 1	

MOUNTS.COM