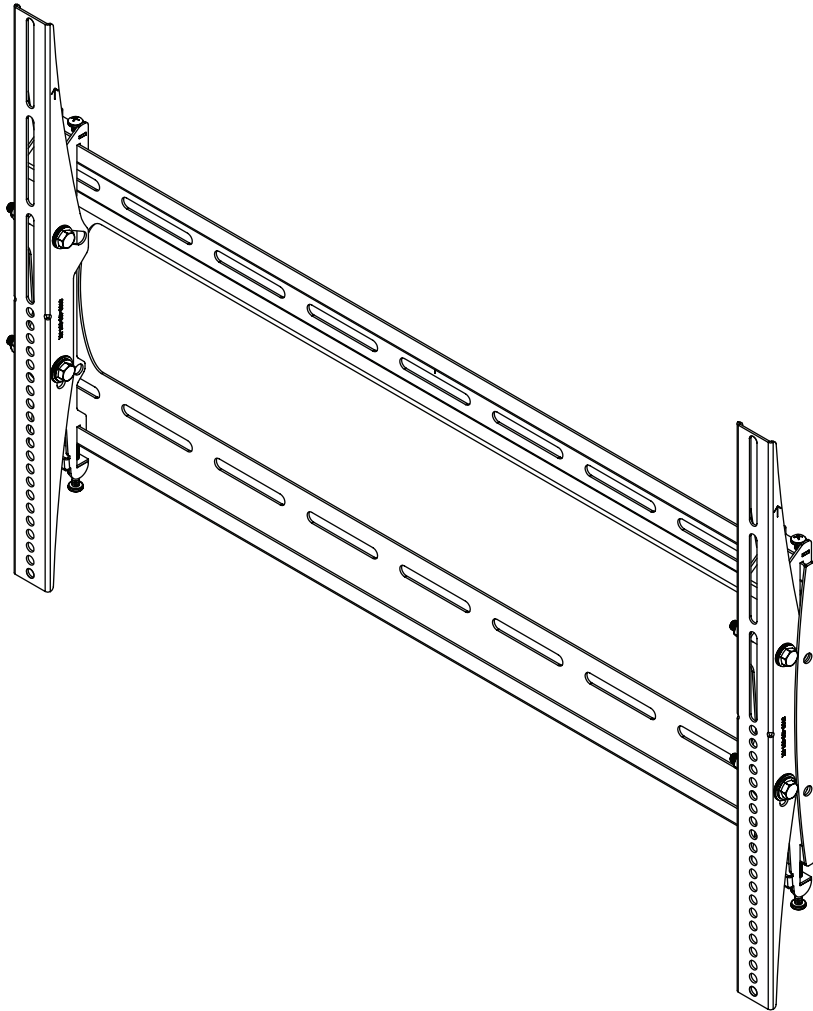




INSTALLATION INSTRUCTIONS



P4263T-EX

Exterior Tilting Low-Profile Mount for Flat-Panels

NORTH AMERICA

1321 S. State College Blvd.
Fullerton, CA 92831 USA

USA and Canada

Phone: 1.800.368.9700

Fax: 1.800.832.4888

Other Locations

Phone: (001).714.632.7100

Fax: (001).714.632.1044



Contents

Weight Limit.....	2
Warning Statements.....	2
Installation Tools.....	3
Parts List.....	3
Mounting Hardware.....	4
Installing the Wall Plate.....	5
Introduction.....	5
Determining the Mounting Surface.....	5
Wood Stud Installation.....	5
Concrete Installation.....	7
Installing the Mounting Bracket.....	8
Selecting the Mounting Hardware.....	8
Universal Washer Installation.....	9
Universal Spacer Installation.....	9
Attaching the Mounting Bracket to the Flat Panel.....	10
Lock-It™ Security Barrel Installation (Optional).....	10
Attaching the Flat Panel to the Wall Plate.....	11
Mounting Bracket Adjustments.....	11
Leveling Screw Adjustment.....	11
Locking Screw Adjustment.....	11
Tilt Adjustment.....	12
Utilizing the Security Barrel.....	12
Technical Specifications.....	13
Warranty.....	14

Weight Limit

Maximum Flat Panel Weight: **175 lbs.**

THE WALL STRUCTURE MUST BE CAPABLE OF SUPPORTING AT LEAST FOUR TIMES THE WEIGHT OF THE FLAT PANEL. IF NOT, THE WALL STRUCTURE MUST BE REINFORCED.

Warning Statements



PRIOR TO THE INSTALLATION OF THIS PRODUCT, THE INSTALLATION INSTRUCTIONS MUST BE READ AND COMPLETELY UNDERSTOOD. KEEP THESE INSTALLATION INSTRUCTIONS IN AN EASILY ACCESSIBLE LOCATION FOR FUTURE REFERENCE.



PROPER INSTALLATION PROCEDURE BY A QUALIFIED SERVICE TECHNICIAN MUST BE FOLLOWED, AS OUTLINED IN THESE INSTALLATION INSTRUCTIONS. FAILURE TO DO SO COULD RESULT IN PROPERTY DAMAGE, SERIOUS PERSONAL INJURY, OR EVEN DEATH.



SAFETY MEASURES MUST BE PRACTICED AT ALL TIMES DURING THE ASSEMBLY OF THIS PRODUCT. USE PROPER SAFETY EQUIPMENT AND TOOLS FOR THE ASSEMBLY PROCEDURE TO PREVENT PERSONAL INJURY.



PREMIER MOUNTS DOES NOT WARRANT AGAINST DAMAGE CAUSED BY THE USE OF ANY PREMIER MOUNTS PRODUCT FOR PURPOSES OTHER THAN THOSE FOR WHICH IT WAS DESIGNED OR DAMAGE CAUSED BY UNAUTHORIZED ATTACHMENTS OR MODIFICATIONS, AND IS NOT RESPONSIBLE FOR ANY DAMAGES, CLAIMS, DEMANDS, SUITS, ACTIONS OR CAUSES OF ACTION OF WHATEVER KIND RESULTING FROM, ARISING OUT OF OR IN ANY MANNER RELATING TO ANY SUCH USE, ATTACHMENTS OR MODIFICATIONS.



At least two qualified people should perform the assembly procedure. Personal injury and/or property damage can result from dropping or mishandling the flat panel.



If mounting to wall studs or ceiling studs, make sure that the mounting screws are anchored into the center of the wall studs or ceiling studs. Use of an edge-to-edge stud finder is recommended.



It is recommended that a maximum of 5/8" plaster board be used when mounting to wooden studs.



Be aware of the mounting environment. If drilling and/or cutting into the mounting surface, always make sure that there are no electrical wires in wall. Cutting or drilling into an electrical line may cause serious personal injury.



Make sure there are no water or natural gas lines inside the wall where the mount is to be located. Cutting or drilling into a water or gas line may cause severe property damage or personal injury.



This product is intended for indoor use only. Use of this product outdoors could lead to product failure and/or serious personal injury.



Do not install near sources of high heat. Do not install on a structure that is prone to vibration, movement or chance of impact.



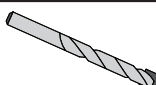


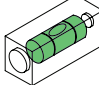
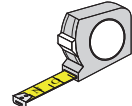
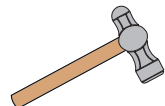

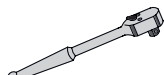
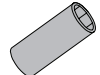



Contact Premier Mounts with any questions:
(800) 368-9700



Installation Tools

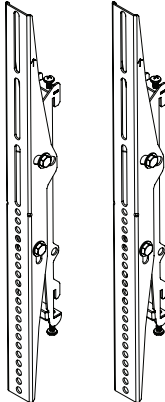
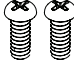
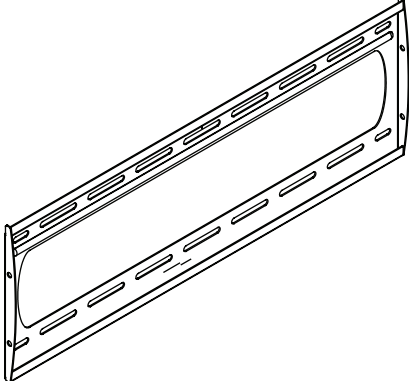
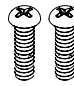
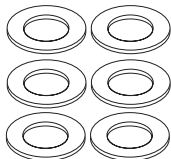
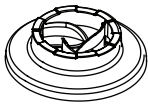

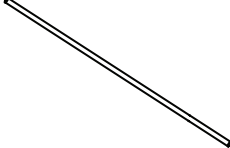
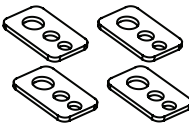
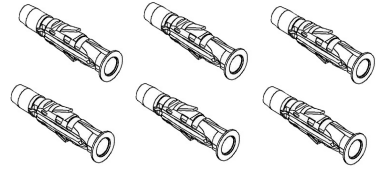
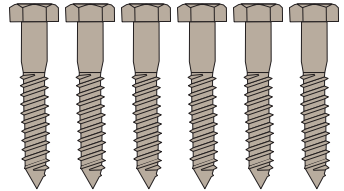
The following tools may be required depending upon your particular installation. They are not included.

 Electronic Stud Finder	 1/4" Drill Bit for Wood Stud	 3/8" concrete Drill Bit**	 Hand Held Drill
 Pencil	 Level	 Tape Measure	 Hammer**
 Protective Eyewear	 Socket Wrench	 1/2" Socket	 Phillips Tip Screwdriver

* Optional tools for steel stud installations.
** Optional tools for concrete installations.

Parts List

Make sure your Premier Mounts product has the following hardware and components before beginning installation. If there are parts missing and/or damaged, stop the installation and call Premier Mounts at (800) 368-9700.

P4263T-EX Universal Low Profile Tilt Mount Assembly Components				
 Mounting Brackets (Qty 2)	 M6 x 30mm Screw (Qty 2)	 Wall Plate (Qty 1)		
	 M6 x 35mm Screw (Qty 2)			
 5/16" Flat Washers (Qty 6)	 Universal Spacers (Qty 8)	 Security Barrel (Qty 1)	 Thread Depth Indicator (Qty 1)	 Universal Washers (Qty 4)
Pro Mounting Hardware				
 Twist-Action Finned Anchor (Qty 6)		 5/16" x 3" Lag Bolts (Qty 6)		



Parts List (cont'd)

Mounting Hardware	
M4 x 12mm Screw (Qty 4)	
M4 x 16mm Screw (Qty 4)	
M4 x 25mm Screw (Qty 4)	
M5 x 12mm Screw (Qty 4)	
M5 x 16mm Screw (Qty 4)	
M5 x 25mm Screw (Qty 4)	
M6 x 12mm Screw (Qty 4)	
M6 x 16mm Screw (Qty 4)	
M6 x 25mm Screw (Qty 4)	
M8 x 12mm Screw (Qty 4)	
M8 x 16mm Screw (Qty 4)	
M8 x 25mm Screw (Qty 4)	



Installing the Wall Plate

Introduction



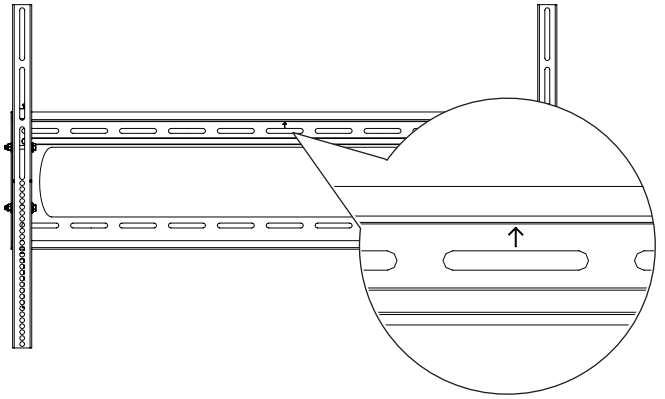
Directional Mounting Arrow

The Directional Mounting Arrow stamped into the top of the P4263T-EX wall mount indicates which edge is the top.



Mounting Safety

Two people are recommended to install this mount.



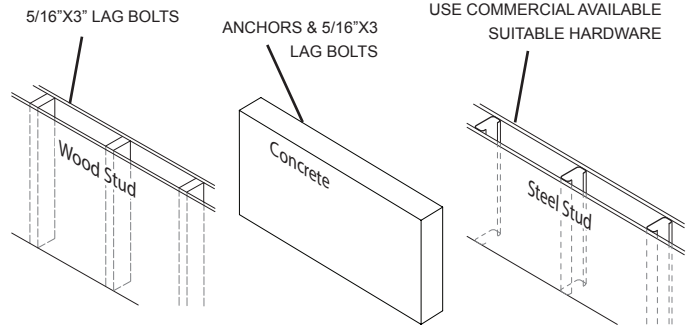
Determining the Mounting Surface



If you will be installing your P4263T-EX mount to wood studs, proceed to the “**Wood Stud Installation**” section.

If you will be installing your P4263T-EX mount to a concrete wall, proceed to the “**Concrete Installation**” section.

If you will be installing your P4263T-EX mount to a steel frame, proceed to the “**Steel Stud Installation**” section.



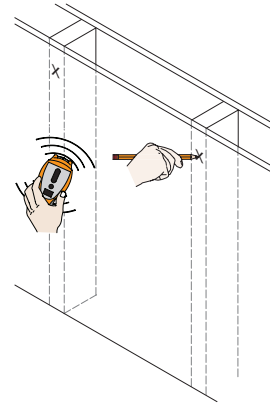
Wood Stud Installation

Step 1



You must secure the wall plate to two (2) wall studs with a minimum of four (4) lag bolts (2 lag bolts for each stud found).

- 1 Use a stud finder to determine the exact center of wall studs in the vicinity of the wall plate.
- 2 Use a pencil to mark the exact center of each of the wall studs.

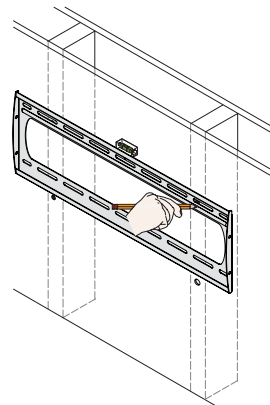


Step 2



Two people are recommended for this step; one person to level the wall plate and another person to mark the wall stud location.

- 1 Place the wall plate against the wall in the desired viewing location.
- 2 Adjust the wall plate to align the mount slots in the wall plate with the center of the wall studs.
- 3 Level the wall plate.
- 4 Use a pencil to mark the upper right mounting location along the center of the wall stud.





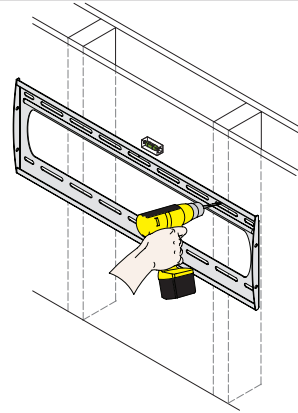
Installing the Wall Plate (cont'd)

Step 3

Drill a "pilot hole" in the center of the upper right mark using a 1/4" drill bit and power drill.



Only use a 1/4" drill bit when drilling the pilot holes.

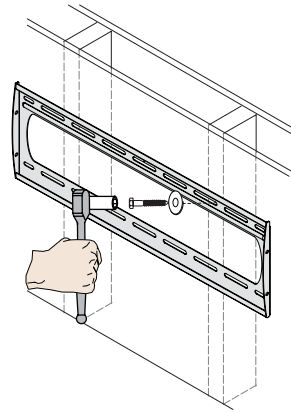


Step 4

- 1 Place the wall plate against the wall and align it with the pilot hole.
- 2 Insert one (1) 5/16" x 3" lag bolt and one (1) 5/16" washer into the upper right mounting hole and tighten using a socket wrench and 1/2" socket.

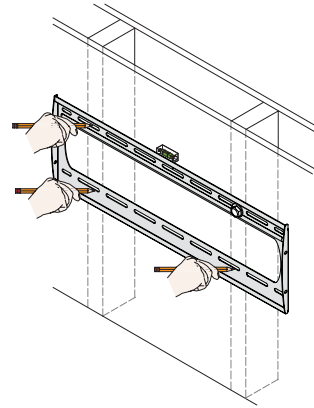


Do not overtighten the lag bolt.



Step 5

- 1 Level the wall plate.
- 2 Use a pencil to mark the remaining three (3) mounting locations along the center of each wall stud.



Step 6

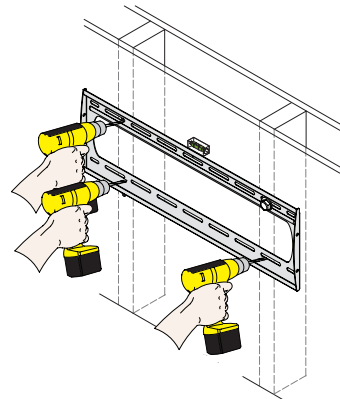


Two people are recommended for this step; one person to level the wall plate and another person to drill the pilot holes.

Drill a "pilot hole" in the center of each of the marks with a power drill and a 1/4" drill bit.



Only use 1/4" drill bit when drilling the pilot holes.





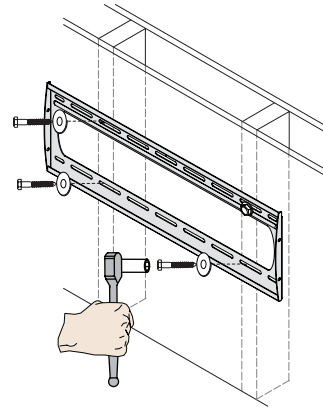
Installing the Wall Plate (cont'd)

Step 7

- 1 Insert one (1) $\frac{5}{16}$ " x 3" lag bolt and one (1) $\frac{5}{16}$ " washer into each pilot hole.
- 2 Tighten all lag bolts using a socket wrench and $\frac{1}{2}$ " socket.

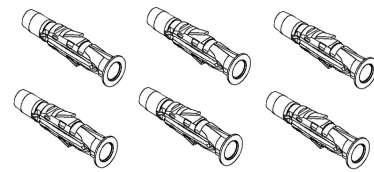
Do not overtighten the lag bolts when attaching the mount to the wall. Improper installation may result in personal injury or property damage.

Proceed to the "Installing the Mounting Bracket" section.

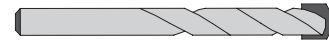


Concrete Installation

The supplied Finned anchors must be used for concrete installation.
You will need a $\frac{3}{8}$ " concrete drill bit (commercially available)



Finned Anchor

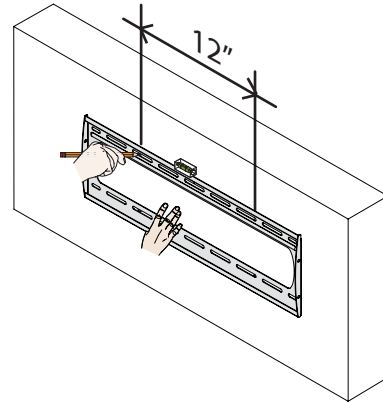


Example of $\frac{3}{8}$ " Concrete Drill Bit (Not Included)

Step 1

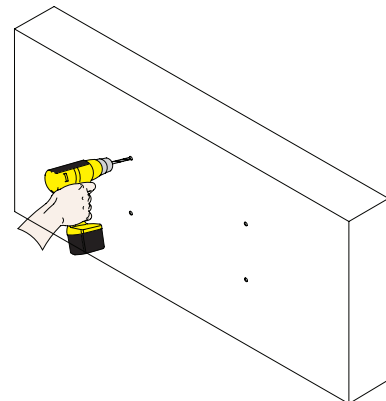
Two people are recommended for this step; one person to level the wall plate and another person to mark the mounting locations.

- 1 Place the wall plate against the wall in the desired viewing location.
- 2 Level the wall plate.
- 3 Use a pencil and mark 2 upper and 2 lower mounting locations where you will be drilling holes for the Finned anchors. Each horizontal location cannot be closer than 12" apart.
- 4 Set the wall plate to one side in a safe location.



Step 2

Use a power drill and $\frac{3}{8}$ " concrete drill bit to drill a hole at each of the marks.

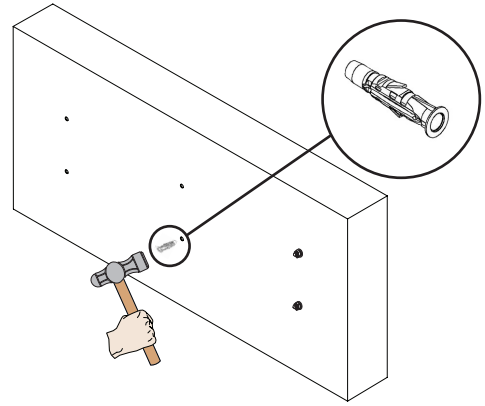




Installing the Wall Plate (cont'd)


Step 3

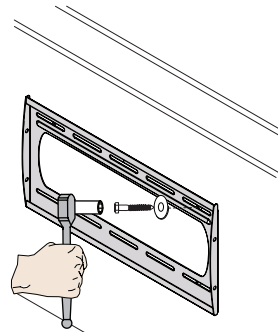
- 1 Insert a Finned anchor into each hole.
If necessary, lightly tap each Finned anchor into place with a hammer.



Step 4

- 1 Place the wall plate against the wall over the Finned anchors, then secure the 5/16" x 3 lag bolts to the anchors.


 Do not over tighten



Installing the Mounting Bracket

Selecting the Mounting Hardware

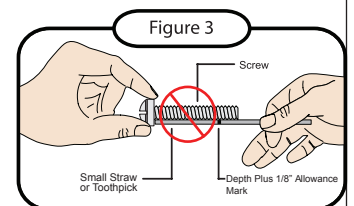
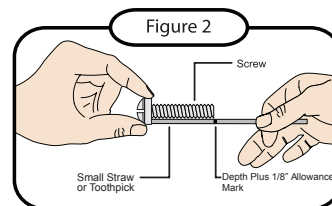
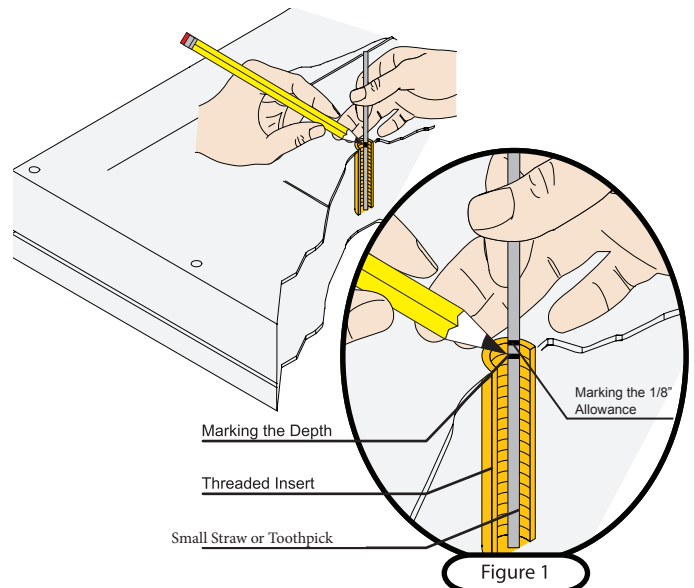
- 1 Insert a small straw or toothpick into the threaded inserts found on the back of the flat panel.
- 2 Use a pencil to mark the depth of the threaded insert on the small straw or toothpick.
- 3 Mark the straw or toothpick 1/8" above the depth of the threaded insert, as shown in Figure 1.
- 4 Insert the small straw or toothpick into the remaining threaded inserts to compare and verify their depth using the straw or toothpick's 1/8" allowance mark.
- 5 Locate the correct diameter screw for the threaded insert.

 If the screw you selected is longer than the 1/8" allowance mark on the small straw or toothpick, as shown in Figure 2 and Figure 3, do not use this screw. The screw length must not bypass the mark.

- 6 Test each size of the screws provided.

The correct screws should thread easily into the mounting point and not pull out when tension is applied.

Proceed to the "Universal Washer Installation" section.





Installing the Mounting Bracket (cont'd)

Universal Washer Installation

Premier Mounts' Universal Washers are designed to accommodate the various M4, M5, M6 and M8 hole sizes required by flat panels.



Do not place excessive pressure on the back of the flat panel, as this may damage your flat panel.



The Universal Washer must be installed between the head of the mounting screw and the mounting bracket as shown.

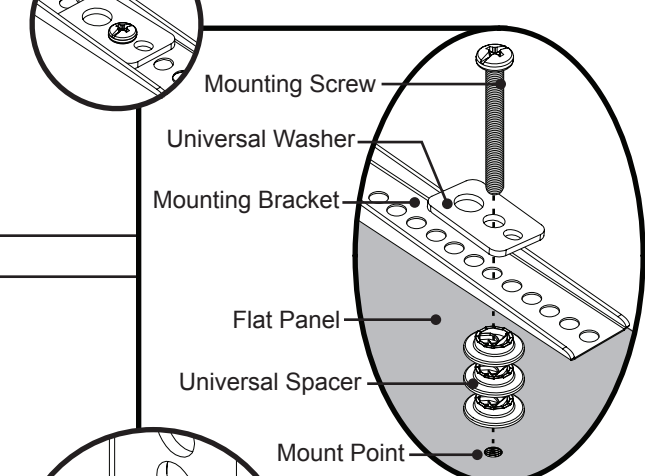
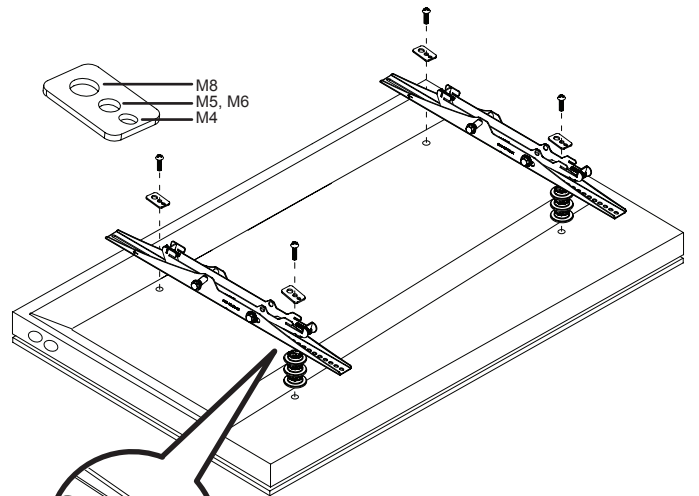


Does your flat panel have:

- Recessed mount points?
- Uneven mount points?
- A curved back?
- Any obstruction near the mount point?

If **Yes**, you must install Universal Spacers. Remove the mounting brackets, Universal Washers, and mounting screws from the back of the flat panel. Proceed to the "Universal Spacer Installation" section.

If **No**, skip to the "Attaching the Mounting Bracket to the Flat Panel" section.



Universal Spacer Installation

Premier Mounts' Universal Spacers allow you to attach the mounting bracket to flat panels which have recessed or uneven mount points. Each Universal Spacer adds 1/4" to the distance between the mounting bracket and your flat panel.



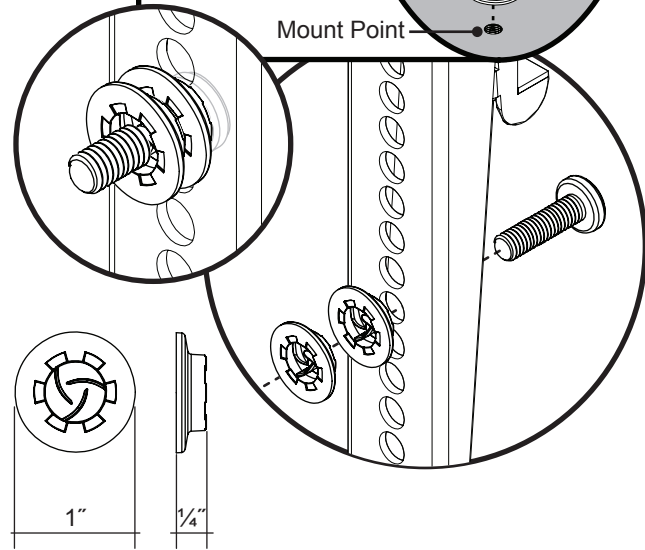
The Universal Spacers must be stacked and oriented as shown.



The Universal Spacers must only be installed between the mounting bracket and your flat panel.

The Universal Spacers will fit M4, M5, M6 and M8 screw sizes.

Proceed to the "Attaching the Mounting Bracket to the Flat Panel" section.






Installing the Mounting Bracket (cont'd)

Attaching the Mounting Bracket to the Flat Panel

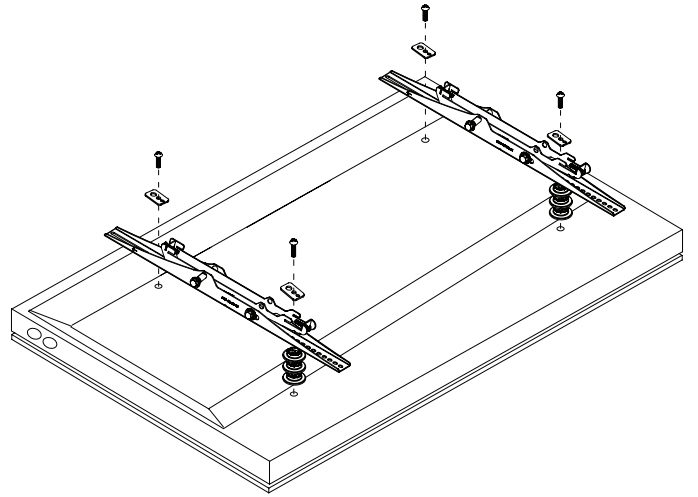
This section presumes that you have read and understood these sections:

- Selecting the Proper Mounting Hardware
- Universal Washer Installation
- Universal Spacer Installation

- 1 Place your flat panel screen-side down on a soft, flat surface.
- 2 Identify the number and location of the thread inserts on the back of your flat panel.
- 3 Align the holes on each mounting bracket with the thread inserts on the back of your flat panel.
- 4 Secure each mounting bracket to your flat panel by inserting a minimum of two (2) screws per bracket.

 Do not overtighten the mounting hardware.

Proceed to the "Attaching the Flat Panel to the Wall Plate" section.



Lock-It™ Security Barrel Installation (Optional)




Optional security configurations include:

- Padlock (Combination or Keyed; commercially available)

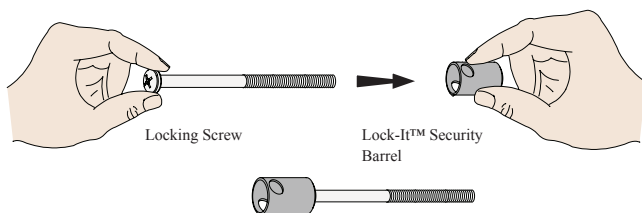
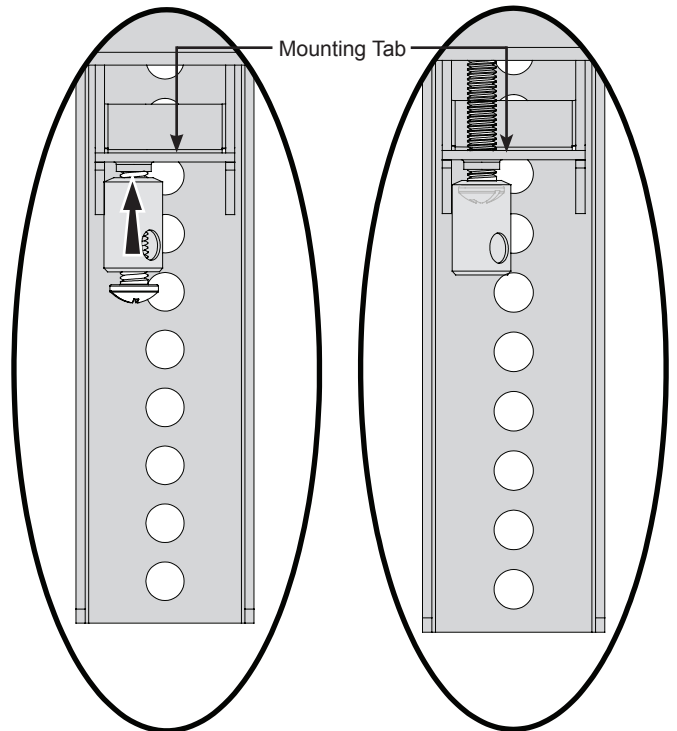
Please read the following directions to install the security barrel:

- 1 Remove the locking screw from the mounting bracket.
- 2 Place the locking screw into and through the security barrel (see illustration below).
- 3 Re-insert the locking screw and security barrel into the mounting bracket.
- 4 Tighten the locking screw and security barrel until seated in the mounting tab.

 Do not thread the locking screw any further once it is even with the mounting tab (see illustration to the right). Threading the locking screw any further will prevent you from safely attaching the flat panel to the wall plate.

 Do not overtighten the locking screw.

Proceed to the "Attaching the Mounting Bracket to the Flat Panel" section.





Attaching the Flat Panel to the Wall Plate



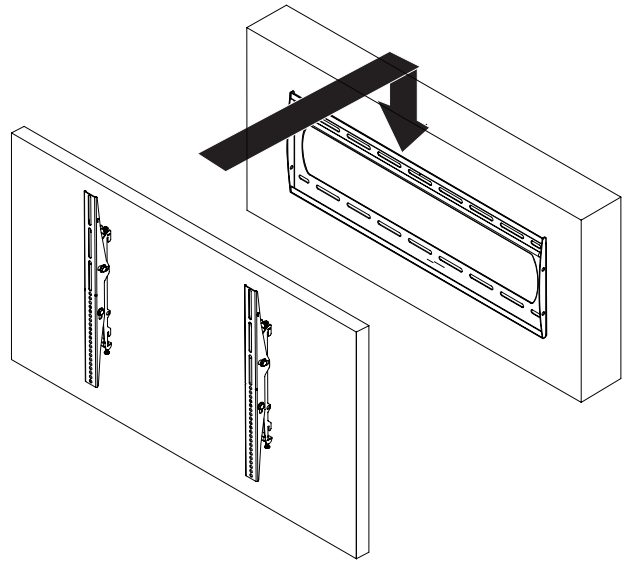
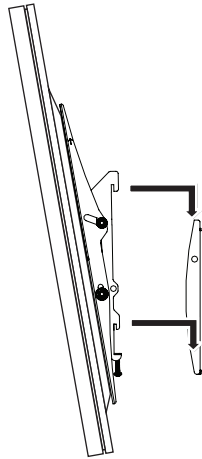
This section requires two people.



Do not release your flat panel until you are certain that top and bottom hooks of both mounting brackets are securely seated on the upper and lower mounting rails of the wall panel.

- 1 Raise the flat panel past the top and bottom mounting rails on the wall panel.
- 2 Slide the flat panel down slowly, keeping it close to the wall.
- 3 Engage the top and bottom mounting brackets to the rails of the wall plate.

Proceed to the "Mounting Bracket Adjustments" section.



Mounting Bracket Adjustments

Leveling Screw Adjustment

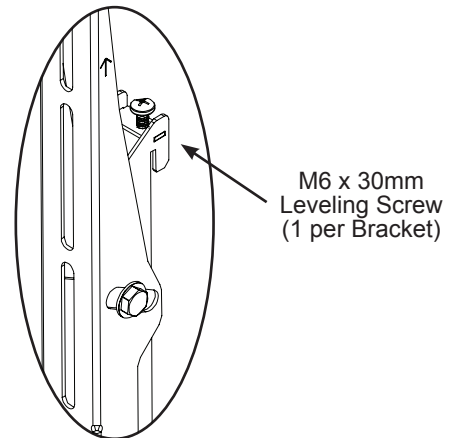
If your flat panel is tilted too far to one side, the leveling screws will allow you to compensate for this tilt by simply adjusting the screws with a screwdriver.

- 1 Loosen both locking screws.
- 2 Adjust the tilt of your flat panel.
- 3 Tighten both locking screws.



Caution!

It is possible to dislodge your flat panel while you level your flat panel. Use extreme caution until you tighten the locking screws.

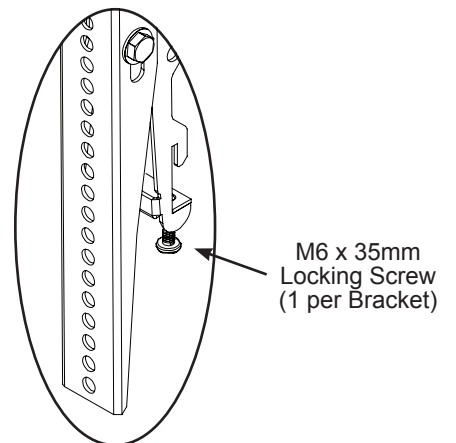


Locking Screw Adjustment

After you have finished leveling your flat panel, be sure to tighten the two (2) M6 x 35mm locking screws.



Do not overtighten the locking screws.





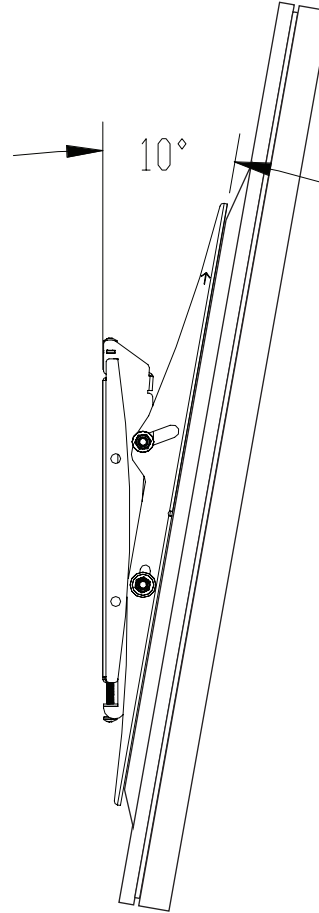
Tilt Adjustment

Adjusting the Flat Panel Friction Tilt Angle

- 1 Place one hand at the center top edge of the flat panel.
- 2 Place the other hand on the center bottom edge of the flat panel.
- 3 Using the upper hand, gently pull the top of the flat panel towards you while the lower hand gently pushes the bottom of the flat panel away from you.

Adjusting the Flat Panel to the Original Position

- 1 Place one hand at the center top edge of the flat panel.
- 2 Place the other hand on the center bottom edge of the flat panel.
- 3 Using the upper hand, gently push the top of the flat panel towards the wall while the lower hand gently pulls the bottom of the flat panel away from the wall.

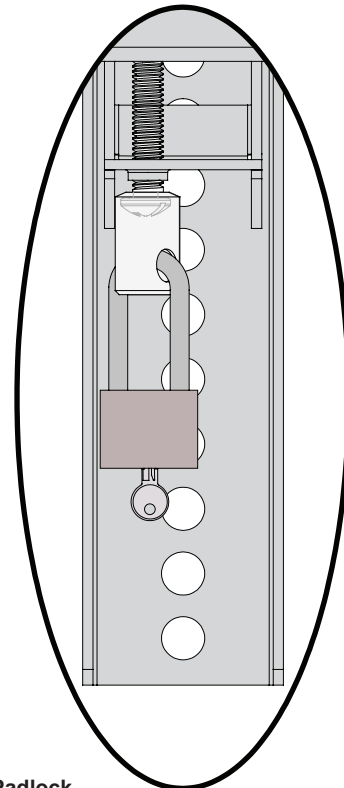


Utilizing the Security Barrel

Your P4263T-EX Mount includes one (1) Security Barrel which can provide additional theft deterrence for your flat panel.

Padlock -

- 1 Place the locking hook through the hole of the security barrel.
- 2 Snap lock and locking hook together.

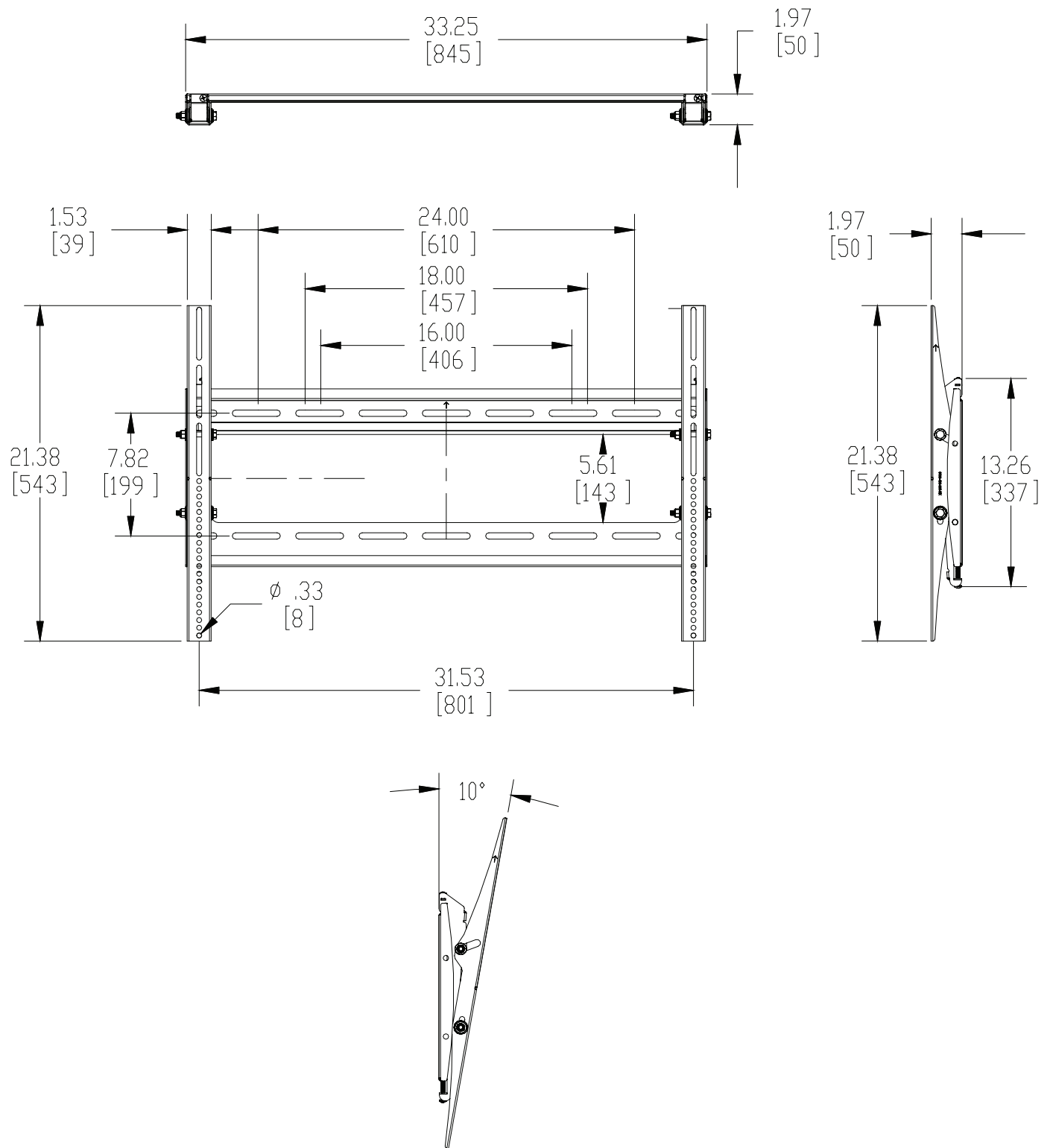


Padlock
(Combination or Keyed)



Technical Specifications

All measurements are in inches [millimeters].





Limited Warranty - Class B

Limited Warranty. Thank you for buying our Class B Mount designated for outdoor use in dry or humid locations but specifically excluding coastal locations. Progressive Marketing Products, Inc. (d/b/a Premier Mounts) ("**Premier Mounts**") warrants to the buyer ("**Buyer**") at the original installation site ("**Site**") that any of the Class B Mounts components designed and manufactured by Premier Mounts and installed at the Site ("**Product**") shall be free from defects in material and workmanship which substantially impair their ability to perform their intended function, as reference in the Class B Mounts Product Information, for a period of five (5) years - except that any factory-applied powder coat painted finish is warranted to be free from substantial manufacturing-related visible peeling or cracking or chalking under normal atmospheric conditions for a period of one (1) year ("**Finished Warranty**") - from the earlier of 1) the date the installation of the Product at the Site is substantially complete, or 2) 120 days after the purchase of the Product by the original Buyer of the Product ("**Warranty Period**"). **This Limited Warranty may not be assigned or transferred by the Buyer.**

FINISHED WARRANTY LIMITATIONS

The Finish Warranty does not apply to any issues caused by foreign residue deposited on the finish, or an installation in atmospheric conditions more corrosive than normal conditions.

WARRANTY LIMITATIONS

The Limited Warranty covers only the Products and not any other materials not provided by Premier Mounts. Goods which may be sold by Premier Mounts, but which are not designed or manufactured by Premier Mounts are not warranted by Premier Mounts, are sold only with the warranties, if any, of the original manufacturers thereof. This Limited Warranty does not cover damage to the Product that occurs during its shipment, storage, installation or use, or from force majeure acts including fire, flood, earthquake, storm, hurricane or other natural disaster, war, terrorist activities, act of foreign enemies and criminal acts. This Limited Warranty does not cover damages or problems caused the connections to or use of alternative materials not purchased from Premier Mounts. This Limited Warranty shall be void if (A) any Product that was purchased from anyone other than Premier Mounts or one of its authorized reseller, (B) installation of the Product is not performed in accordance with the Premier Mounts Product Information, (C) if the Product has been modified, repaired, or reworked in a manner not previously authorized by Premier Mounts in writing, (D) the Product is installed in an environment for which it was not designed, (E) damage to the surface or exterior of a Product that has been defaced, scratched or has been exposed to foreign chemicals, liquids, gases or other out of the ordinary corrosive materials or conditions, (F) structural damage caused by settling or movement of land or objected to which a Product was attached, (G) any claim relating to failure, loss or damage caused by neglect, misuse or abuse; improper operation or storage; modification or alteration; failure to follow proper operating procedures; or failure to maintain the Product according to in accordance with reasonable and customary maintenance procedures.

ORIGINAL WARRANTY CLAIMS

If, within the Warranty Period, the Product shall be proven at Premier Mounts sole discretion to be nonconforming, then Premier Mounts shall repair or provide a replacement for the nonconforming Product, or any nonconforming part thereof, at Premier Mounts option. Any such repair or replacement does not cause the beginning of new warranty terms, not shall the Warranty Period of this Limited Warranty be extended. Premier Mounts aggregate liability for all warranty claims shall not exceed the original Purchase price of the nonconforming Product. Buyer's right to the benefits of this warranty are conditioned on Buyer's cooperation with Manufacturer's reasonable requests which it deems necessary to verify that the claimed defect is covered by this Limited Warranty. A repair shall be deemed acceptable if the defect does not affect a Product's performance and the defect is not plainly visible from a distance of seven feet. Buyer shall bear all costs of shipment or transportation related to the repair or replacement of the nonconforming product. Such repair or replacement shall be Buyer's sole remedy and shall fulfill all of Premier Mounts obligations with respect to the Product and all warranty claims.

What You Must Do To File a Claim. To file a claim under the Warranty, you must call Premier Mounts Customer Care line at 1-877-668-6830 within (30) days after Owner has actual or constructive notice of a product which is allegedly defective. Premier Mounts will issue an RMA Case Number, and the claim along with defective product shall be sent to: Premier Mounts, 1321 South State College Blvd., Fullerton, CA 92831, Attention RMA#. All Claims shall provide details explaining the nature of the claim and the date of detection. Owner waives any claims not made in this manner during the Warranty Period. Premier Mounts shall have a full and complete opportunity to inspect any alleged defect. *For coastal areas related claims, please contact Premier Mounts for warranty information. Within a reasonable time after proper notification, Premier Mounts will evaluate your claim and resolve it in accordance with the terms of this Warranty. You should retain this certificate for your records in the event you need to file a claim.

Sole and Exclusive Warranty. THIS WARRANTY IS EXCLUSIVE AND REPLACES ALL OTHER WARRANTIES, WHETHER EXPRESS OR IMPLIED, INCLUDING THE IMPLIED WARRANTIES OF MERCHANTABILITY AND FITNESS FOR A PARTICULAR PURPOSE. This written warranty is your exclusive warranty from Premier Mounts and represents the SOLE REMEDY available to any owner of Premier Mounts Class B Mount. Premier Mounts makes NO OTHER REPRESENTATION OR WARRANTY of any kind other than that stated herein. PREMIER MOUNTS WILL NOT BE LIABLE IN ANY EVENT FOR CONSEQUENTIAL, INDIRECT OR INCIDENTAL DAMAGES OF ANY KIND, whether for breach of this warranty, negligence, strict liability in tort, or for any other cause.

Some states do not allow the exclusion or limitation of incidental or consequential damages so the above exclusions or limitations may not apply to you

Modification of Warranty. This Limited Warranty may not be changed or modified. No one, including any representative or employee of Premier Mounts or any authorized reseller, has authority to assume any additional liability or responsibility for Premier Mounts. This Warranty gives you specific legal rights, and you may have other rights which vary from state to state.

