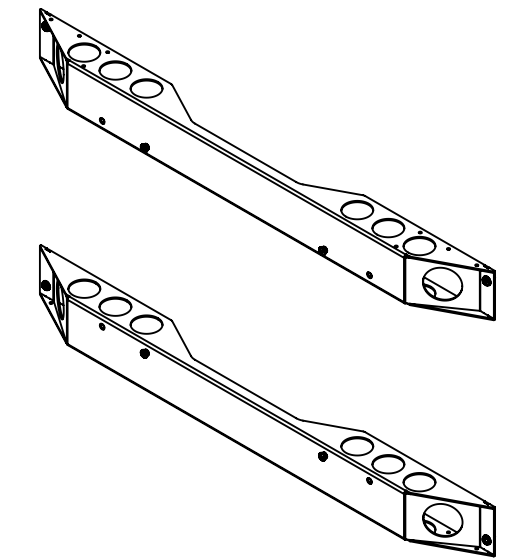
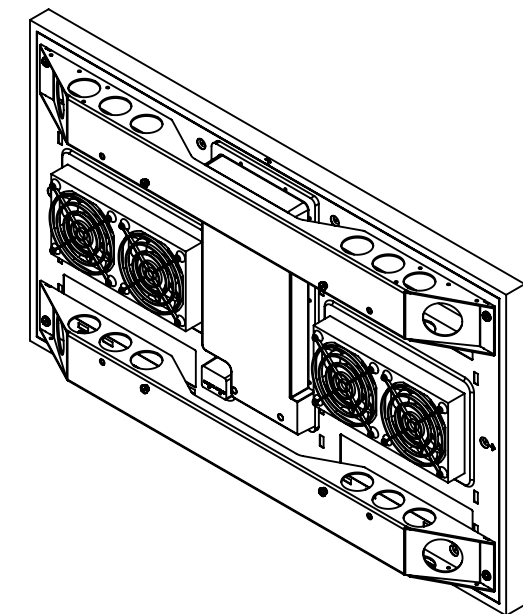
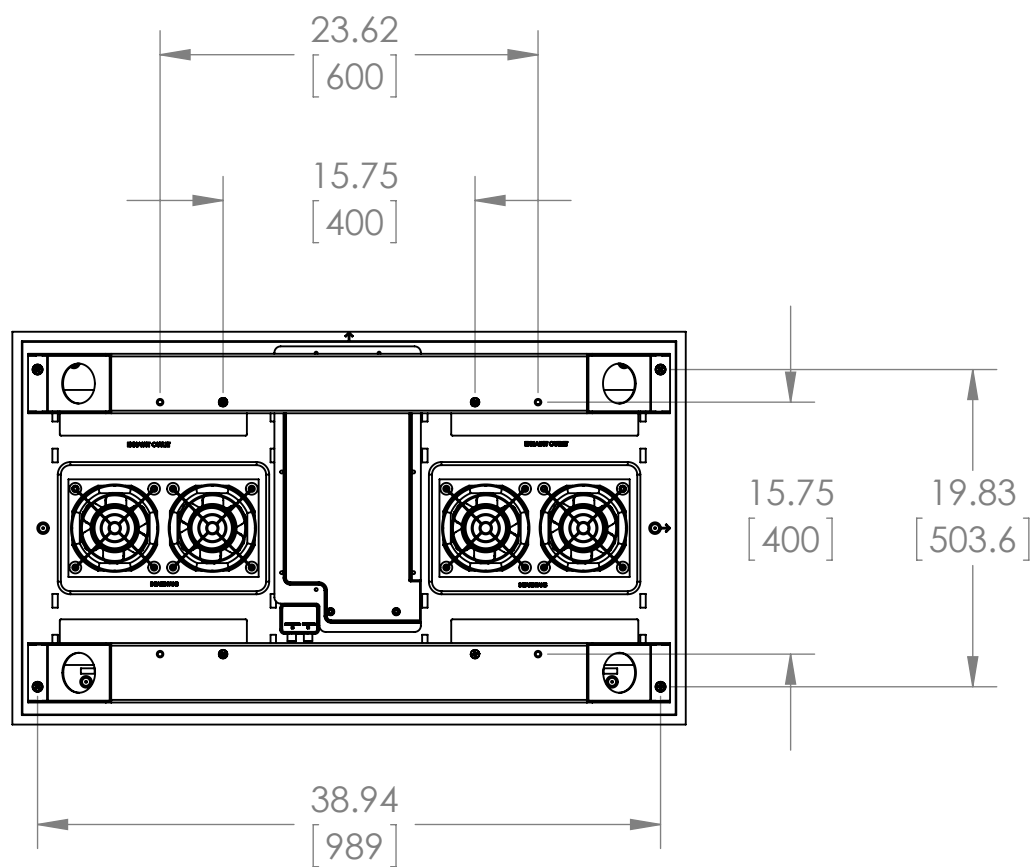
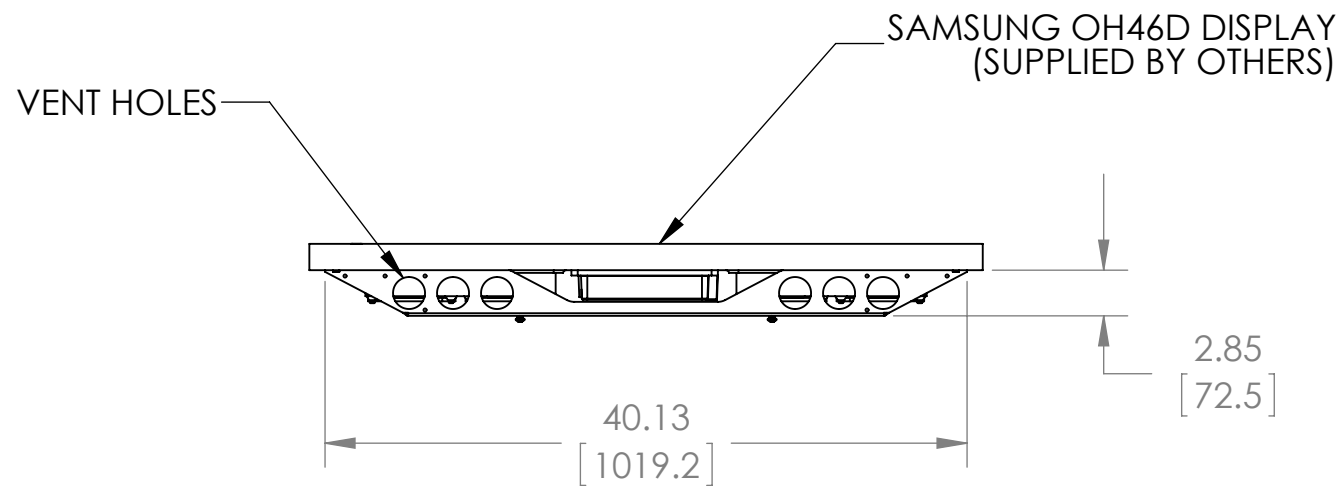


THE INFORMATION CONTAINED IN THIS DRAWING IS THE SOLE PROPERTY OF PREMIER MOUNTS DIVISION OF <PMPI> ANY REPRODUCTION IN PART OR WHOLE WITHOUT THE WRITTEN PERMISSION OF PREMIER MOUNTS DIVISION OF <PMPI> IS PROHIBITED.



DIMENSION ARE IN INCH AND [MM]
 MAXIMUM WEIGHT CAPACITY 140 LBS.

PREMIER MOUNTS
 1321 South State College Blvd
 Fullerton Ca, 92831
 P. 800.368.9700 - F. 800.832.4888

ITEM DESCRIPTION:
**SAMSUNG OH46D VESA
 EXTENSION ADAPTER**

SIZE B	DWG. NO. POH46-EA
SCALE: 1:12	SHEET 1 OF 1