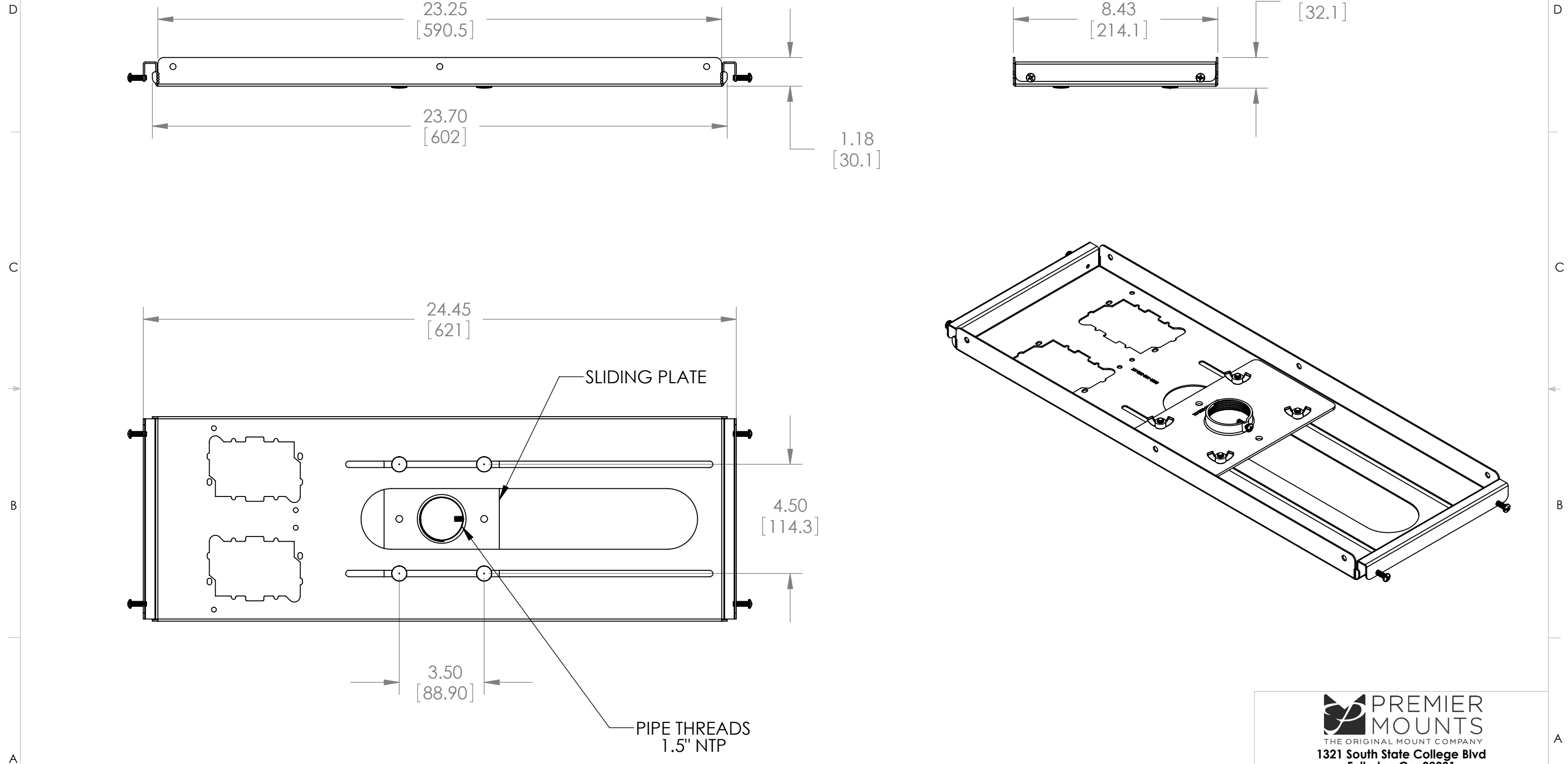


THE INFORMATION CONTAINED IN THIS DRAWING IS THE SOLE PROPERTY OF PREMIER MOUNTS DIVISION OF <PMPI> ANY REPRODUCTION IN PART OR WHOLE WITHOUT THE WRITTEN PERMISSION OF PREMIER MOUNTS DIVISION OF <PMPI> IS PROHIBITED.



205 Westwood Ave, Long Branch, NJ 07740  
 Phone: 866-94 BOARDS (26273) / (732)-222-1511  
 Fax: (732)-222-7088 | E-mail: sales@touchboards.com



MOUNTS.COM

WEIGHT CAPACITY: 50 LBS  
 DIMENSIONS ARE IN INCHES AND [MM]

**PREMIER MOUNTS**  
 THE ORIGINAL MOUNT COMPANY  
 1321 South State College Blvd  
 Fullerton Ca, 92831  
 P. 800.368.9700 - F. 800.832.4888

ITEM DESCRIPTION:  
**FALSE CEILING ADAPTER**

SIZE: B DWG. NO.: PP-FCTA

SCALE: 1:4 SHEET 1 OF 1