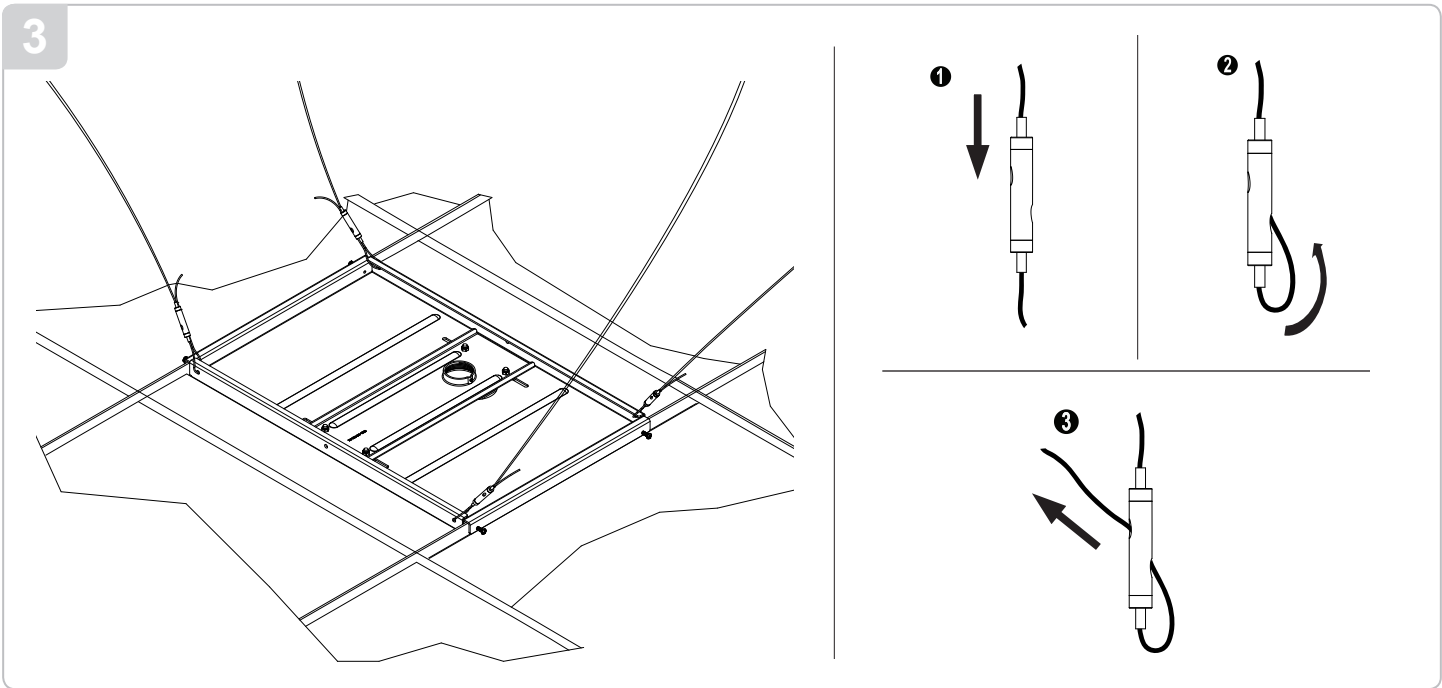
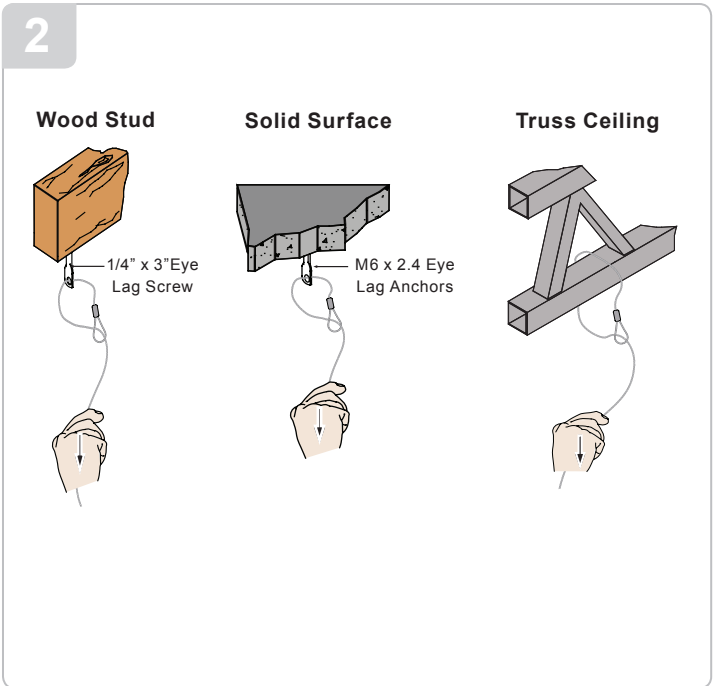
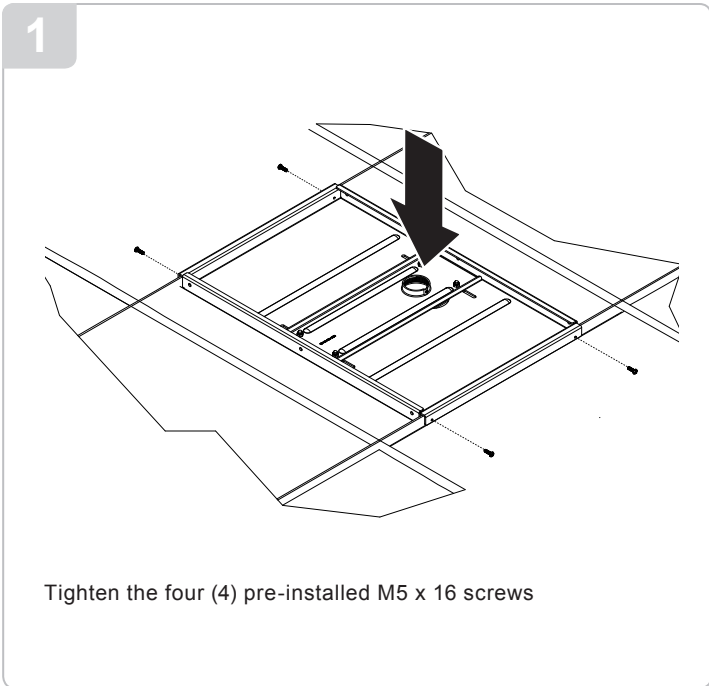
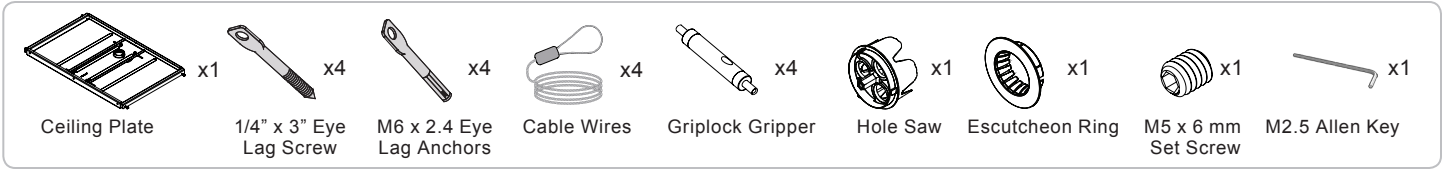
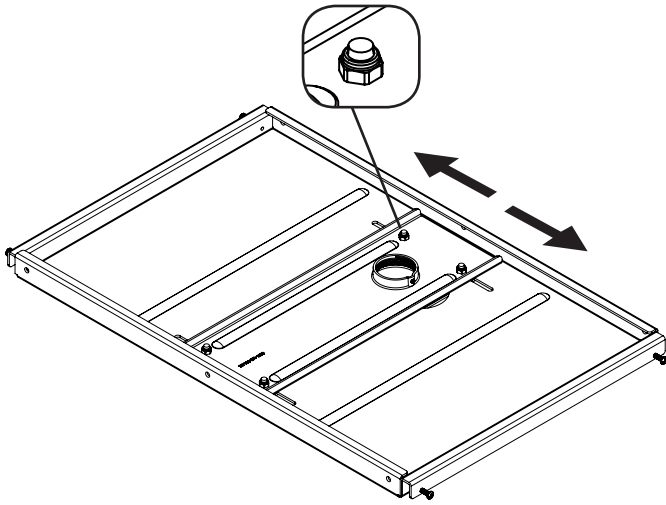


PP-HDFCP Installation Guide



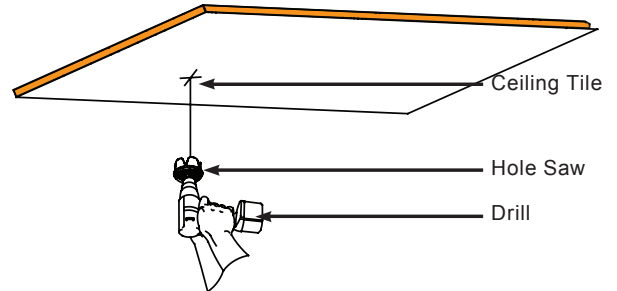
PP-HDFCP Installation Guide

Lateral Shift Adjustment

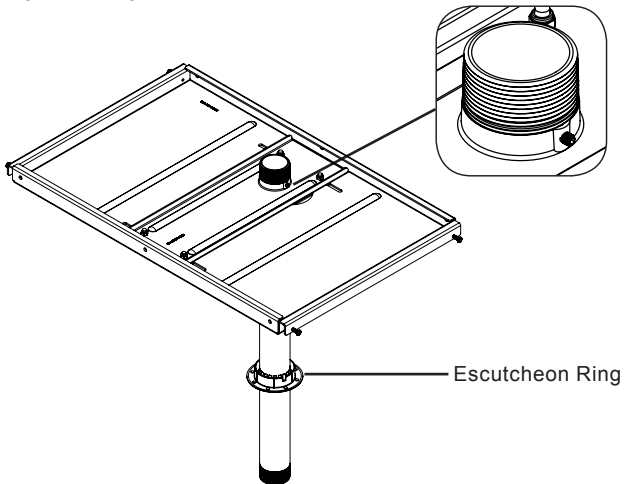


Loosen the four (4) M6 Nylon Lock Nut to make adjustments.

Cutting the Access Hole



Optional Pipe



Tighten the M5 x6 Set Screws using a M2.5 Allen Key.