

# Single Stud Tilt and Pivot Mount for Flat Panels

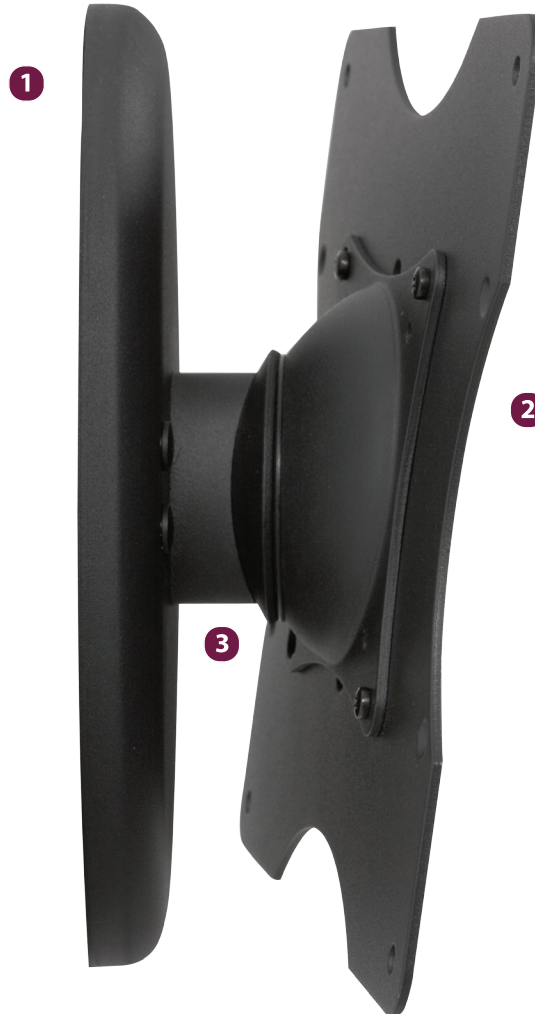
Model: **PTM, PTM-B**

Weight Capacity: 50 lb / 22.7 kg.

## Features

- 1** Elliptical back plate design combines sturdiness with an aesthetically pleasing design
  - 2** 360° screen rotation
  - 3** Radial Glide™ provides 15° of smooth adjustment in any direction
- OSHPD and DSA Approved (OPA-1680)
  - Set screws secure flat-panel to wall plate

The PTM Single Stud Tilt and Pivot Mount holds flat panel displays up to 50 lb. The wall mount offers 15° of smooth adjustment with Radial Glide™ and comes with cable routing holes to route cables directly into the wall for a clean appearance. OSHPD approved and UL listed, it is available in silver (PTM) or black (PTM-B).




205 Westwood Ave, Long Branch, NJ 07740  
 Phone: 866-94 BOARDS (26273) / (732)-222-1511  
 Fax: (732)-222-7088 | E-mail: sales@touchboards.com



Fits VESA patterns of 75x75, 100x100, 200x100, or 200x200 mm



PTM available in silver, or in black as model PTM-B



Set screws secure flat-panel to the wall plate

# VESA Tilt and Pivot Mount for Flat-panels

## PTM, PTM-B



### Specifications

<b>Color</b> PTM Silver PTM-B Black	<b>Weight Capacity / Mount</b> 50 lb.   22.7 kg	<b>Mounting Pattern</b> 75 x 75 mm (Min) - 200 x 200 mm (Max)	<b>Total Weight Capacity</b> 50 lb.   22.7 kg
<b>Width x Height x Depth</b> 3.94 - 8.88 x 9.5 x 2.84 in.   100 - 225 x 241 x 72 mm	<b>Weight</b> 6.44 lb.   2.9 kg	<b>Warranty</b> Lifetime	

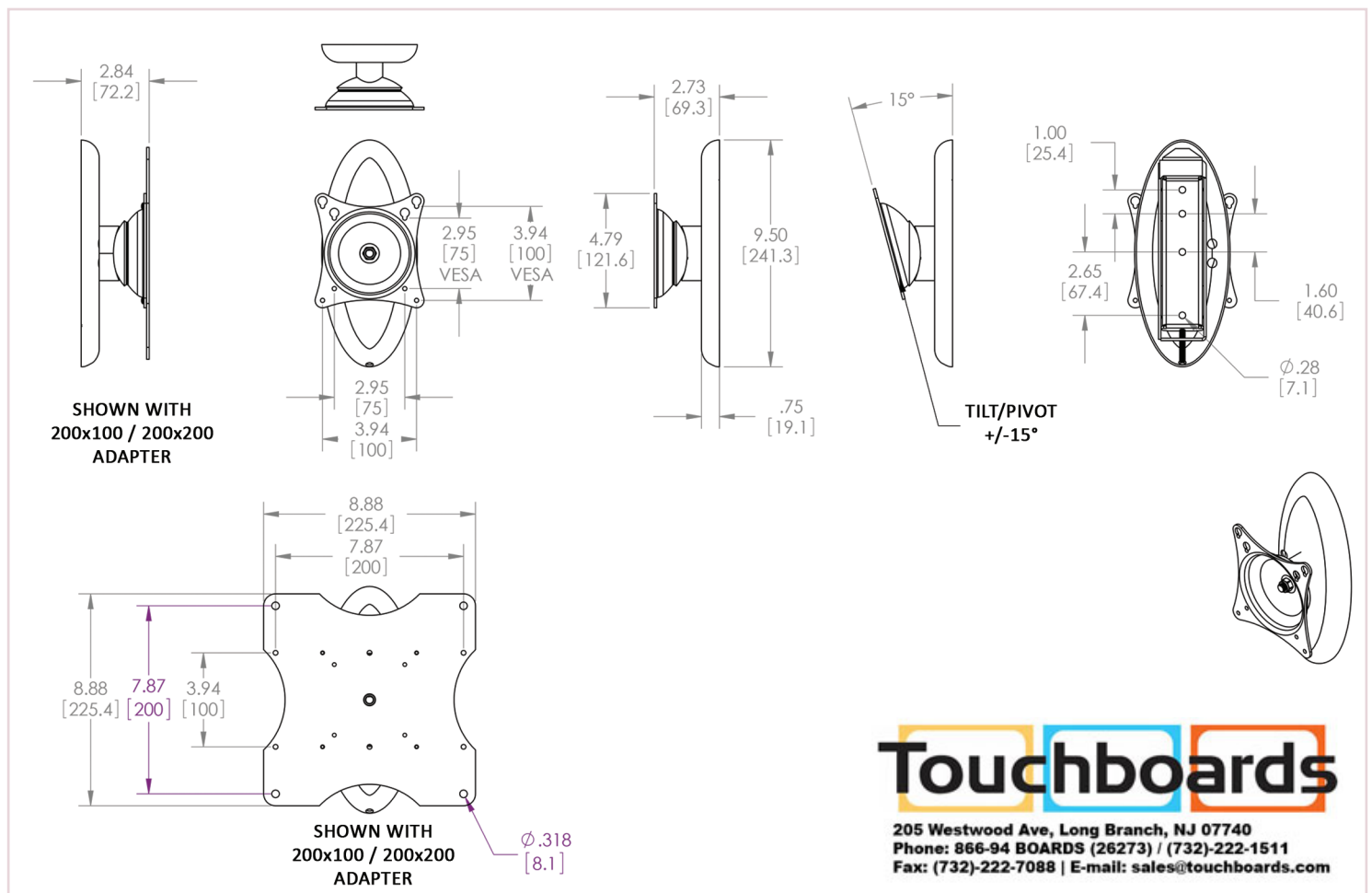
### Packaging

<b>Width x Height x Depth</b> 10 x 9.13 x 3.63 in.   254 x 232 x 92 mm	<b>Contents</b> Wall Mount (x1), UFP-280 Plate (x1), Universal Hardware Pack (x1)
---	--

### Accessories

 <p>Protected Mounting Frame for iPads with VESA Mounting Pattern <b>IPM-100</b></p>	 <p>VESA Adapter Plate 200 x 100 or 100 x 200 <b>UFP-220</b></p>
---	---

### Architectural Drawing



Specifications subject to change without notice