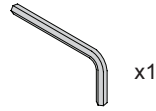
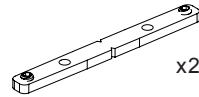


SYM-IB-EXT Installation Guide

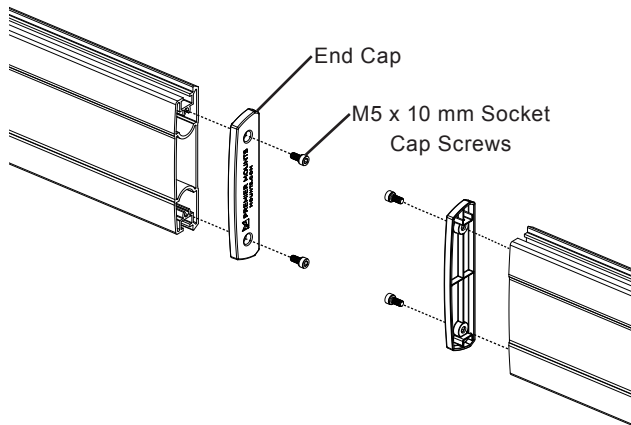


x1
5/32" or M4 Allen Key



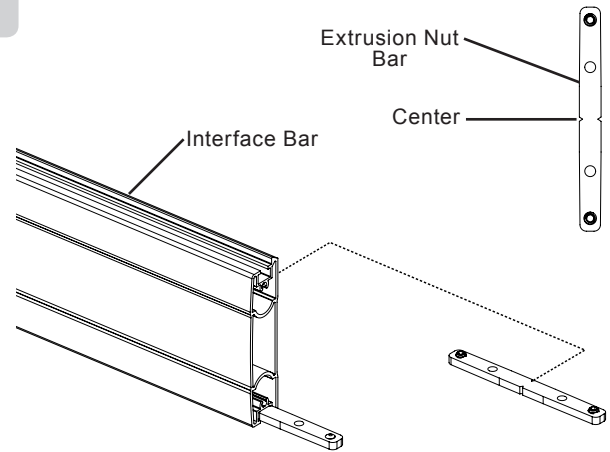
x2
Extrusion Nut Bar

1



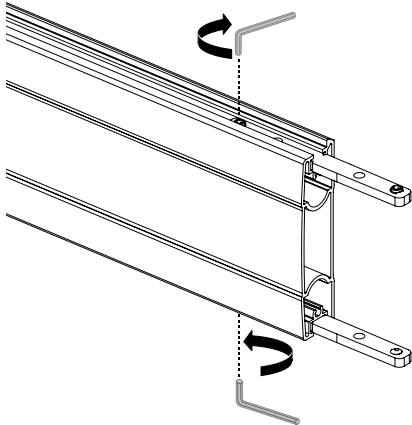
Remove the M5 x10 mm Socket Cap Screws and End Caps using a 5/32" or M4 Allen Key.

2



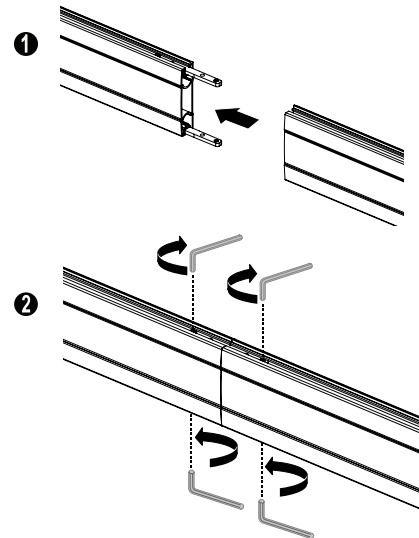
Insert the Extrusion Nut Bars into the Interface Bar. The center of the Extrusion Nut Bar meets the edge of the Interface bar.

3



Tighten the M8 x 10mm set screws on the Extrusion Nut Bar using a 5/32" or M4 Allen Key.

4

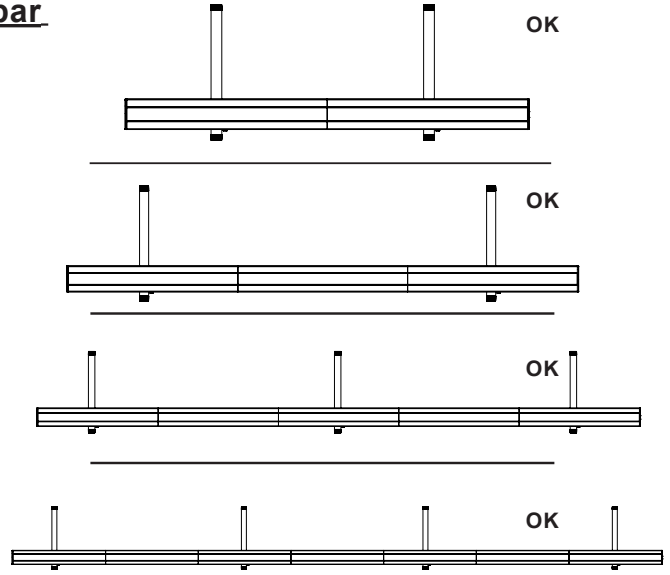
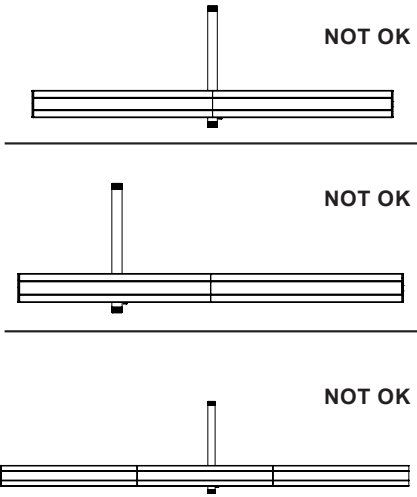


Insert the Interface Bar and tighten the M8 x 10mm set screws on the Extrusion Nut Bar.

SYM-IB-EXT

Installation Guide

Proper and Improper use of Extrusion nut bar

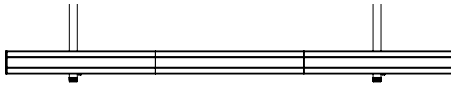


Max Load Per Display

175 lbs 175 lbs = 350 lbs



116 lbs 116 lbs 116 lbs = 350 lbs



88 lbs 88 lbs 88 lbs 88 lbs = 350 lbs

