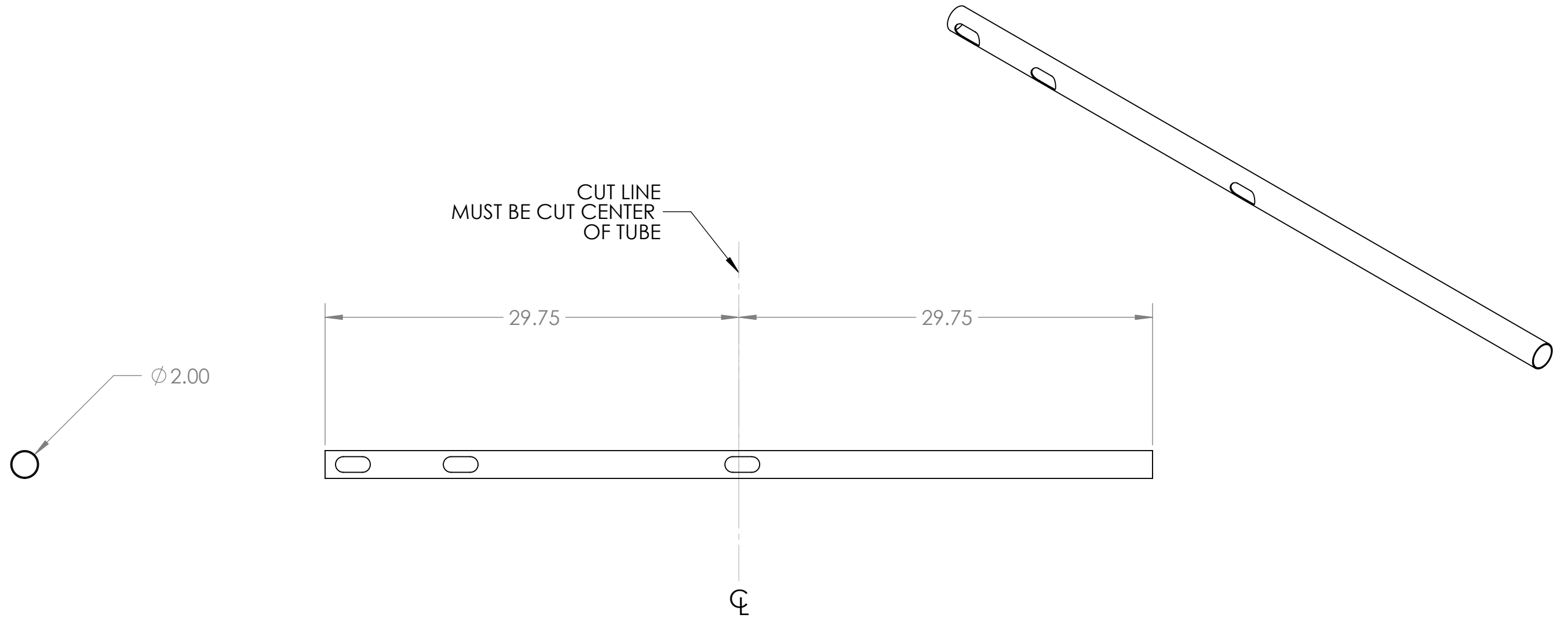


THE INFORMATION CONTAINED IN THIS DRAWING IS THE SOLE PROPERTY OF PREMIER MOUNT DIVISION OF <PMPI> ANY REPRODUCTION IN PART OR WHOLE WITHOUT THE WRITTEN PERMISSION OF PREMIER MOUNT DIVISION OF <PMPI> IS PROHIBITED.

NOTE: ALL DIMENSIONS ARE FOR FABRICATION ASSY AND VERIFICATION ONLY. GEOMETRY IS CONTROLLED AND MAINTAINED BY CAD FILE.

REVISIONS				
ZONE	REV.	DESCRIPTION	DATE	APPROVED



NOTES:
1. INTERPRET DRAWING PER (Y14.5)

UNLESS OTHERWISE SPECIFIED
DIMENSIONS ARE IN INCHES
TOLERANCES ARE:
FRACTIONS DECIMALS ANGLES
±1/32 .X ± .02 ± 1/2°
.XX ± .01
.XXX ± .005



"CONFIDENTIAL"

2" TUBE X 60" LG INNER CLAMP STYLE

RESP ENG	ANGEL CONTRERAS	DO NOT SCALE DRAWING CAD GENERATED DRAWING, DO NOT MANUALLY UPDATE	DRAWN BY	AC	DATE:	3/21/19
APPROVAL	LEN DOZIER		SIZE	B	DWG. NO.	T60-1-2
MATERIAL	2.0" X .084 WALL STEEL TUBE (HOT ROLLED JIS G 3131) HRB 90	REFERENCE	WEIGHT		REV.	01
FINISH	SEE NOTES:			SCALE:	1:8	SHEET 1 OF 1