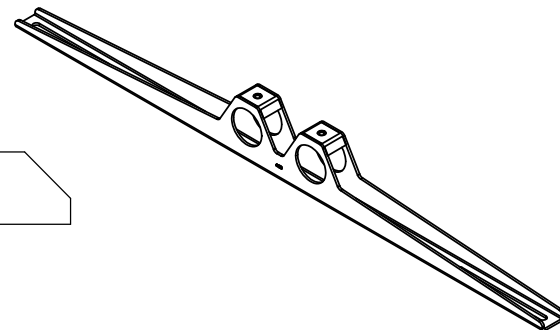
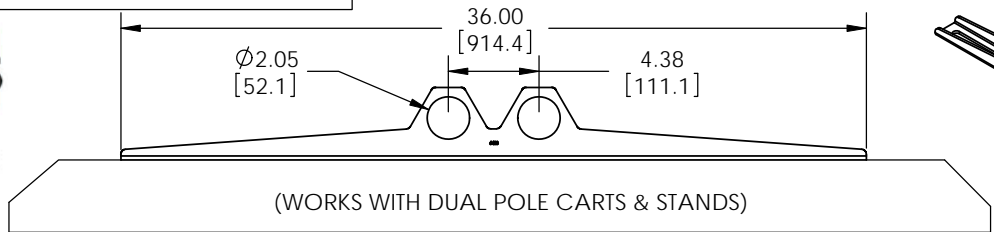


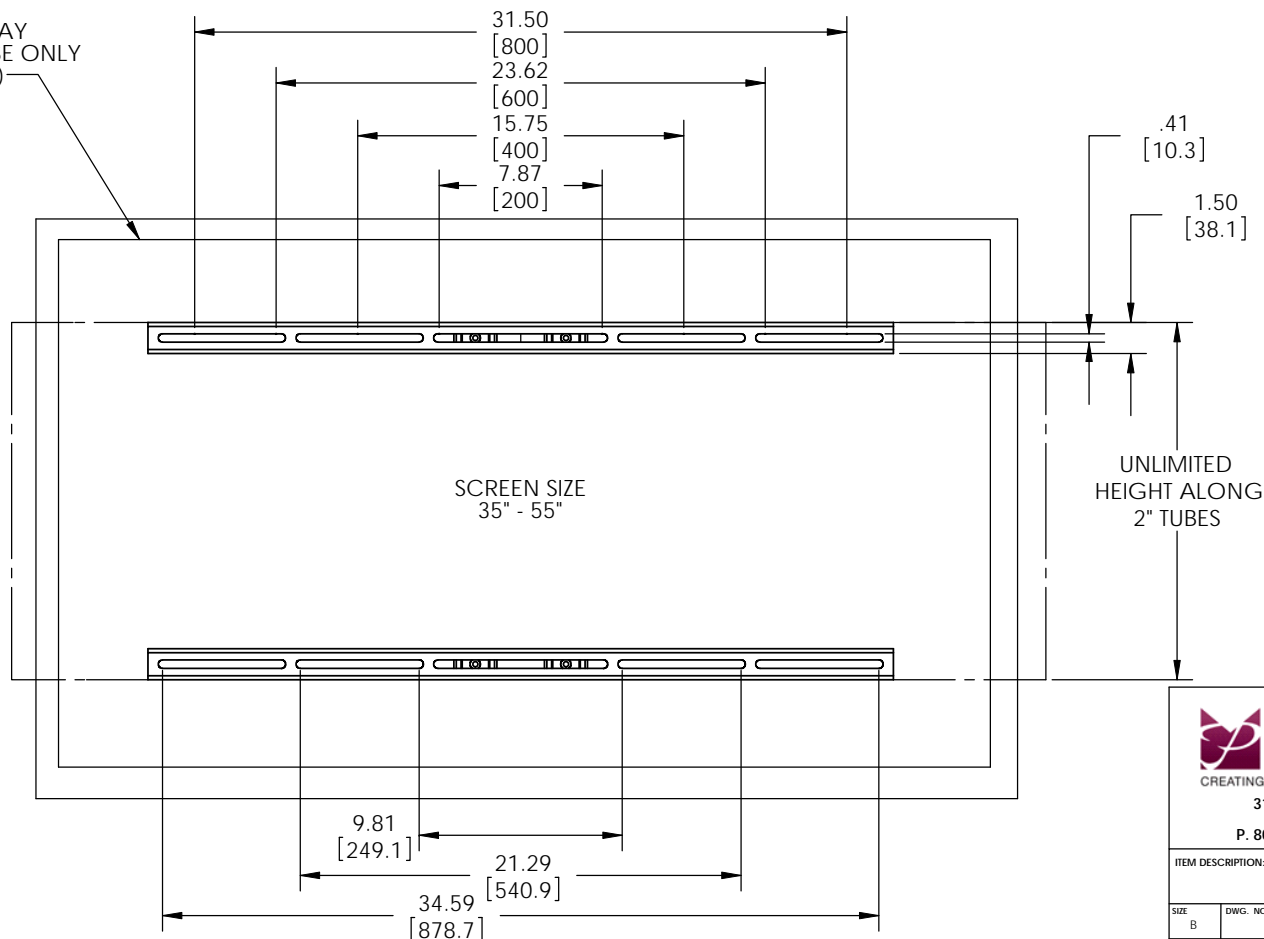
THE INFORMATION CONTAINED IN THIS DRAWING IS THE SOLE PROPERTY OF PREMIER MOUNTS DIVISION OF <PMPI>. ANY REPRODUCTION IN PART OR WHOLE WITHOUT THE WRITTEN PERMISSION OF PREMIER MOUNTS DIVISION OF <PMPI> IS PROHIBITED.



205 Westwood Ave, Long Branch, NJ 07740
 Phone: 866-94 BOARDS (26273) / (732)-222-1511
 Fax: (732)-222-7088 | E-mail: sales@touchboards.com



(FLAT PANEL DISPLAY FOR DIAGRAM PURPOSE ONLY (NOT INCLUDED))



3.50 [88.9]

31.50 [800]
 23.62 [600]
 15.75 [400]
 7.87 [200]

.41 [10.3]

1.50 [38.1]

9.81 [249.1]

21.29 [540.9]

34.59 [878.7]



3130 East Miraloma Avenue
 Anaheim, CA 92806
 P. 800.368.9700 - F. 800-832.4888

ITEM DESCRIPTION:		UFA	
SIZE	DWG. NO.		
B			
SCALE: 1:6		SHEET 1 OF 1	

MOUNTS.COM