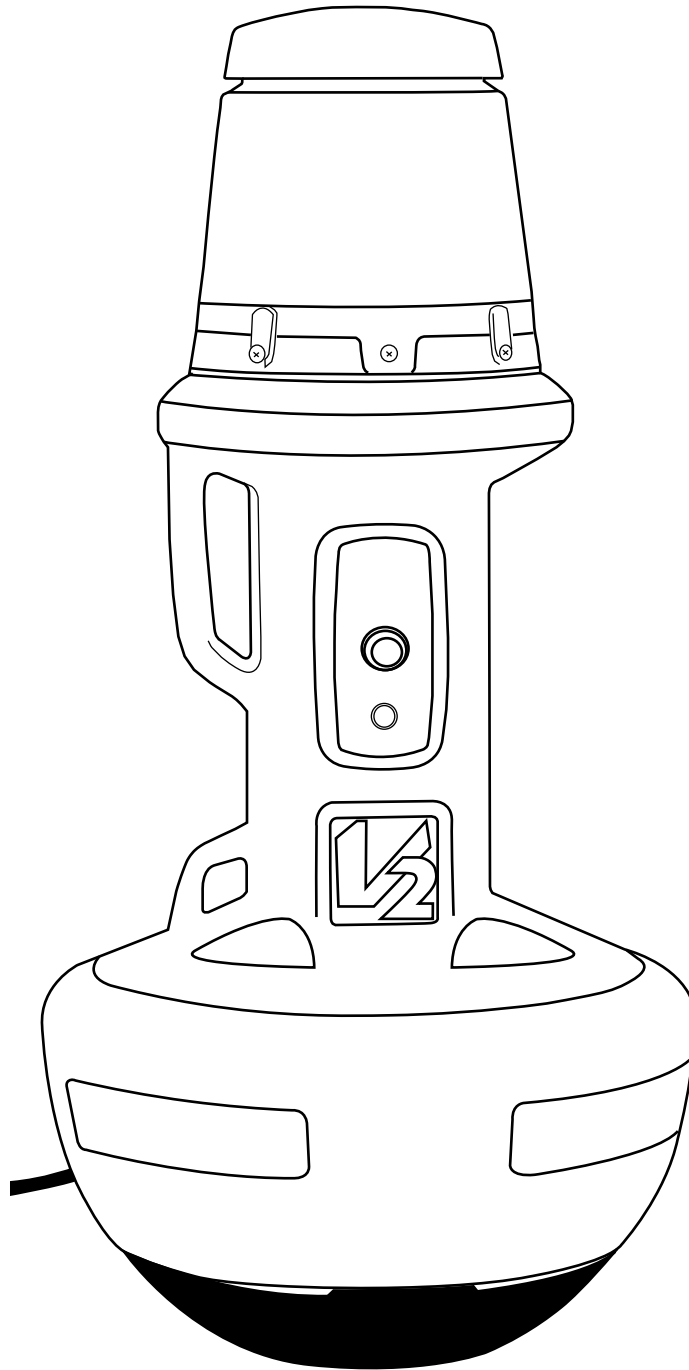




ProBuilt | Professional
Lighting, LLC
Designed for the Pros

WOBBLELIGHT® V2



Safety, operation and maintenance instructions



by **ProBuilt** | Professional Lighting, LLC

Manufactured by ProBuilt Professional Lighting, LLC: 877-707-0800

IMPORTANT SAFETY INSTRUCTIONS

WARNING !!!

READ AND UNDERSTAND ALL INSTRUCTIONS

Failure to follow all instructions listed below may result in electric shock, fire and/or serious injury.

SAVE THESE INSTRUCTIONS

This manual contains important safety and operating instructions for Wobblelight® portable job site lighting. Before using Wobblelight®, please review all of the following safety instructions carefully and read all labels on the Wobblelight® unit.

INSTRUCTIONS PERTAINING TO THE RISK OF FIRE, ELECTRIC SHOCK, EXPOSURE TO UV RADIATION AND INJURY TO PERSONS:

WARNING: To reduce the risk of fire, electric shock or injury to persons:

- DO NOT connect Wobblelight® to a power source unless the unit is completely and properly assembled.
- LED arrays may get EXTREMELY HOT immediately upon illumination and can cause burns.
- LED arrays can stay hot for an extended period of time after the Wobblelight® V2 unit has been turned off, and can continue to cause burns.
- To avoid risk of serious eye injury from the intense light, do not stare at the LED array when it is illuminated.
- Suitable for Wet Location Use (IP54 Rated)
- For use only on GFCI protected circuits.
- DO NOT operate the Wobblelight® V2 in a continuous and unattended manner for extended periods of time.
- CAUTION: RISK OF ELECTRIC SHOCK. Do not use with an extension cord near water or where water may accumulate. Keep unit at least 16 feet away from pools and spas. Keep plugs and receptacles dry.
- DO NOT SUBMERSE. DO NOT USE Wobblelight® V2 where there is potential for excessive or continuous exposure to moisture from rain, snow, ice, water spray or standing water.
- Connect Wobblelight® only to 120 volt, 60 Hz power source which is protected with a ground-fault circuit interrupter (GFCI) and over-current protection which is rated no higher than 15 amps. Any other connection voids warranty.
- DO NOT attempt to remove or replace the protective lens unless the Wobblelight® V2 unit is disconnected from the power source and the LED array has completely cooled.
- DO NOT operate the Wobblelight® V2 without the protective lens intact and secured the unit at all times.
- Keep away from flammable materials.
- DO NOT cover or attempt to seal the lens in any manner as this may restrict the internal air flow and subsequent cooling effect on the LED array.
- Wobblelight® V2 must be operated in the upright position only. DO NOT mount Wobblelight® units upside down or restrain them such that they lay on their side.
- Use only approved extension cords in good condition and of the appropriate type, gauge and length.
- Keep extensions cord plugs dry and use ground fault circuit interrupter (GFCI) devices in accordance with all applicable electrical code requirements.

- Keep extension cords and plugs in good working condition at all times and inspect them frequently for signs of wear or damage.
- Inspect the Wobblelight® power cord and plug frequently for signs of wear and do not use if damaged.
- DO NOT move, relocate or drag the Wobblelight® V2 by pulling on the power cord. The Wobblelight® V2 should only be moved with the handle.
- USE EXTREME CAUTION when hoisting the Wobblelight® V2. Carefully inspect the Wobblelight® V2 housing, hoisting point and hoisting system to insure it is safe. Keep the area clear underneath the Wobblelight® V2 being lifted. DO NOT hoist the Wobblelight® V2 by anything other than the hoisting point.
- DO NOT operate Wobblelight® V2 units with the protective dome and cap missing or broken. DO NOT use Wobblelight® V2 units with a broken housing, broken lens or damaged power cord.
- Take any damaged Wobblelight® V2 units out of service immediately. Replacement parts and/or repair services are available from ProBuilt or a local authorized service center.
- The Wobblelight® V2 is equipped with two redundant internal automatic high-temperature shut-off devices. If a Wobblelight® V2 begins to cycle off and on by itself, this is an indication that these shut-offs are tripping and the unit should be taken out of service immediately.
- DO NOT operate Wobblelight® V2 units which have experienced a failure of the internal cooling fan. The fan operation can be verified by the sounds of it running and by a stream of airflow exiting the lens.
- DO NOT attempt to remove or alter the Wobblelight® LED array.
- Use only designated replacement parts of the appropriate type.
- DO NOT expose Wobblelight® V2 to intense heat or sparks from welding slag, cutting torches, metal saws, etc.
- DO NOT expose Wobblelight® V2 to corrosive chemicals, excessive paint spray or abrasive blasting materials.
- Disassembly of Wobblelight® V2 will void the warranty. Contact ProBuilt or a local authorized service center for repairs and replacement parts.
- Receptacle to be used only for interlinking units

INSPECTION:

The Wobblelight® V2 is a high-performing specialty tool and therefore should be routinely inspected to insure all units remain in proper working condition at all times.

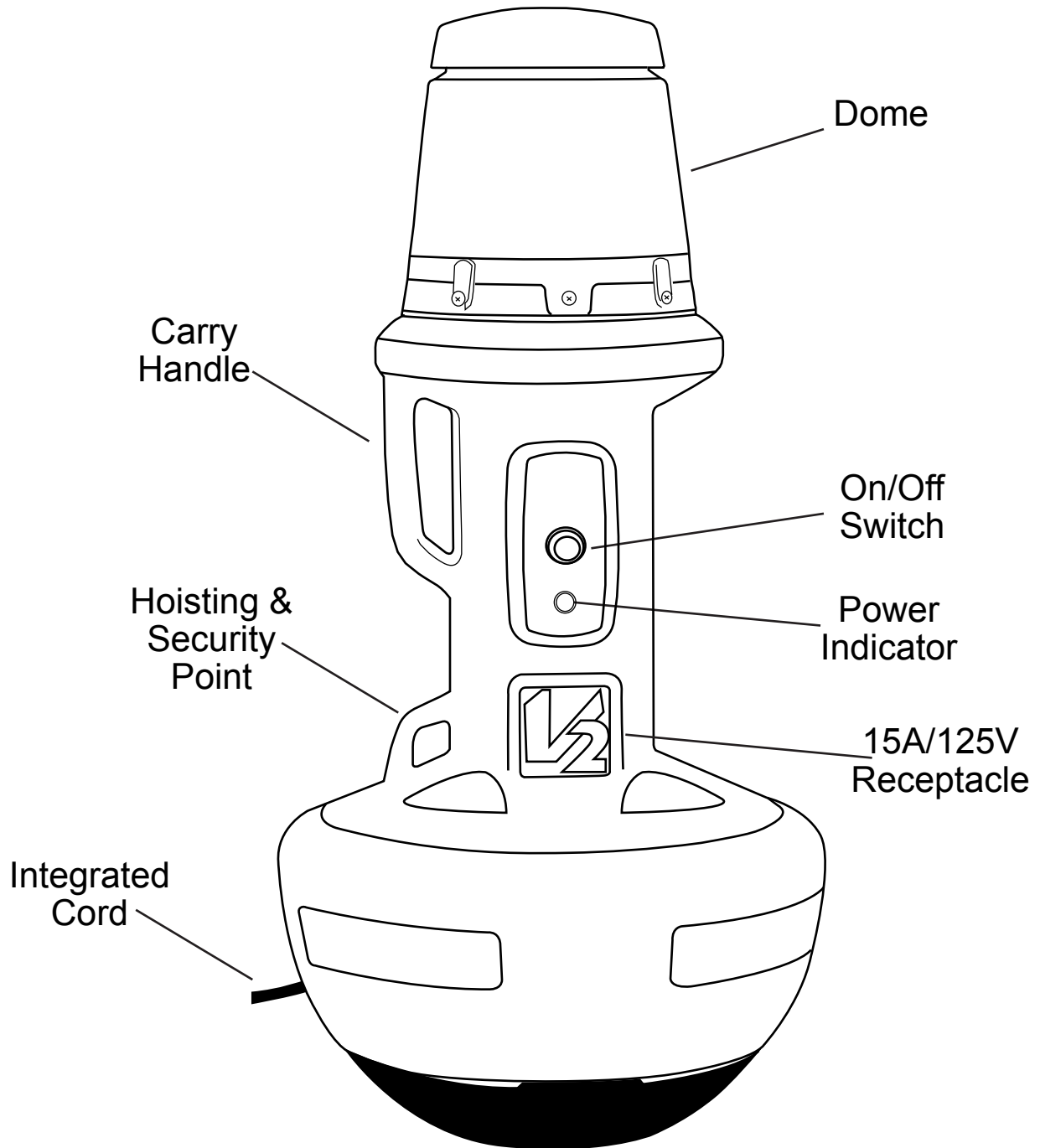
Specific recommendations for routine inspection include the following:

1. Assign all Wobblelight® V2 units to the tool crib to increase accountability and clarify responsibility for maintaining the units in safe, working order.
2. Allow only qualified electricians or other trained personnel to set up, inspect and maintain Wobblelight® V2 units.
3. Establish a regular schedule for cleaning and inspection for all Wobblelight® V2 units in service.
4. When repairs are necessary, use only specified replacement parts. Contact ProBuilt or a local authorized repair center.
5. Take Wobblelight® V2 units out of service as they become damaged or abused to the point of having questionable safety or integrity.
6. Consider developing an internal safety procedure for use, inspection and maintenance of Wobblelight® V2 units in accordance with the information contained herein and other site safety requirements.

WARNING: Deviation from these instructions may result in the increased risk of fire, electric shock, injury to persons or property damage.

SAVE THESE INSTRUCTIONS

Model No.	Lumens	Lighting Range	Bulb Type	Lamp Life Hours	Kelvins	Watts	Amp Draw	Voltage	Temp Rated	Tested	Linking Units	Cord Type	IP Rating	Weight
111301LED	12,000	50 ft.	LED	50,000	5,000	150	1.25	120V	-40°F - 125°F	cUL	6	16/3 SJOOW	IP54	31 lbs



Wobblelight® V2 General Operating Instructions

ASSEMBLY

Your Wobblelight® V2 is provided fully assembled and ready for use out of the carton.

If there are any parts missing or damaged, please DO NOT contact your Wobblelight® retailer. Please contact ProBuilt Customer Service toll-free at 877-707-0800 or by e-mail at customerservice@probuiltilighting.com

OPERATION

By following the safety and operating instructions in this manual, your Wobblelight® V2 should endure normal use and operate trouble-free for years.

Step 1: Connect Wobblelight® to proper electrical power source.

Step 2: Turn switch to “on” position.

Step 3: Place Wobblelight® V2 in desired location.

Wobblelight® LIMITED WARRANTY INFORMATION

Manufacturer’s Limited Warranty

Wobblelight® products manufactured by ProBuilt Professional Lighting are warranted against defects in material and workmanship for a period of one year from date of purchase. ProBuilt Professional Lighting will repair or replace any defects due to faulty materials or workmanship during the warranty period. Proof of purchase and compliance with all product use information is required. A restocking fee of 15% will be charged for all returns determined to be non-defective. Shipment or delivery of defective products for warranty repair or replacement is the responsibility of the purchaser.

EXCLUSIONS. This warranty does not cover:

- Physical damage to plastic components including (but not limited to) lens, cap, housing, base and power cord.
- Damages or repairs of any kind to any products, items or personal or other property resulting from use of the Wobblelight® product.
- Damages or repairs of any kind to any products, items or personal or other property caused by accidents, abuse or misapplication of the Wobblelight® product.
- Failure of the Wobblelight® product to meet your requirements that differ from our specifications.
- Damages or repairs of any kind to any products, items or personal or other property caused by use of the Wobblelight® product that is contrary to the instructions or documentation accompanying your Wobblelight® product.
- Costs of shipment or delivery for any returns or repairs under this Limited Product Warranty.
- Damages or repairs of any kind to any products, items or personal or other property from fire, flood, moisture, heat, acts of God or causes beyond the control of ProBuilt Professional Products LLC.
- The repair or replacement of a Wobblelight® product that has been transferred to anyone other than the original purchaser.
- Damages or repairs of any kind to any products, items or personal or other property where repairs or alterations have been attempted or performed by the purchaser or others.

QUESTIONS OR PROBLEMS?

Call ProBuilt Customer Service and Technical Support at
877-707-0800 (Monday-Friday from 8 am until 5 pm Central time) or e-mail to
customerservice@probuiltilighting.com anytime.