



## Installation and User Guide

205 Westwood Ave, Long Branch, NJ 07740  
Phone: 866-94 BOARDS (26273) / (732)-222-1511  
Fax: (732)-222-7088 | E-mail: sales@touchboards.com



# ActivSoundBar

TP-1866-UK



## Copyright Information

TP-1866-UK-V01 © 2014 Promethean Limited. All rights reserved.

Promethean is owner of a number of trademarks in several jurisdictions across the world. The Promethean products documented in this guide include aspects which are protected under their respective patent, copyright, design copyright, registered design and trademark laws.

All other trademarks remain the property of their respective owners.

This guide is distributed online. It may only be reproduced for use within the institution in which the product is used. For use outside of your institution, no part of this guide may be reproduced, transmitted, stored in a retrieval system or translated into any other language without the prior permission of Promethean Limited.

Please note that the content in this guide is protected under copyright law.

Although every care has been taken in the compilation of this guide, Promethean Limited accepts no responsibility for errors or omissions, or for damages resulting from the use of information contained within the following pages.

# Contents

Welcome	5
Safety Information	5
Environmental Considerations	10
Features	10
Box Contents	11
You Will Need	11
Installation	13
Installation A - Attach ActivSoundBar to pre-drilled ActivBoard Touch	13
Installation B - Attach ActivSoundBar to Wall	15
Installation C - Drill ActivBoard Touch and Attach ActivSoundBar	16
Setup	18
Activating the Remote Control	19
Replacing the Battery	19
Connections	20
Controls and Indicators	21
Back Panel	21
Front Panel	21

# Contents

Remote Control	22
Cleaning	23
Cleaning the Bezel and Remote Control	23
Troubleshooting	23
More Information	25
Technical Support	25
Promethean Planet	25
Compliance Statements	26
United States of America	26
Canada	26
EU	26

# Welcome

Thank you for purchasing an ActivSoundBar from Promethean. The ActivSoundBar provides a powerful, high-quality sound solution for most classrooms. It is offered as an option for the Promethean ActivBoard Touch and can either be wall-mounted, or affixed directly to the top edge of the board.

## Safety Information

The installation of this product should be completed by a Promethean Certified Installer. Use of components not supplied by Promethean or not meeting minimum specifications may impact performance and affect warranty. Contact your Promethean partner or visit [www.prometheanKB.com](http://www.prometheanKB.com) for more information.

Only use the interchangeable plug or adapter which is compatible with your mains outlet socket. If you are unsure of the electrical compatibility of your equipment, please contact Promethean or an authorised Promethean service agent before attempting to connect the unit to the mains supply.

The product does not contain any user serviceable parts and must not be opened. If you suspect that the ActivSoundBar is damaged or faulty, you should contact Promethean or an authorised Promethean service agent for advice.

Inspect the product for physical damage to the casing before use. If damage is apparent, take care to avoid contact with any potentially live parts.

The ActivSoundBar does not contain any user serviceable parts. You should not attempt, under any circumstances, to gain access to internal parts of the product.

This product is designed and manufactured to operate within defined design limits, and misuse may result in electric shock or fire. To prevent the product from being damaged, the following rules should be observed for the installation, use and maintenance of the product.

For Promethean Warranty Terms and Conditions, please visit:

[www.PrometheanWorld.com/ActivCare](http://www.PrometheanWorld.com/ActivCare)

For online Technical Support for all Promethean Products, please visit:

[www.PrometheanKB.com](http://www.PrometheanKB.com)



**IMPORTANT SAFETY INSTRUCTIONS**




Read these instructions – All the safety and operating instructions should be read before this product is operated.

Keep these instructions – The safety and operating instructions should be retained for future reference.

Heed all warnings – All warnings on the appliance and in the operating instructions should be adhered to.

Follow all instructions – All operating and use instructions should be followed.

<p><b>WARNING:</b></p>	<p>To reduce the risk of fire or electric shock, do not expose this product to smoke, rain, dust or moisture!</p>
<div style="border: 1px solid black; padding: 10px; text-align: center;">  <p><b>CAUTION</b> RISK OF ELECTRIC SHOCK DO NOT OPEN</p> <p><b>WARNING: SHOCK HAZARD. DO NOT OPEN</b> <b>AVIS: RISQUE DE CHOC ELECTRIQUE, NE PAS OUVRIR</b></p> </div>	
<p>The lightning flash with arrow-head symbol, within an equilateral triangle, is intended to alert the user to the presence of non-insulated “dangerous voltage” within the product’s enclosure that may be of sufficient magnitude to constitute a risk of electric shock to persons.</p> <p>The exclamation point within a triangle is intended to alert the user to the presence of important operating and maintenance (servicing) instructions in the literature accompanying the appliance.</p>	
<p>Caution:</p>	<p>To reduce the risk of electric shock, do not remove cover (or back). No user-serviceable parts inside. Refer servicing to qualified service personnel.</p>

## Safety Information

- Do not use this apparatus near water – The appliance should not be used near water or moisture – for example, in a wet basement or near a swimming pool, and the like.
- Clean only with dry cloth.
- Do not block any ventilation openings. Install in accordance with the manufacture’s instructions.
- Do not install near any heat sources such as radiators, heat registers, stoves, or other apparatus (including amplifiers) that produce heat.
- Do not defeat the safety purpose of the polarized or grounding plug. A polarized plug has two blades with one wider than the other. A grounding plug has two blades and a third grounding prong. The wide blade or the third prong is provided for your safety. If the provided plug does not fit into your outlet, consult an electrician for replacement of the obsolete outlet.
- Protect the power cord from being walked on or pinched particularly at the plugs, convenience receptacles, and at the point where they exit from the apparatus.
- Only use attachments/accessories specified by Promethean.
- Use only with the cart, stand, or bracket specified by Promethean, or sold with the apparatus. When a cart or rack is used, use

caution when moving the cart/apparatus combination to avoid injury from tip-over.





- Unplug the apparatus during lightning storms or when unused for long periods of time.
- Refer all servicing to qualified personnel. Servicing is required when the apparatus has been damaged in any way, such as power supply cord or plug is damaged, liquid has been spilled or objects have fallen into the apparatus has been exposed to rain or moisture, does not operate normally, or has been dropped.
- To avoid the risk of electric shock or component damage, switch off the power before connecting other components to the ActivSoundBar.
- Unplug the power cord before cleaning the ActivSoundBar. Do not use a liquid or a spray cleaner for cleaning the product. Do not use abrasive cleaners.

- When moving the ActivSoundBar from an area of low temperature to an area of high temperature, condensation may form on the housing. Do not turn on the ActivSoundBar immediately after this to avoid causing fire, electric shock or component damage.
- Do not place the ActivSoundBar on an unstable cart, stand, or table. If the ActivSoundBar falls, it can injure a person and cause serious damage to the appliance.
- Any heat source should maintain a distance of at least 5 feet (1.5m) away from the ActivSoundBar, i.e. radiator, heater, oven, amplifier etc.
- Do not install the product too close to anything that produces smoke or moisture. Operating the product close to smoke or moisture may cause fire or electric shock.
- Never push any object into the ventilation slots of the ActivSoundBar.
- Do not place any objects on the top of the product. It could short circuit parts causing a fire or electric shock. Never spill liquids on the ActivSoundBar.
- The ActivSoundBar should be operated only from the type of power source indicated on the label. If you are not sure of the type of power supplied, consult Technical Support or your local power company.
- Do not overload power strips and extension cords. Overloading can result in fire or electric shock.
- Only the marked power source can be used for the product. Any power source other than the specified one may cause fire or electric shock.
- Do not touch the power cord during thunderstorms. To avoid electric shock, avoid handling the power cord during electrical storms.
- Do not use the product if any abnormality occurs. If any smoke or odour becomes apparent, unplug the power cord and contact Technical Support immediately. Do not try to repair the product yourself.
- Avoid using dropped or damaged appliances. If the product is dropped and the housing is damaged, the internal components may function abnormally. Unplug the power cord immediately and contact Technical Support for repair. Continued use of the product may cause fire or electric shock.
- Do not install the product in an area with heavy dust or high humidity. Operating the product in such environments may cause fire or electric shock.
- Hold the power connector when removing the power cable. Pulling the power cable itself may damage the wires inside the cable and cause fire or electric shock. To avoid risk of electric shock, do not touch the connector with wet hands.



## Safety Information

- Do not install this equipment in a confined or building-in space such as a book case or similar unit, and remain a well ventilation conditions. The ventilation should not be impeded by covering the ventilation openings with items such as newspaper, table-cloths, curtains etc
- **WARNING:** To reduce the risk of fire or electric shock, do not expose this apparatus to rain or moisture. The apparatus shall not be exposed to dripping or splashing and that objects filled with liquids, such as vases, shall not be placed on apparatus.
- **WARNING:** The mains plug is used as disconnect device, the disconnect device shall remain readily operable.
-  This equipment is a Class II or double insulated electrical appliance. It has been designed in such a way that it does not require a safety connection to electrical earth.

	<h1>Warning!</h1>	<b>Do Not Ingest Battery Chemical Burn Hazard</b>
---	-------------------	---

The remote control supplied with this product contains a coin/button cell battery. If the coin/button cell battery is swallowed, it can cause severe internal burns in just two hours and can lead to death.

Keep new and used batteries away from children and pets.

If the battery compartment does not close securely, stop using the remote control and keep it away from children.

If you think the battery might have been swallowed or placed inside any part of the body, seek immediate medical attention.

Insert the coin/button cell battery into the remote control in accordance with the instructions in this guide.

**CAUTION:** Danger of explosion if battery is incorrectly replaced. Replace only with the same or equivalent type.

Incorrect polarity may cause damage or leakage of the battery, operating injury and contamination of the remote control.

If any of the following occurs, please contact Technical Support:

- The power connector fails or frays.
- Liquid sprays, or any object drops, into the ActivSoundBar.
- The ActivSoundBar is exposed to rain or moisture.
- The ActivSoundBar is dropped or damaged in any way.
- The performance of the ActivSoundBar changes substantially.

## Environmental Considerations

Temperature:

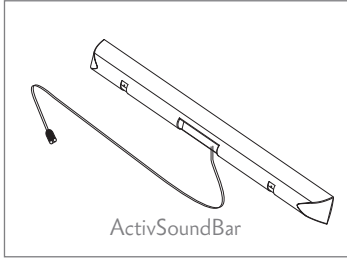
Relative Humidity (non condensing):

- Operating and Storage: -20°C to +45°
- Operating and Storage: 5% to 95%

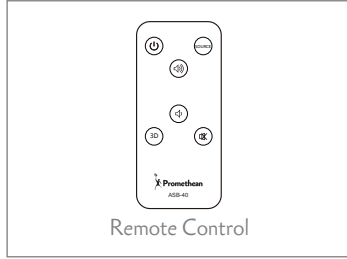
## Features

- Built-in high-performance class D amplifier
- 3D surround sound effect
- Can be directly connected to your TV, DVD or other audio device
- Energy saving design
- Low power consumption
- Full-function remote control
- Wall mounting available
- Uses 100V-240V ~50/60Hz AC power

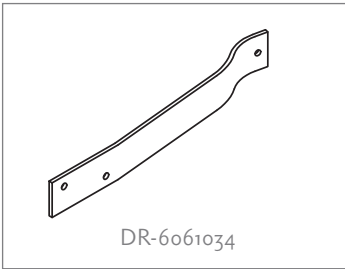
# Box Contents



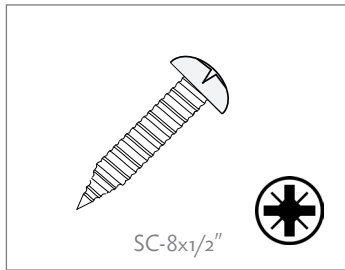
x1



x1



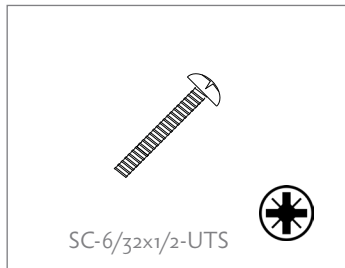
x2



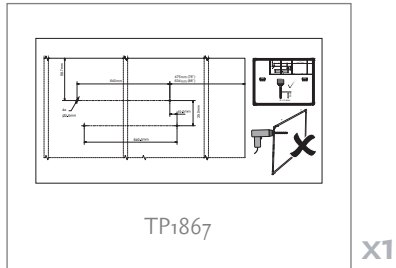
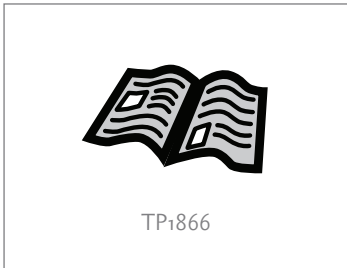
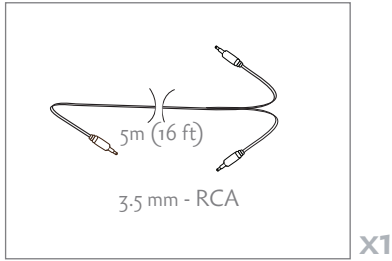
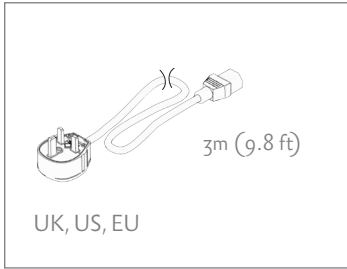
x4



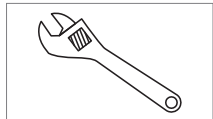
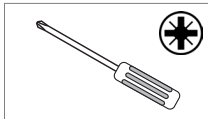
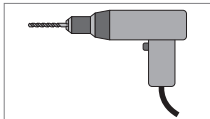
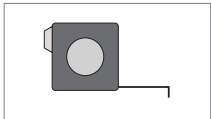
x2



x2

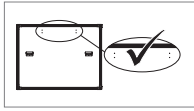


You Will Need

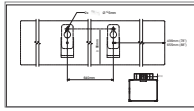


# Installation

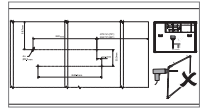
A



B

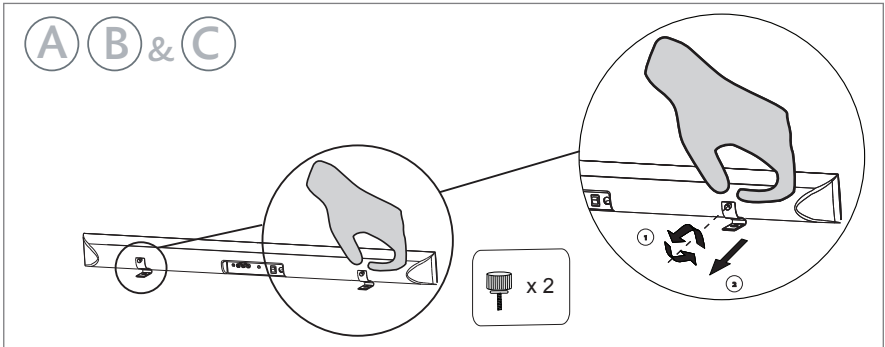


C

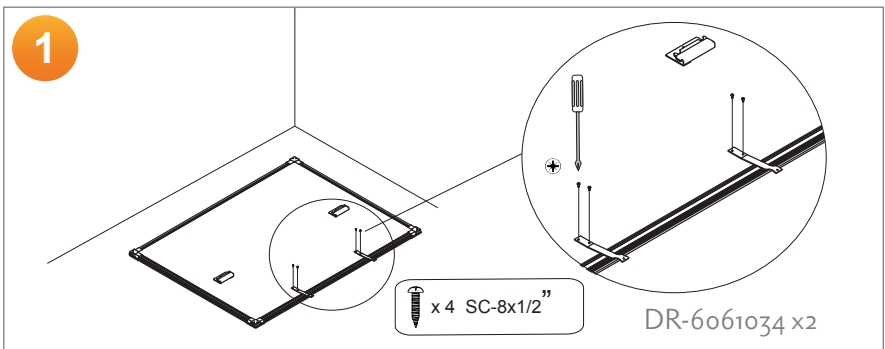


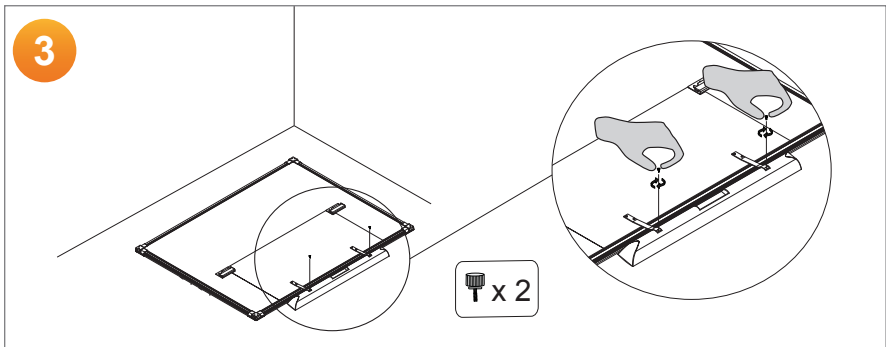
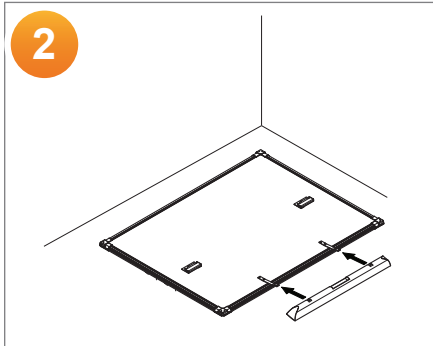
A

B & C



## Installation A

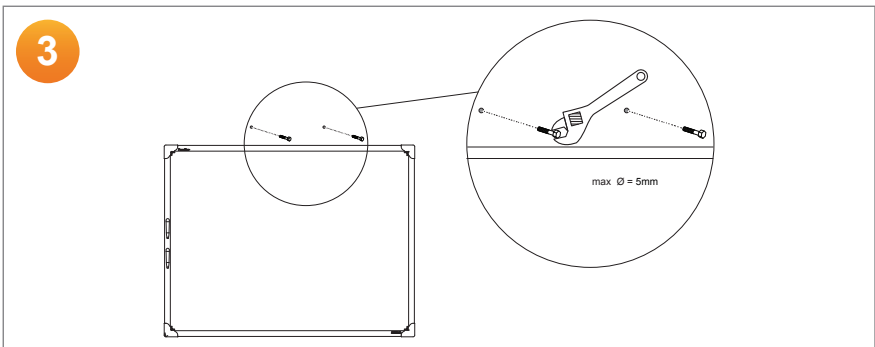
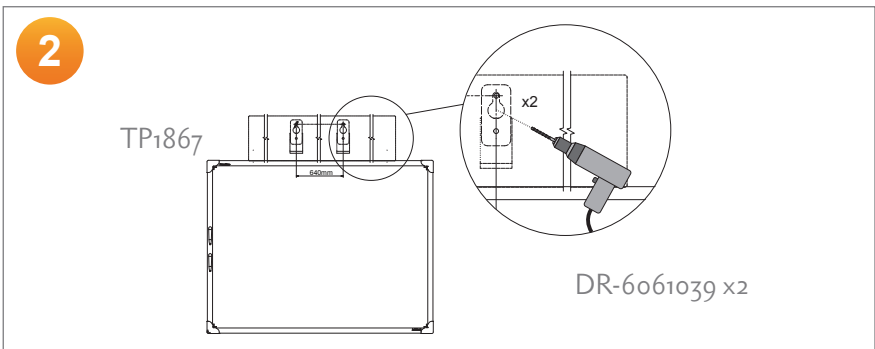
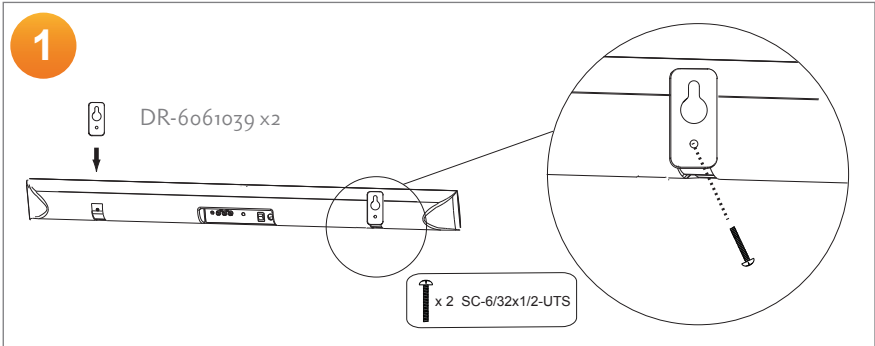


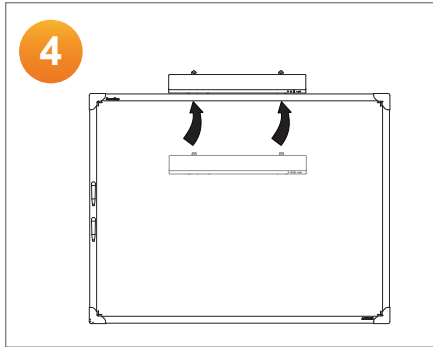


TP1865 ActivBoard Touch Installation and User Guide

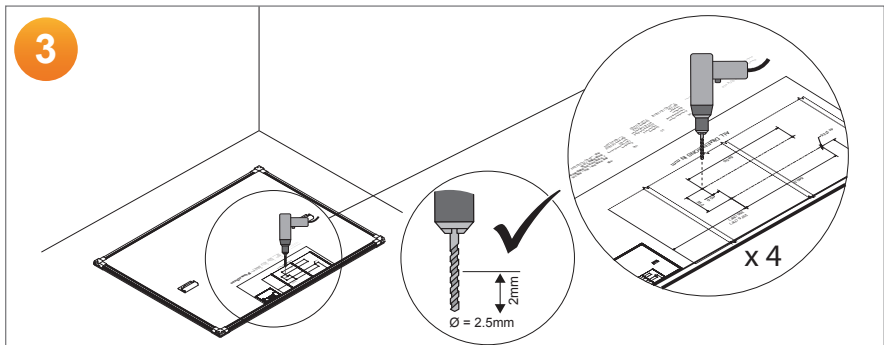
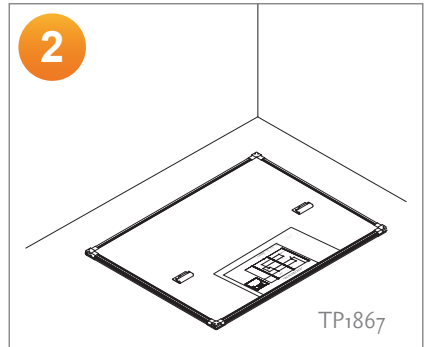
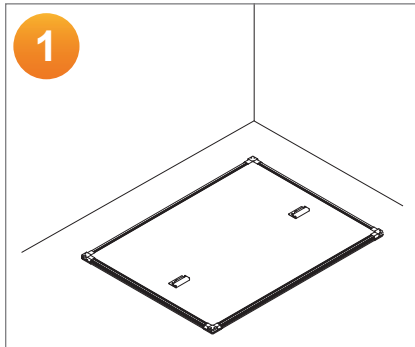
**Touchboards**

205 Westwood Ave, Long Branch, NJ 07740  
Phone: 866-94 BOARDS (26273) / (732)-222-1511  
Fax: (732)-222-7088 | E-mail: sales@touchboards.com

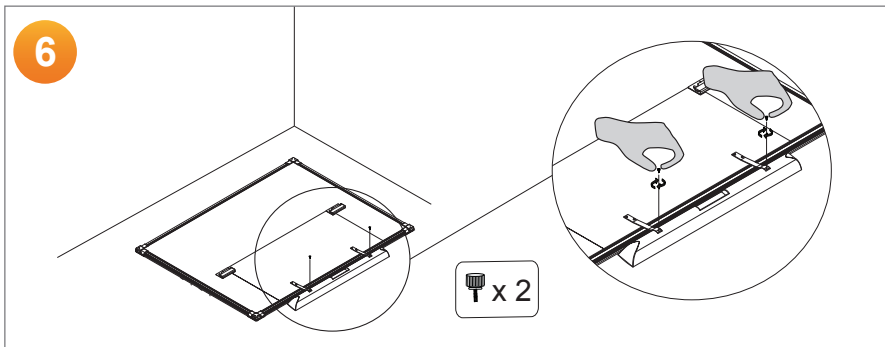
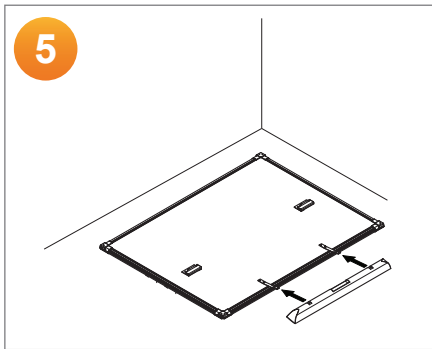
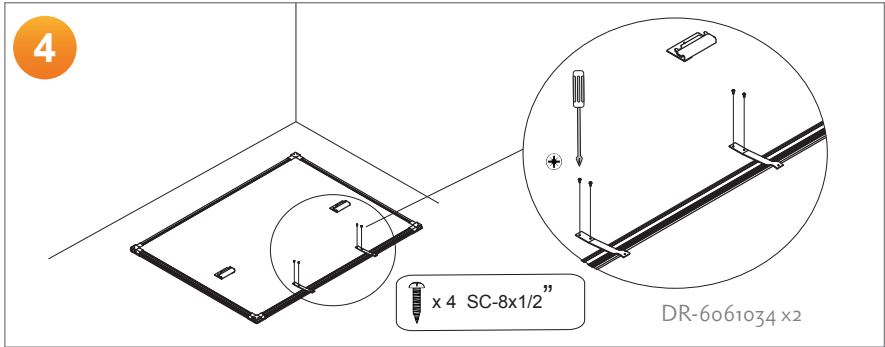




## Installation **C**

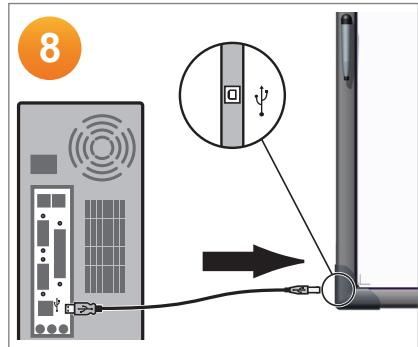
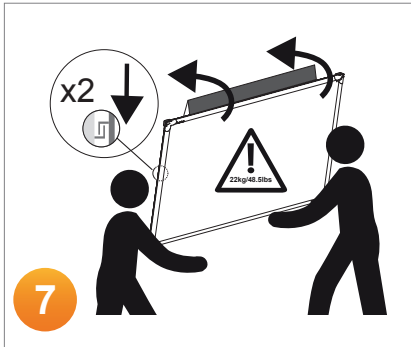








TP1865 ActivBoard Touch Installation and User Guide



## Setup



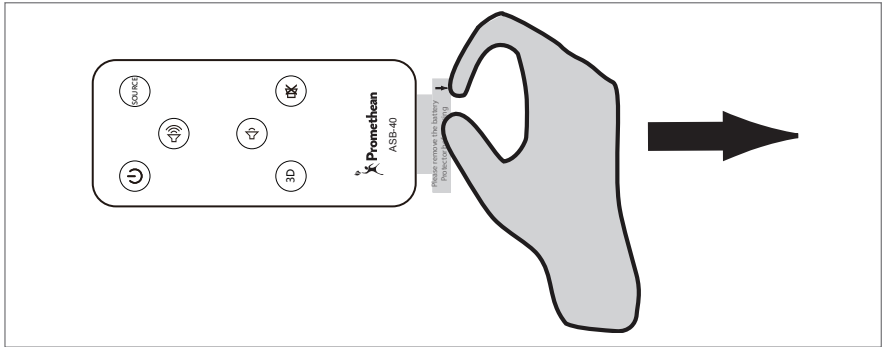
Please read the Safety Information at the start of this guide before you begin.



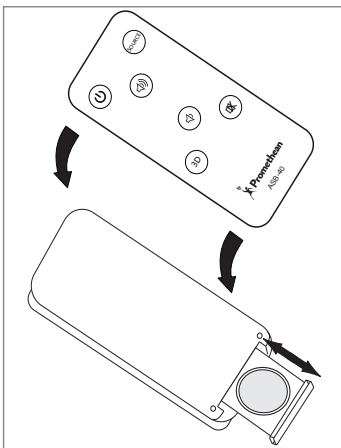
Also note:

- Inserting the battery incorrectly may result in cracking or leakage that may pose a fire risk or lead to personal injury.
- If the remote control is not used for a long time, remove the battery.
- Keep the remote control away from moisture, sunlight, and high temperatures.
- Dispose of the battery in accordance with local laws and regulations.

## Activating the Remote Control



## Replacing the Battery

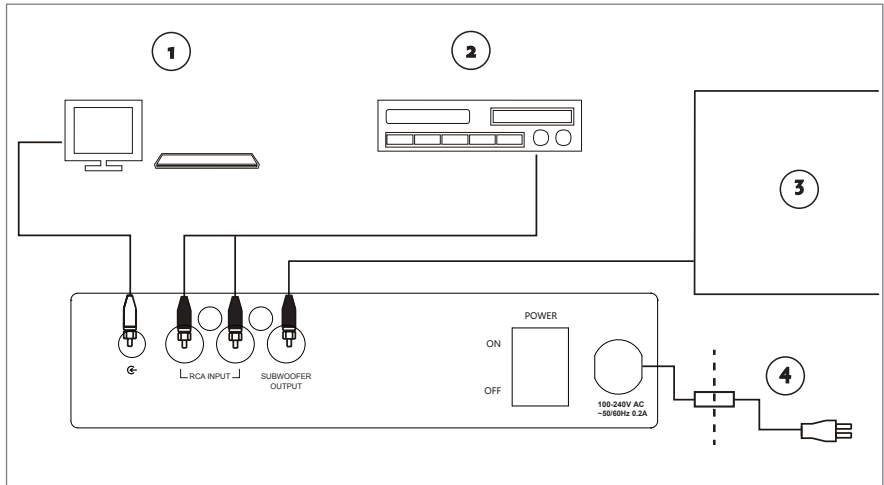


1. Open battery compartment and remove battery.
2. Insert one CR2025 lithium battery into the compartment.

Make sure that you match the (+) and (-) symbols on the battery with the (+) and (-) symbols inside the battery compartment.

3. Close the battery cover.

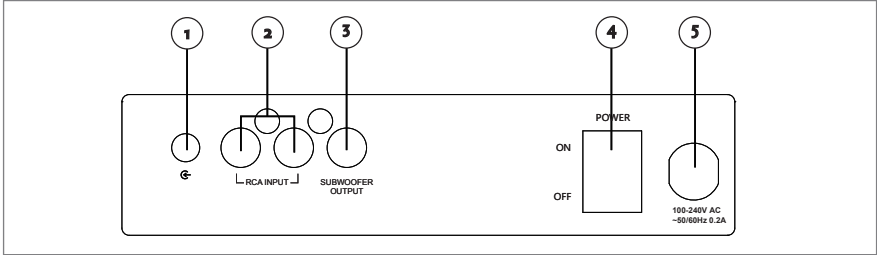
## Connections



- 1** iPhone/Tablet/Smartphone (cable not included)
- 2** TV/DVD/CD
- 3** Subwoofer (not included)
- 4** Power Cable

# Controls and Indicators

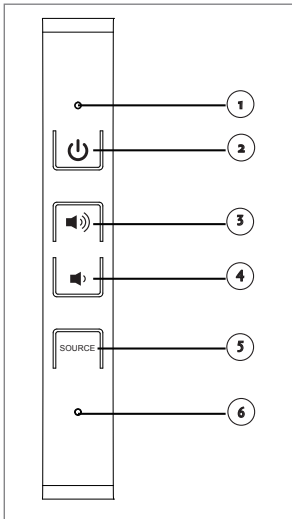
## Back Panel



- 1 Aux Input
- 2 RCA Input
- 3 Subwoofer Output




- 4 Power Switch
- 5 Power Connector

## Front Panel



- 1 LED
- 2 Standby/Power On
- 3 Increase Volume
- 4 Decrease Volume
- 5 Select Sound Source
- 6 3D Surround Indicator

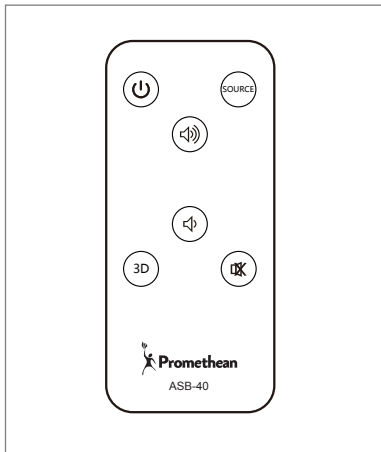
## Operation

- 2**  Short press to power on/off ActivSoundBar.
- 3**  Short press to increase volume.  
Long press to increase volume continuously.
- 4**  Short press to decrease volume.  
Long press to decrease volume continuously.
- 5** SOURCE Short press to switch audio source.





## Standby

If the ActivSoundBar does not detect an input for 15 minutes, the device will switch to standby status automatically. To take it out of standby, press the power button on the device or the remote control.

## Remote Control



## Operation

- 1**  Short press to power on/off ActivSoundBar.
- 2** SOURCE Short press to switch audio source.
- 3**  Short press to increase volume.  
Long press to increase volume continuously.
- 4**  Short press to decrease volume.  
Long press to decrease volume continuously.
- 5** 3D Short press to switch on/off 3D surround sound.
- 6**  Short press to mute/unmute the sound.

# Cleaning

Unplug the power cable from the socket before cleaning the ActivSoundBar.

## Cleaning the Bezel and Remote Control

Do not use volatile solvents (such as alcohol, rosin, and toluene) to clean the ActivSoundBar. These types of chemicals might damage the housing.

Use a 100% cotton cloth or micro-fiber cloth for cleaning.

If the remote control or bezel is dirty to the point where you cannot simply dry wipe it, please **lightly dampen** the cleaning fabric with clean water and wipe it.

Use only lightly dampened fabric to avoid malfunction and possible permanent damage to electronic components.

Finally, wipe the ActivSoundBar dry with a dry micro-fiber cloth or 100% cotton cloth.

# Troubleshooting

If your ActivSoundBar is not operating correctly, please check the following table before contacting Technical Support.

Problems	Solutions
No sound	<ul style="list-style-type: none"><li>• Try increasing the volume of the speaker.</li><li>• Check that the ActivSoundBar is not turned off.</li><li>• Check the ActivSoundBar volume level.</li><li>• Make sure the correct input is selected.</li><li>• Make sure the correct cables are properly connected.</li></ul>

Problems	Solutions
Remote Control does not work	<ul style="list-style-type: none"> <li>• Make sure the battery is correctly inserted.</li> <li>• Take the battery out, press the buttons once or twice, then reinsert the battery and try again.</li> <li>• If reinserting the battery has no effect, please replace the battery.</li> </ul>
No power	<ul style="list-style-type: none"> <li>• Make sure the AC power cord is securely connected to the power connector.</li> <li>• Try another electrical device on the power outlet to ensure that there is an electrical current.</li> </ul>
Speaker emits buzzing or humming sound	<ul style="list-style-type: none"> <li>• Make sure both ends of the audio cable are properly connected.</li> <li>• Test the sound bar with another audio cable.</li> <li>• Test the sound bar with another audio device.</li> </ul>



## More Information

### Technical Support

For online support, self-help solutions and further support contact information, please visit the Promethean Knowledgebase at:

[www.PrometheanKB.com](http://www.PrometheanKB.com)

### Promethean Planet

Promethean Planet is the fastest growing online community for interactive whiteboard users.

- Download over 80,000 FREE lesson resources.
- Download the latest ActivInspire software.
- View ActivTips, Teacher Features and access training materials.
- Connect with over 1.6 million teachers worldwide and share your ideas and advice.
- Find out about the latest research into teaching and learning from educational experts around the world.
- Access hundreds of publisher created resources in the Planet Store from publishers such as National Geographic, Dorling Kindersley and Scholastic.
- Join now for FREE! [www.PrometheanPlanet.com](http://www.PrometheanPlanet.com)

## United States of America

**NOTE:** This equipment has been tested and found to comply with the limits for a Class B digital device, pursuant to Part 15 of the FCC Rules. These limits are designed to provide reasonable protection against harmful interference in a residential installation.

This equipment generates, uses and can radiate radio frequency energy and, if not installed and used in accordance with the instructions, may cause harmful interference to radio communications. However, there is no guarantee that interference will not occur in a particular installation. If this equipment does cause harmful interference to radio or television reception, which can be determined by turning the equipment off and on, the user is encouraged to try to correct the interference by one or more of the following measures:

- Reorient or relocate the receiving antenna.
- Increase the separation between the equipment and receiver.
- Connect the equipment into an output on a circuit different from that to which the receiver is connected.
- Consult the dealer or an experienced radio/TV technician for help.

Changes and Modifications not expressly approved by Promethean can void your authority to operate this equipment under Federal Communications Commissions rules.

## Canada

This Class B digital apparatus complies with Canadian ICES-003.  
Cet appareil numérique de la classe B est conforme à la norme NMB-003 du Canada.

## EU

Products with the CE marking comply with both the EMC Directive (2004/108/EC) and the Low Voltage Directive (2006/95 EC) issued by the Commission of the European Community.

Please contact Promethean for a full copy of the EU Declaration of Conformity.

## Compliance Statements

### Waste Electrical and Electronic Equipment (WEEE)

Correct Disposal of this product. This marking indicates that this product should not be disposed with other household wastes throughout the EU. To prevent possible harm to the environment or human health from uncontrolled waste disposal, recycle it responsibly to promote the sustainable reuse of material resources.



To return your used device, please use the return and collection systems or contact the retailer where the product was purchased. They can take this product for environmental safe recycling.

For more information concerning the correct disposal of these products, please contact your Promethean reseller.

# Touchboards

**205 Westwood Ave, Long Branch, NJ 07740**

**Phone: 866-94 BOARDS (26273) / (732)-222-1511**

**Fax: (732)-222-7088 | E-mail: [sales@touchboards.com](mailto:sales@touchboards.com)**

# ActivSoundBar