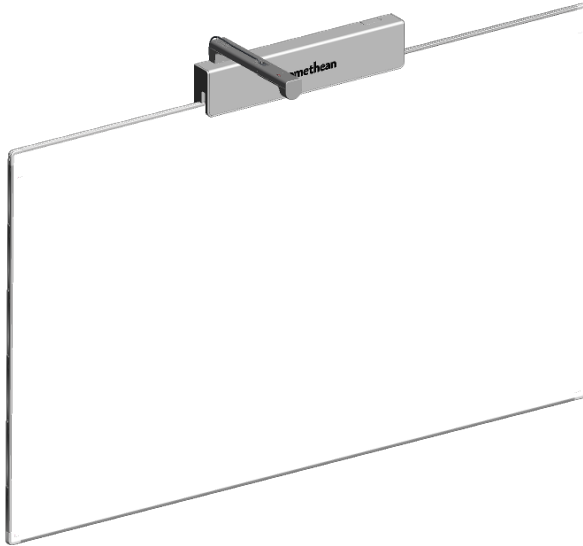


Install & User Guide

ActivWall™

W I D E S C R E E N



Touchboards

205 Westwood Ave, Long Branch, NJ 07740

Phone: 866-94 BOARDS (26273) / (732)-222-1511

Fax: (732)-222-7088 | E-mail: sales@touchboards.com



TP-1979-V03

Copyright Information

TP-1979-V03 © 2016 Promethean Limited. All rights reserved.

All software, resources, drivers and documentation supplied in the Promethean ActivInspire download are copyright Promethean Ltd 2016. Promethean grants a license to install and use Promethean ActivInspire software, including any resources, drivers and documentation supplied in the download. Refer to the licence agreement for information about the terms and conditions of this licence.

Promethean is owner of a number of trademarks in several jurisdictions across the world. The Promethean products documented in this guide include aspects which are protected under their respective patent, copyright, design copyright, registered design and trademark laws.

HDMI, the HDMI logo and High-Definition Multimedia Interface are trademarks or registered trademarks of HDMI Licensing LLC. VESA is a registered mark of Video Electronics Standards Association.

Apple is a trademark or registered trademark of Apple, Inc. in the U.S. and other countries. Windows is a trademark or registered trademark of Microsoft Corporation in the U.S. and other countries. Linux is a registered trademark of Linus Torvalds in the U.S. and other countries.

All other trademarks remain the property of their respective owners.

This guide is distributed online. It may only be reproduced for use within the institution in which the product is used. For use outside of your institution, no part of this guide may be reproduced, transmitted, stored in a retrieval system or translated into any other language without the prior permission of Promethean Limited.

Please note that the content in this guide is protected under copyright law. Although every care has been taken in the compilation of this guide, Promethean Limited accepts no responsibility for errors or omissions, or for damages resulting from the use of information contained within the following pages.

Contents

Safety Information	4
Box Contents	5
Label Location	7
Installation	7
LGA Adjustment	15
Projector Alignment	21
Setup and Calibration	22
Compliance Statements	27
More Information	28

CAUTION - This product utilises a laser.

CAUTION - Use of control or adjustments or performance of procedures other than those specified herein may result in hazardous radiation exposure!

Do not open covers and do not repair yourself. Refer servicing to an authorised Promethean service agent. This product **MUST** be mounted to a building structure before use.

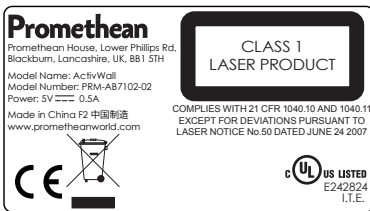
The installation work should be performed by a qualified installer. Attempting to install the product without the relevant experience is done so at your own risk. Incorrect or incomplete installation could result in personal injury, property damage or product failure. The System must be installed using all of the fixing brackets in the correct position, and with fasteners and fixings appropriate to the wall type.

The device is not field serviceable, nor is it intended to be serviced by dealers and/or distributors.

Complies with 21 CFR 1040.10 and 1040.11 except for deviations pursuant to laser Notice No. 50 dated June 24, 2007.

The Laser is an Infrared Pulsed Diode Laser operating at:

Emitted wavelength.	905nm
Beam divergence	40 x 10 degrees (FWHM)
Pulse durations.	Maximum 130us
Repetition rate	Maximum 83Hz
Maximum output or energy output.	Peak output 3.4W

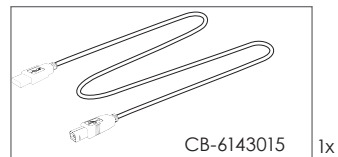
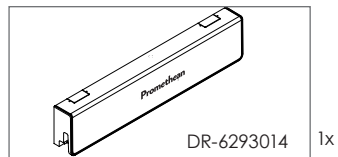
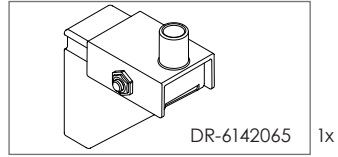
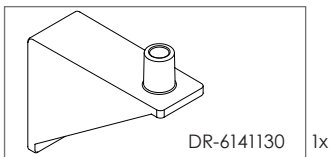
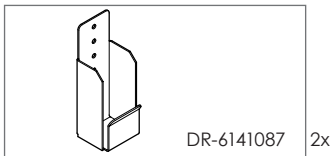
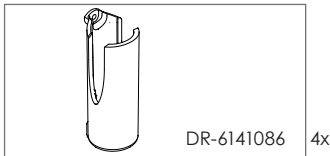
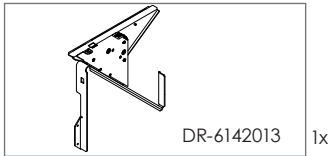
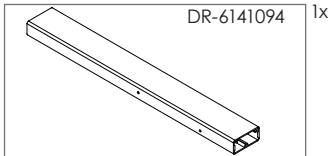
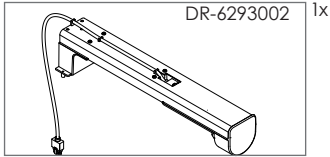
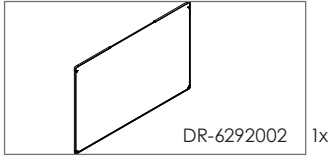


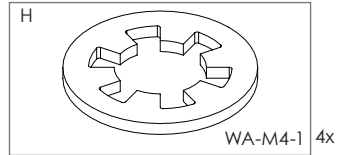
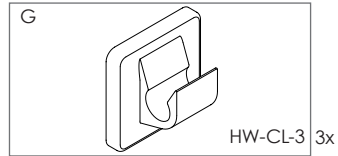
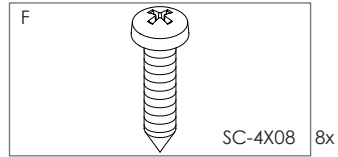
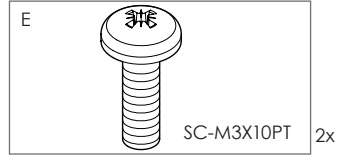
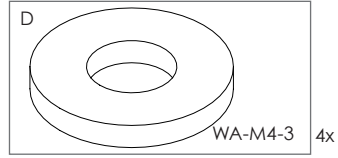
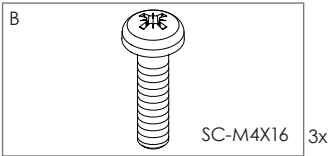
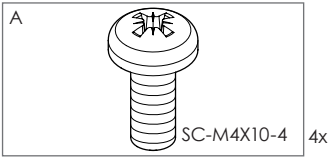
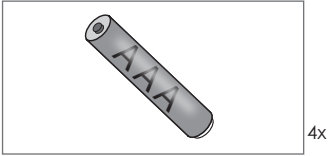
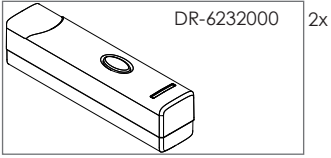
Environmental Considerations

Temperature:		Humidity:	
Operating	0°C to 40°C	Operating	20% to 80%
Storage	-20°C to 60°C	Storage	10% to 90%

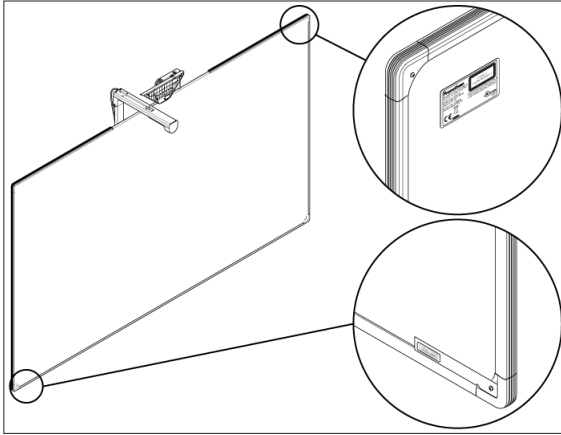
For further information and support about the installation and safe use of this product, please contact your local Promethean reseller or visit Promethean Support at www.prometheanworld.com or support@prometheanworld.com

Box Contents



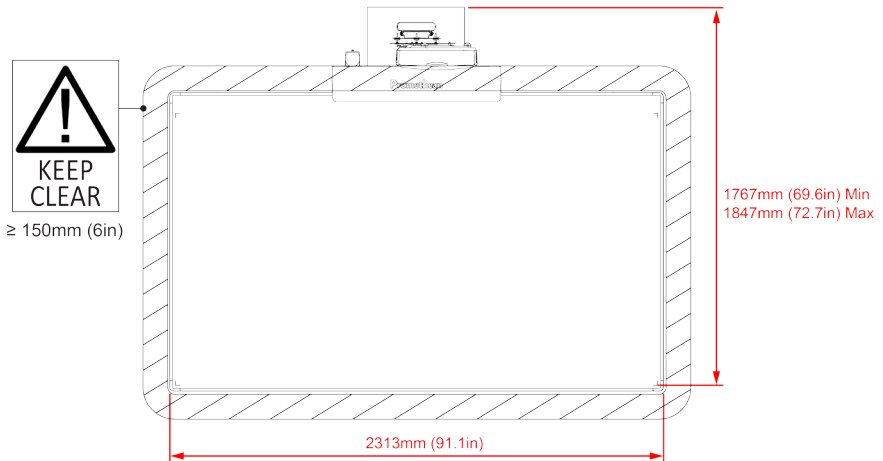


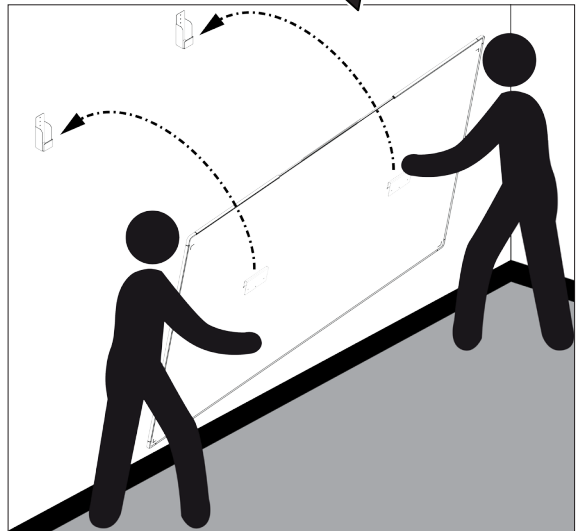
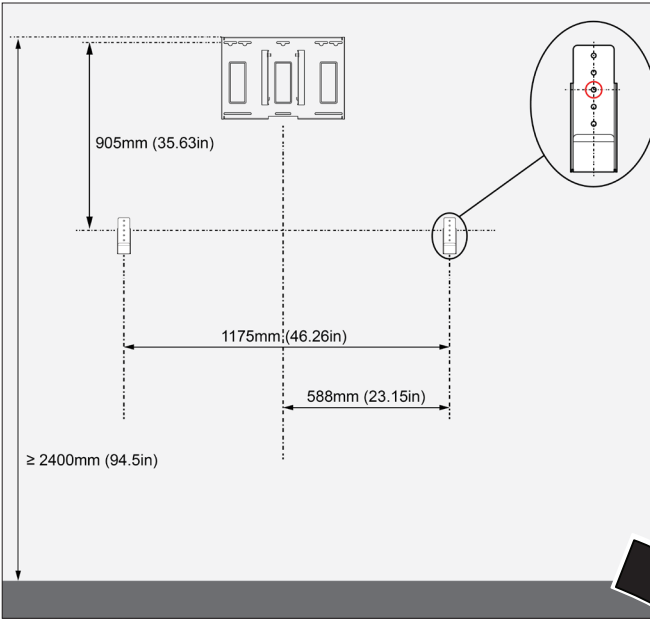
Label Location



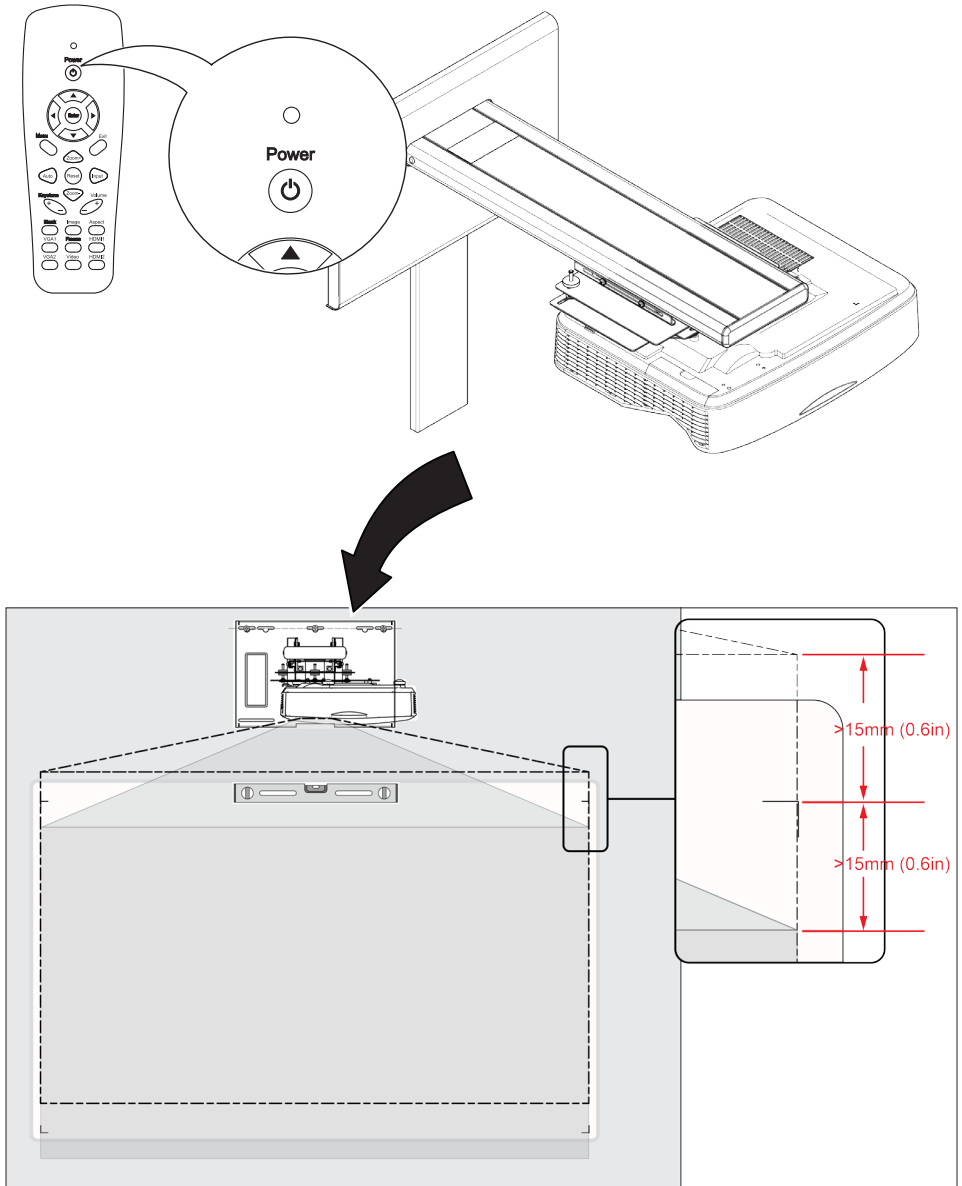
Installation

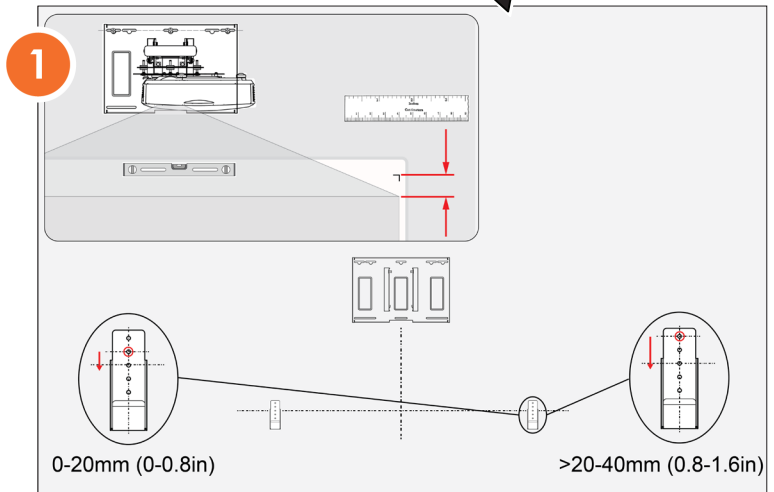
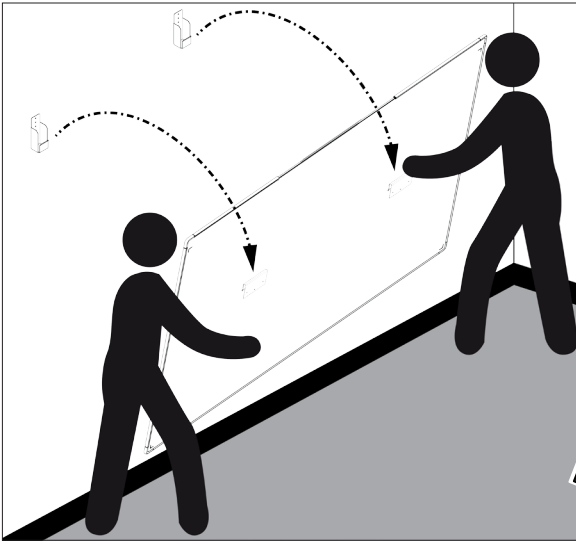
Note: Install applicable mount system and projector before beginning the board installation. See relevant instructions.

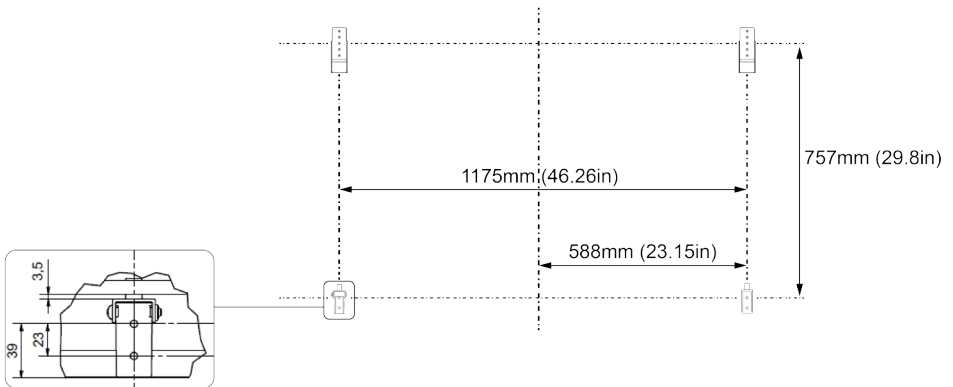
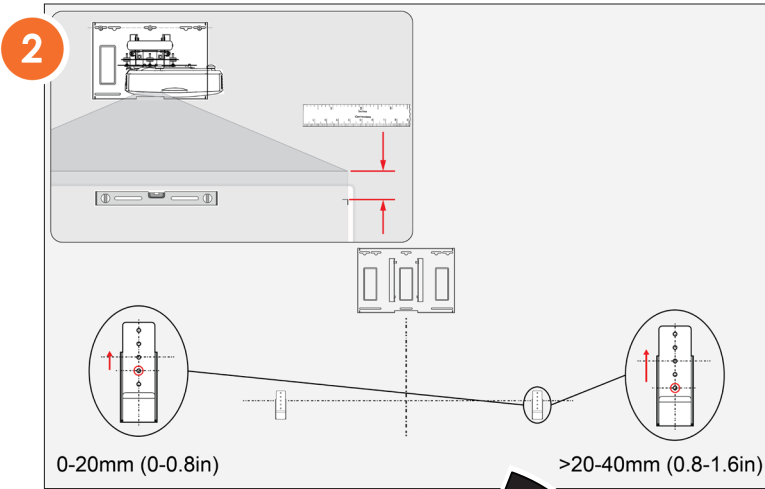




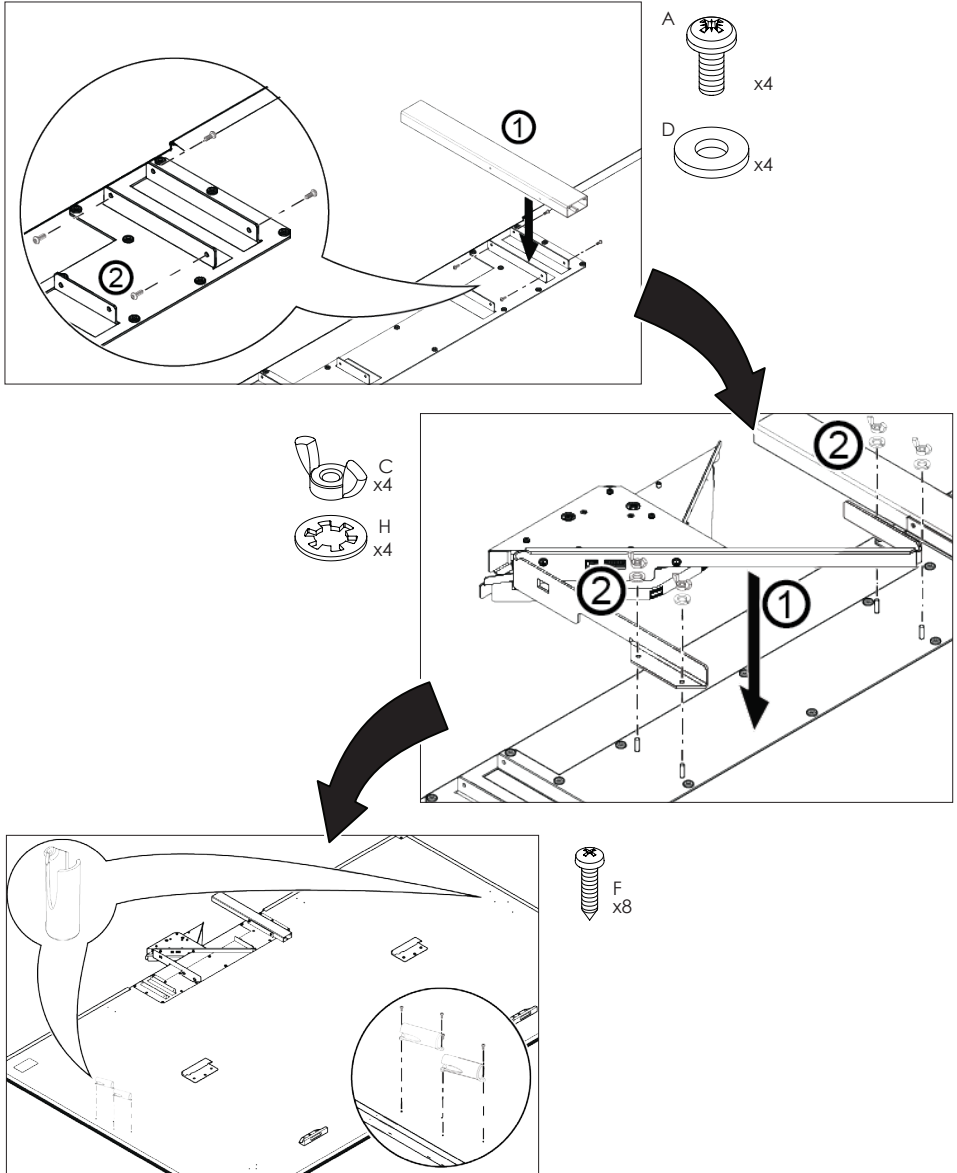
Installation





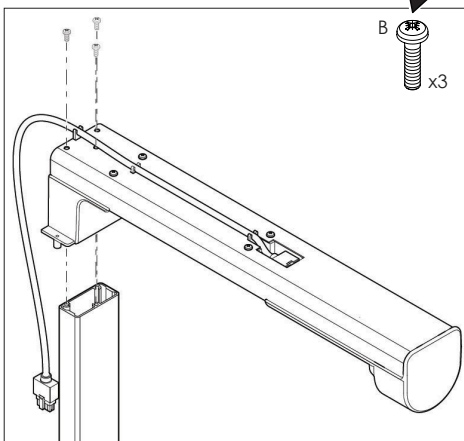
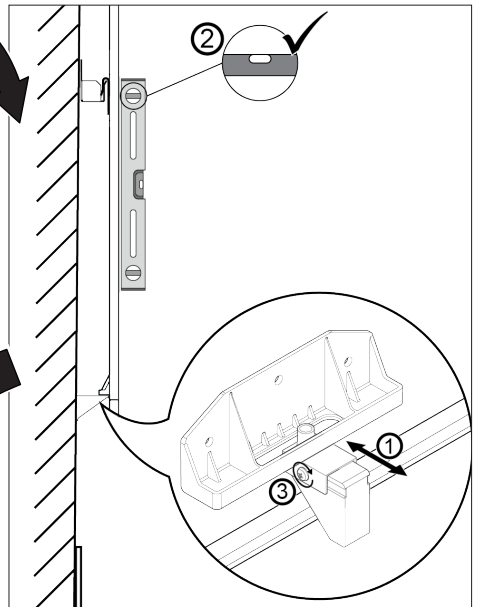
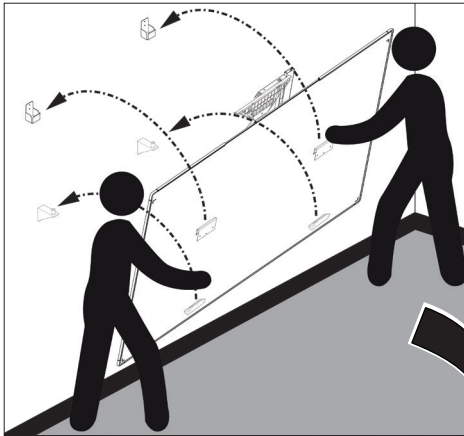


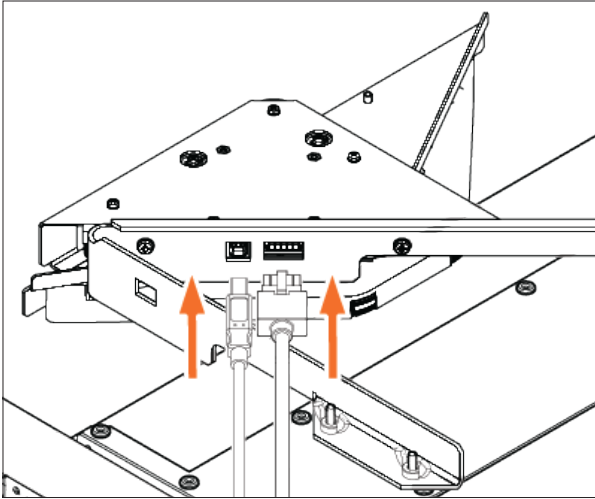
Note: Refer to applicable mount system for fine adjustment of projector image. See relevant instructions.



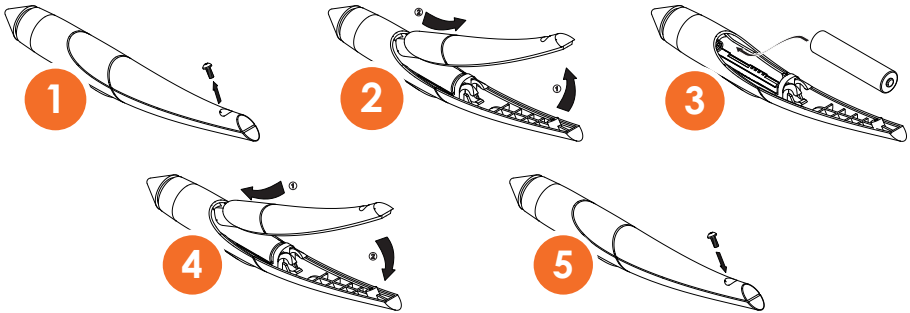
Note: Attach sound system at this point, if applicable. See relevant instructions.

Installation

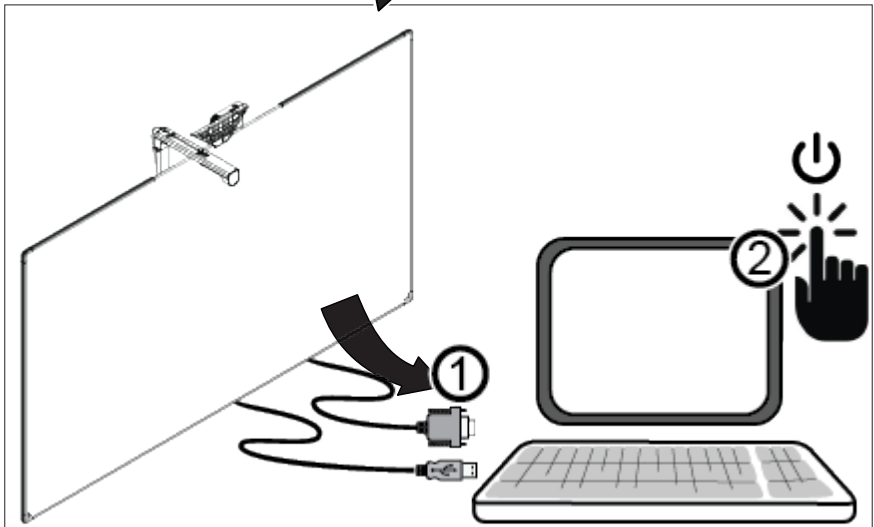
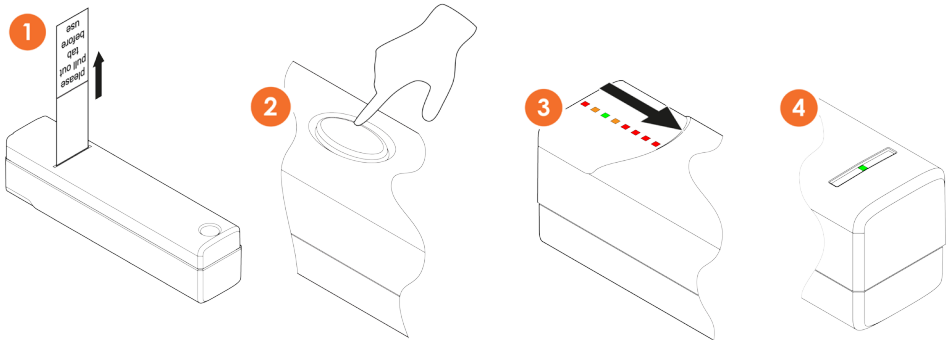


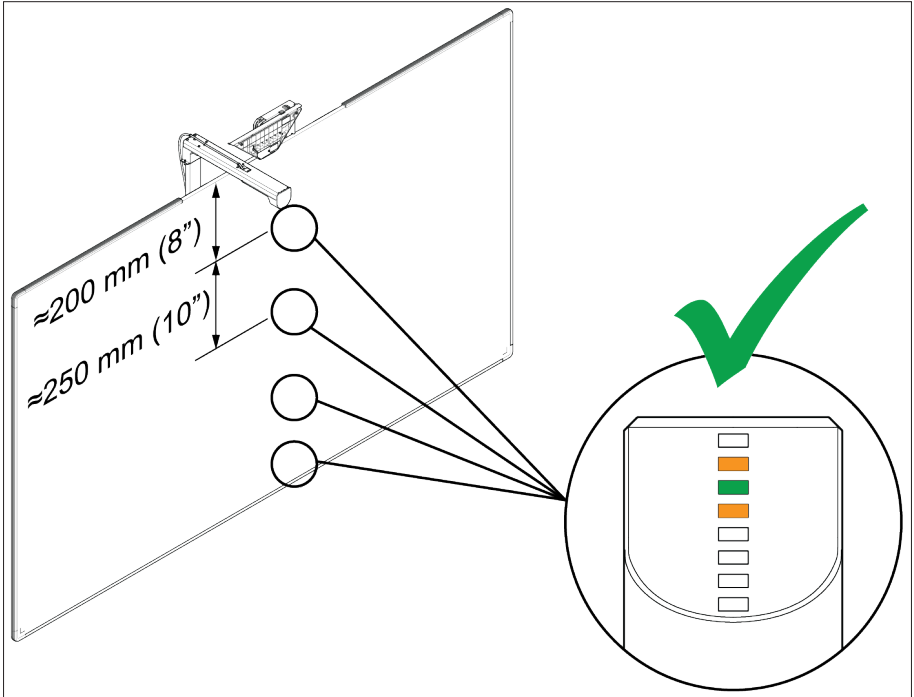


Installing the Pen Battery

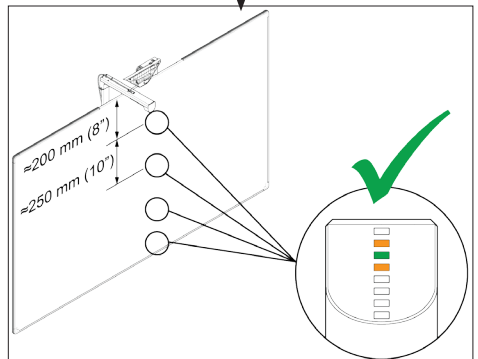
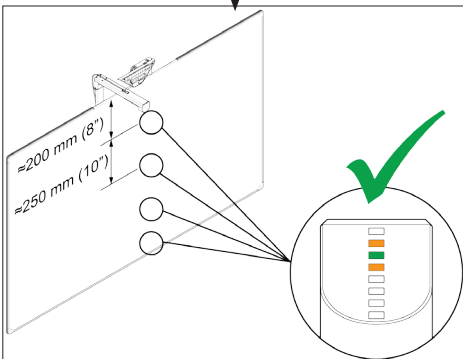
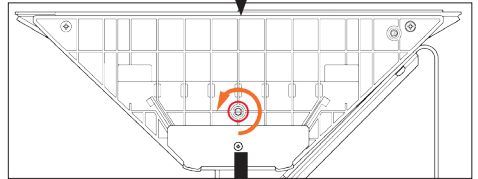
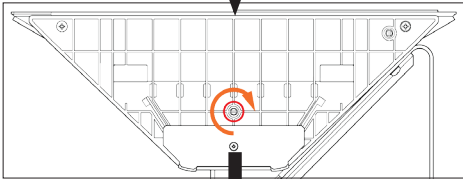
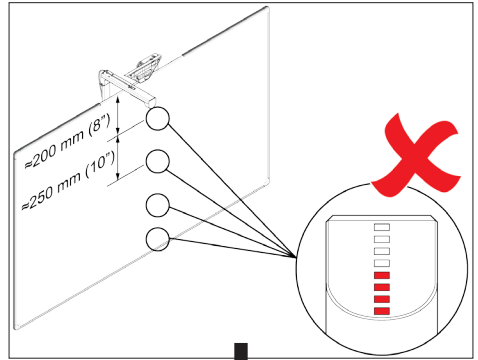
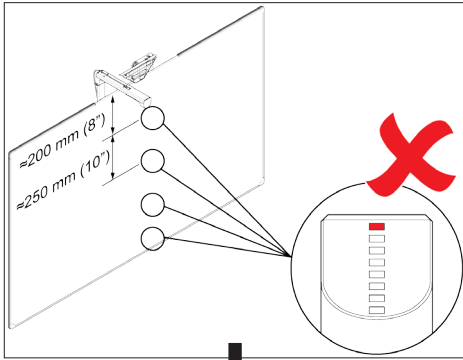


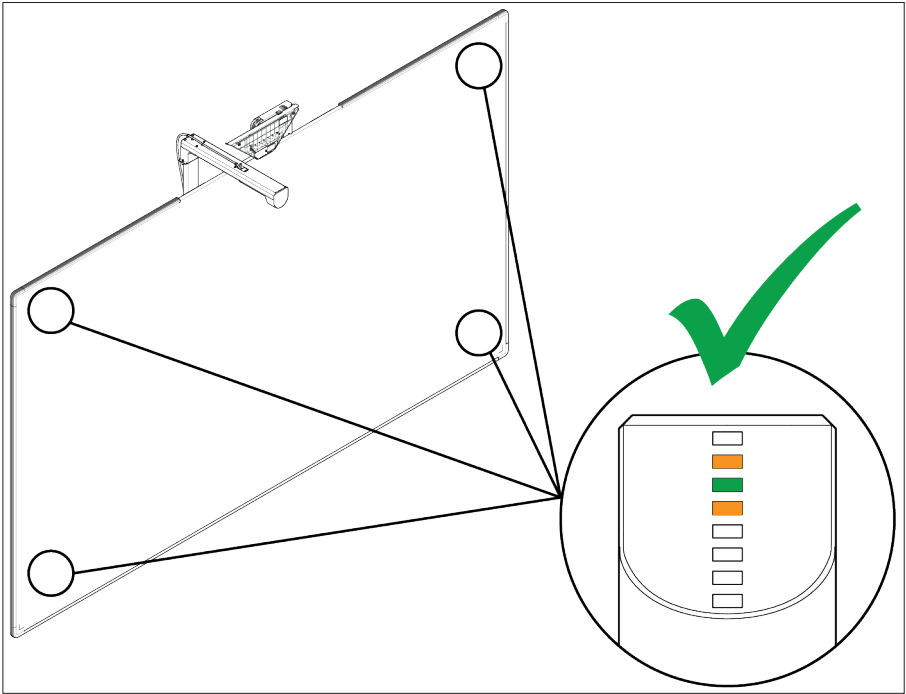
Activating the LGA Alignment Tool



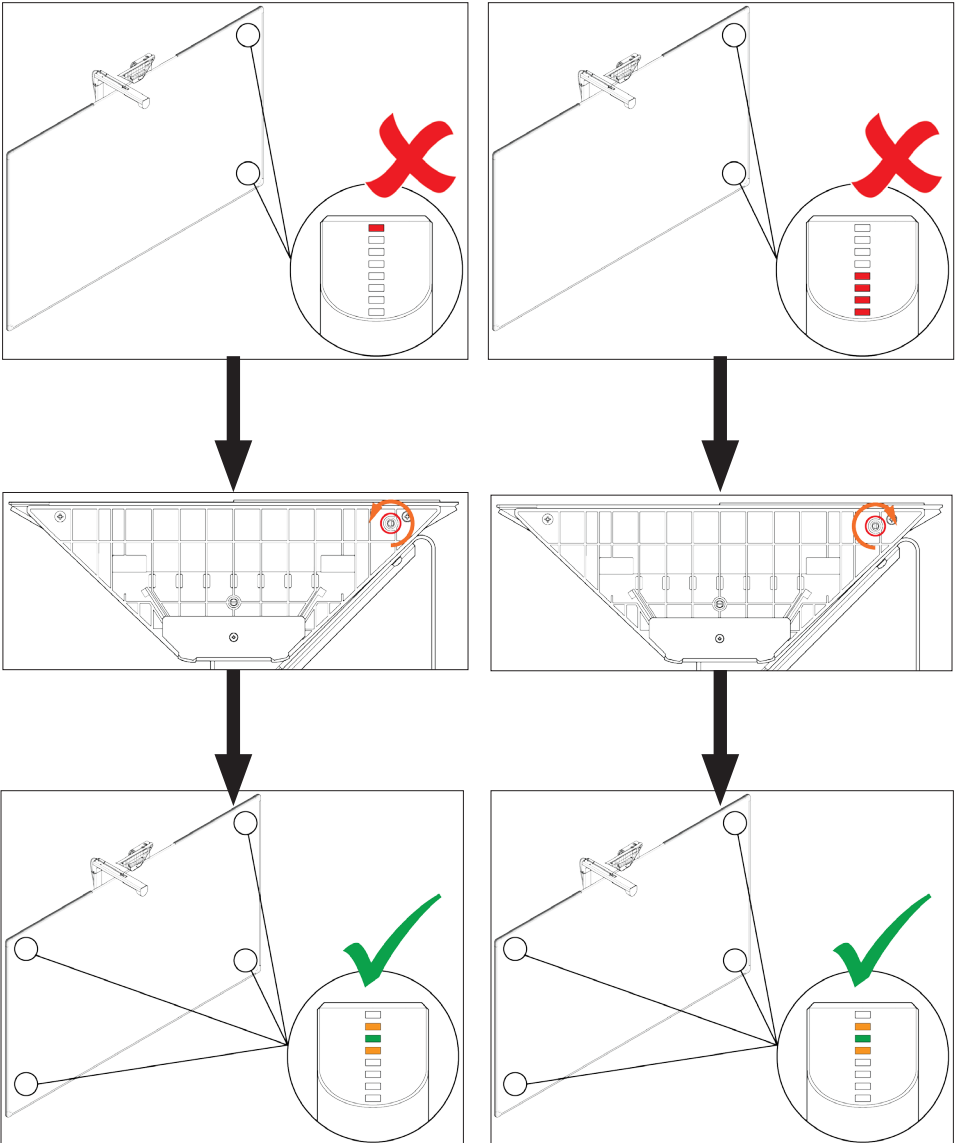


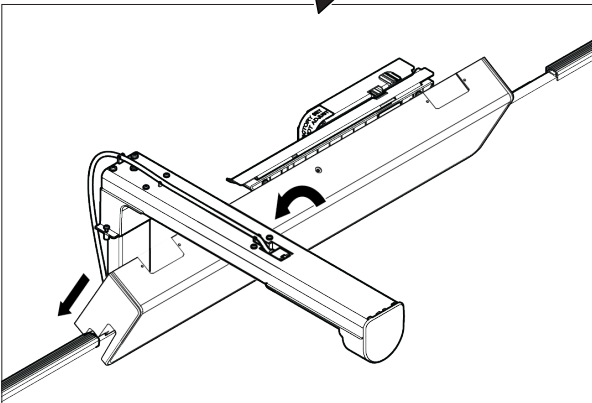
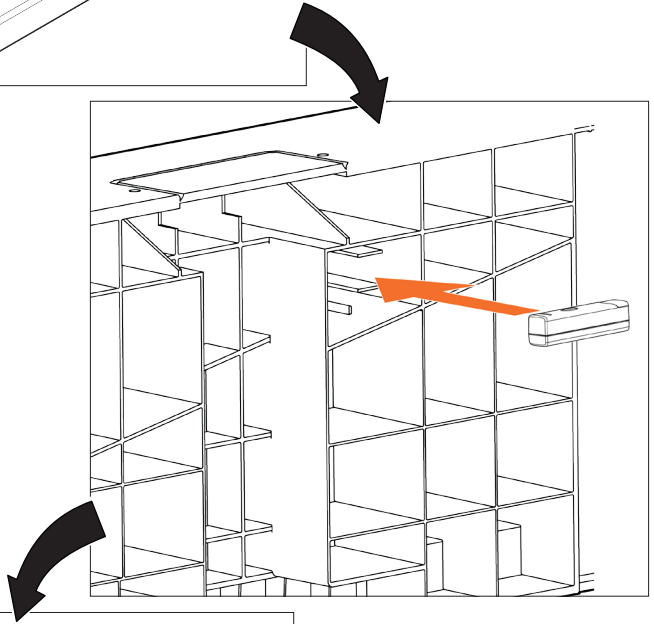
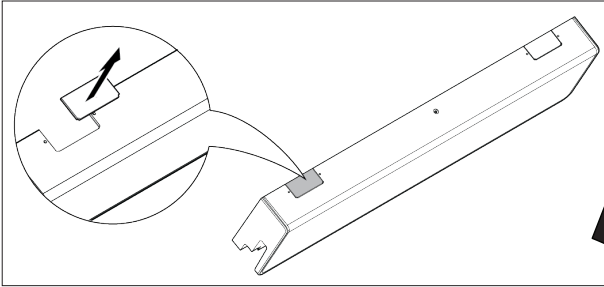
205 Westwood Ave, Long Branch, NJ 07740
Phone: 866-94 BOARDS (26273) / (732)-222-1511
Fax: (732)-222-7088 | E-mail: sales@touchboards.com



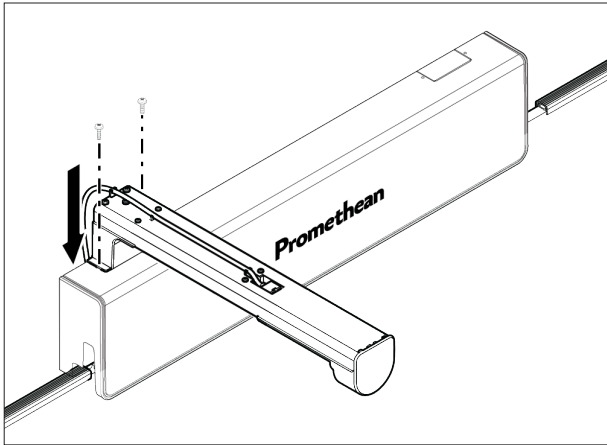


LGA Adjustment

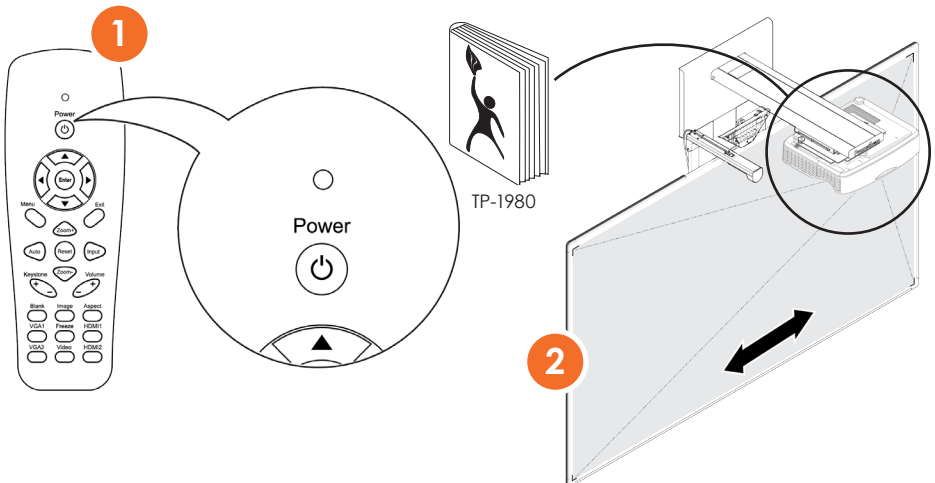




LGA Adjustment



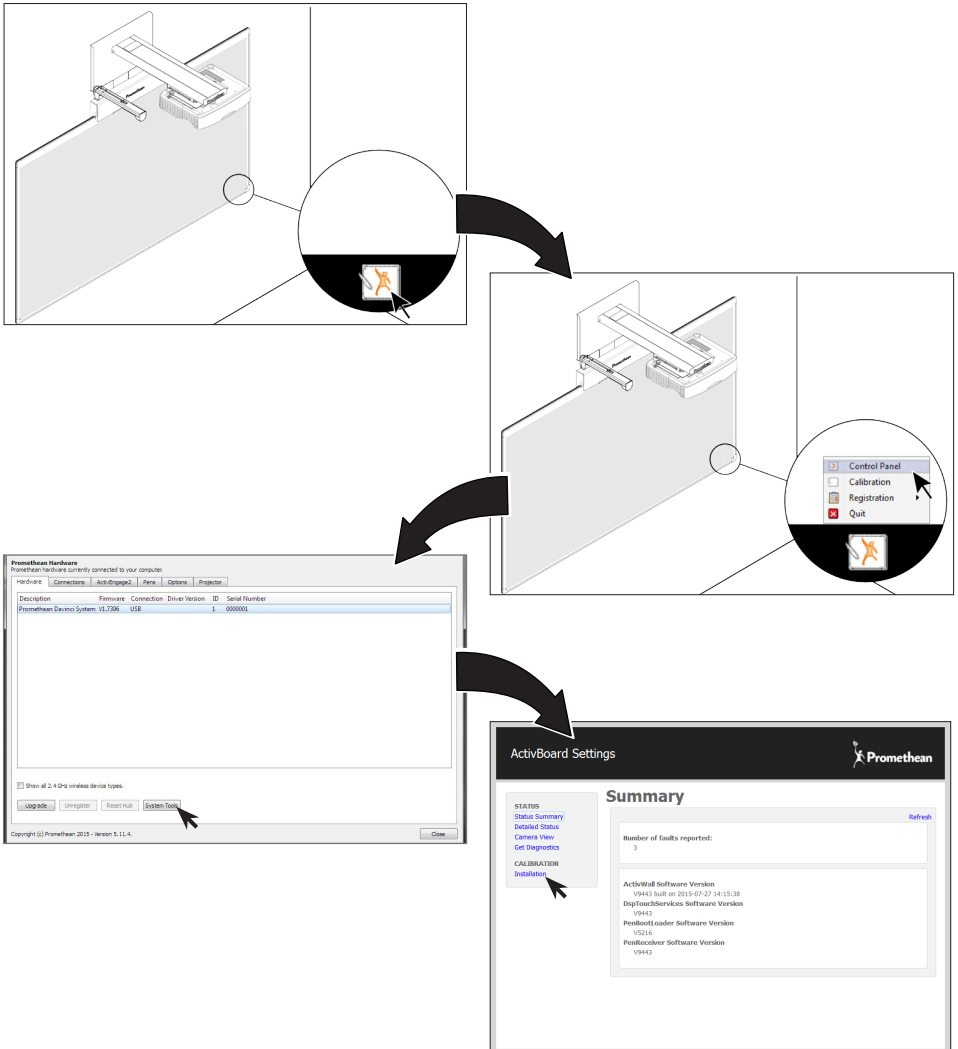
Projector Alignment



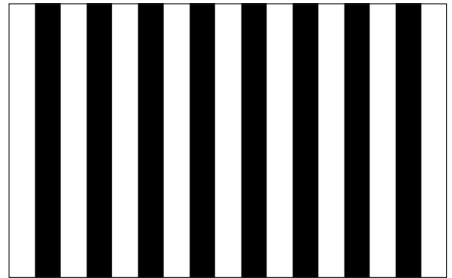
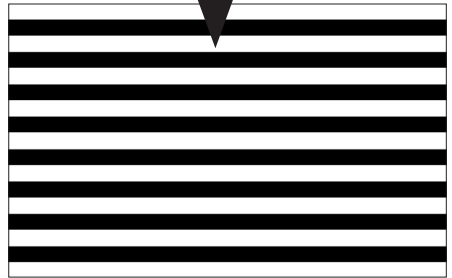
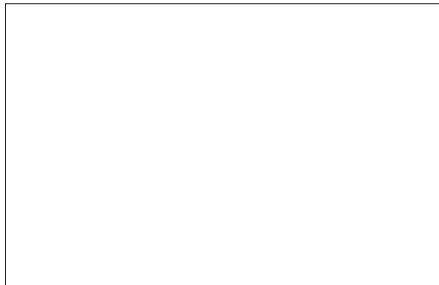
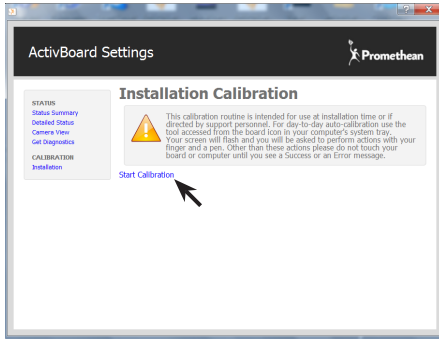
Calibration

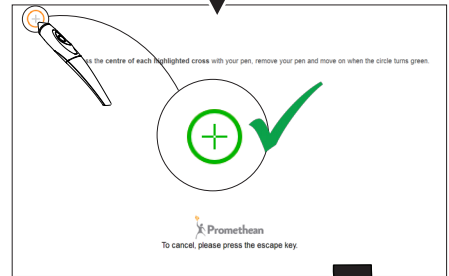
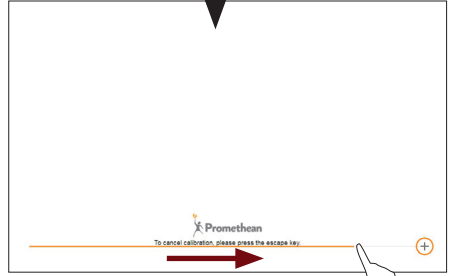
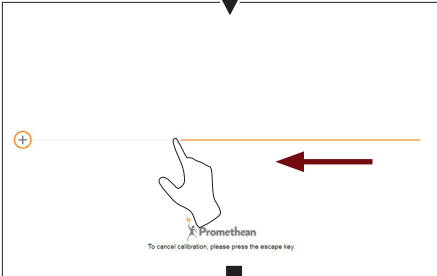
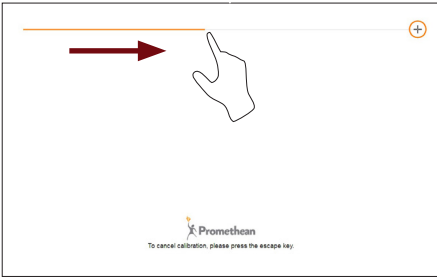
Before You Start

Install the latest ActivDriver from www.prometheanplanet.com.

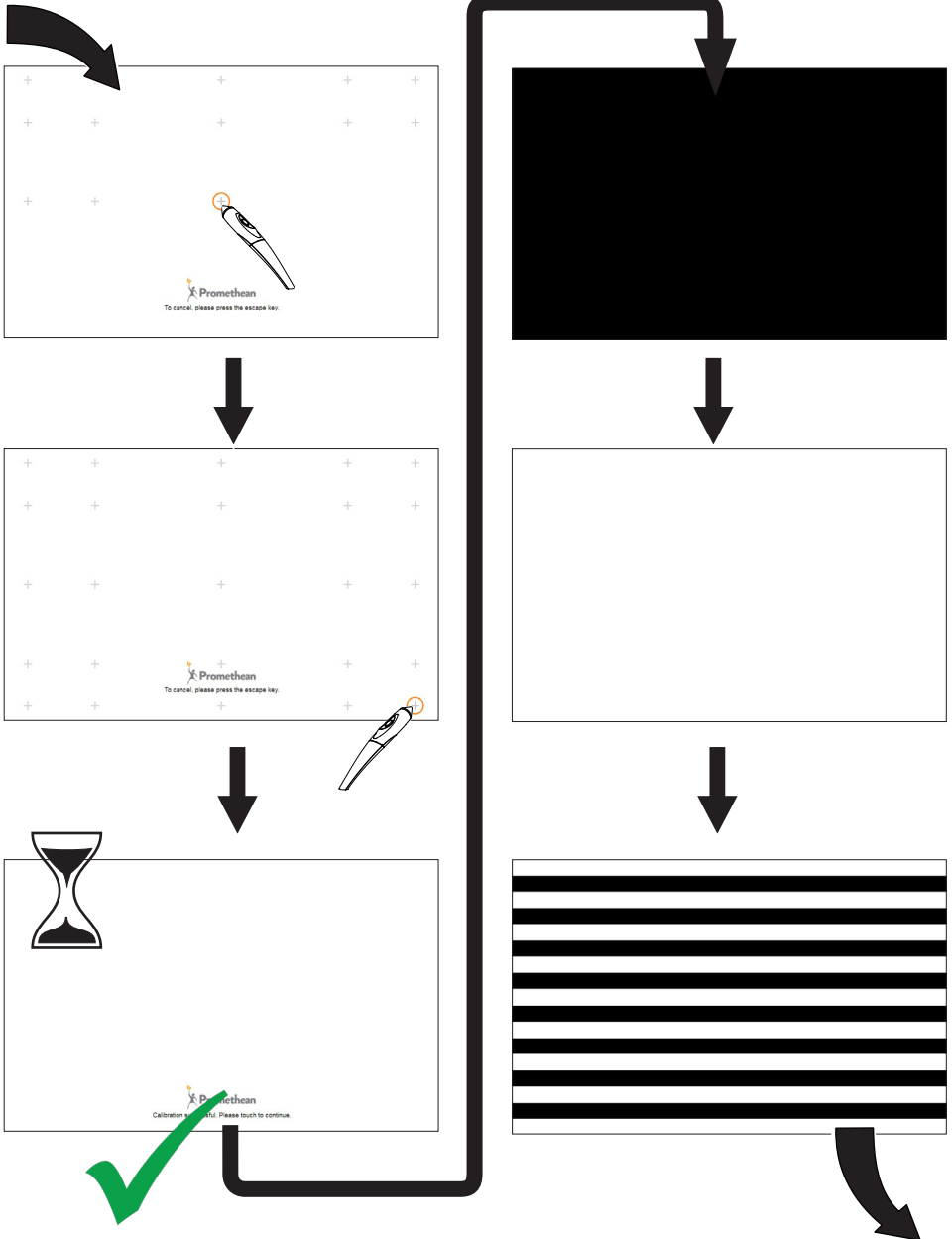


Set Up & Calibration

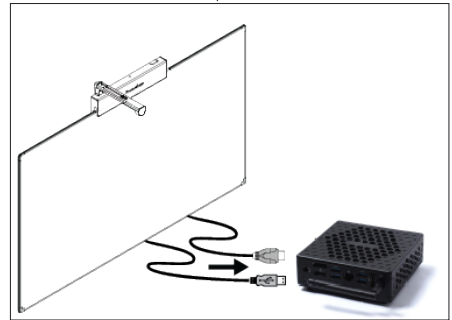
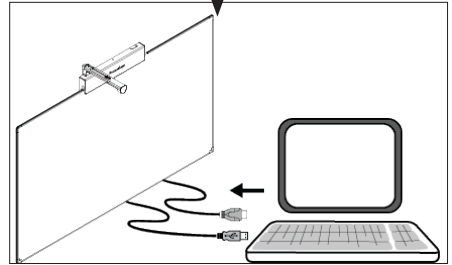
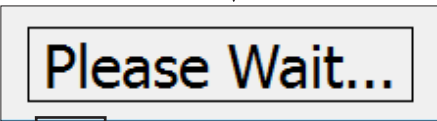
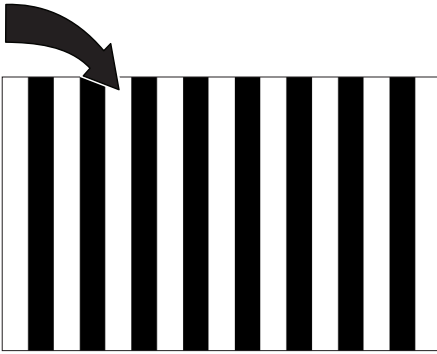




Set Up Calibration



Set Up & Calibration

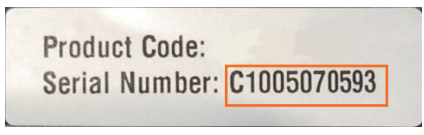


Model No: PRM-AB7102 -02

Product complies with IEC 60825-1 ed.2 (2007)

Serial number structure:

PLANT CODE	YEAR	MONTH	DAY	SERIAL NO
C	10	05	07	0593



The image shows a close-up of a product label. It contains the text 'Product Code:' followed by 'Serial Number: C1005070593'. The serial number 'C1005070593' is enclosed in a red rectangular box.

United States of America

NOTE: This equipment has been tested and found to comply with the limits for a Class A digital device, pursuant to part 15 of the FCC Rules.

These limits are designed to provide reasonable protection against harmful interference when the equipment is operated in a commercial environment.

This equipment generates, uses, and can radiate radio frequency energy and, if not installed and used in accordance with the instruction manual, may cause harmful interference to radio communications.

Operation of this equipment in a residential area is likely to cause harmful interference in which case the user will be required to correct the interference at his own expense.

Do not make any changes or modifications to the equipment.

Canada

This Class A digital apparatus complies with Canadian ICES-003.

Cet appareil numérique de la classe A est conforme à la norme NMB-003 du Canada.

EU

UK: Promethean hereby declare that the equipment is in compliance with the Low Voltage Directive and the Electromagnetic Compatibility Directive.

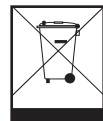
The equipment meets the following conformance standards: EN 55022, EN 55024 and EN 60950-1.

Please contact Promethean for a copy of the Declaration of Conformity if required.

WARNING: This is a Class A product. In a domestic environment this product may cause radio interference in which case the user may be required to take adequate measures.

Waste Electrical and Electronic Equipment (WEEE)

For more information concerning the correct disposal of these products, please contact your Promethean reseller.



Technical Support

For an equipment connectivity diagram, online support, self-help solutions and further support visit Promethean Support at: www.prometheankb.com or support.prometheanworld.com

Promethean Planet

Promethean Planet is the fastest growing online community for interactive whiteboard users.

- Download FREE lesson resources.
- Download the latest ActivInspire software.
- View ActivTips, Teacher Features and access training materials.
- Connect with teachers worldwide and share your ideas and advice.
- Find out about the latest research into teaching and learning from educational experts around the world.
- Access hundreds of publisher created resources in the Planet Store from publishers such as National Geographic, Dorling Kindersley and Scholastic.
- Join now for FREE! www.PrometheanPlanet.com



205 Westwood Ave, Long Branch, NJ 07740
Phone: 866-94 BOARDS (26273) / (732)-222-1511
Fax: (732)-222-7088 | E-mail: sales@touchboards.com