

Promethean

Promethean OPS

Install Guide



205 Westwood Ave, Long Branch, NJ 07740
Phone: 866-94 BOARDS (26273) / (732)-222-1511
Fax: (732)-222-7088 | E-mail: sales@touchboards.com

TP-2014-IG-V02



TP-2014-IG-V02 © 2016 Promethean Limited. All rights reserved.

All software, resources, drivers and documentation supplied in the Promethean ActivInspire download are copyright Promethean Ltd 2016. Promethean grants a license to install and use Promethean ActivInspire software, including any resources, drivers and documentation supplied in the download. Refer to the licence agreement for information about the terms and conditions of this licence.

Promethean is owner of a number of trademarks in several jurisdictions across the world. The Promethean products documented in this guide include aspects which are protected under their respective patent, copyright, design copyright, registered design and trademark laws. HDMI, the HDMI logo and High-Definition Multimedia Interface are trademarks or registered trademarks of HDMI Licensing LLC. VESA is a registered mark of Video Electronics Standards Association.

Windows is a registered trademark or trademark of Microsoft Corporation in the United States and other countries.

All other trademarks remain the property of their respective owners.

This guide is distributed online. It may only be reproduced for use within the institution in which the product is used. For use outside of your institution, no part of this guide may be reproduced, transmitted, stored in a retrieval system or translated into any other language without the prior permission of Promethean Limited.

Please note that the content in this guide is protected under copyright law. Although every care has been taken in the compilation of this guide, Promethean Limited accepts no responsibility for errors or omissions, or for damages resulting from the use of information contained within the following pages.

Table of Contents

| | |
|--------------------|----|
| Safety Information | 4 |
| Box Contents | 5 |
| Connections | 6 |
| Installation | 7 |
| Operation | 8 |
| Compliance | 13 |
| More Information | 16 |

Safety Information

Your Promethean OPS is designed and tested to meet the latest standards of safety for information technology equipment. However, to ensure your safety, it is important that you read and understand all safety information, operating instructions, and product labels before operating the ActivPanel. Keep this guide in a safe place for future reference.



- The lightning flash with arrow-head symbol, within an equilateral triangle, is intended to alert the user to the presence of "dangerous voltage" within the product's enclosure that may be sufficient to constitute a risk of electric shock to persons.



- The exclamation mark within a triangle is intended to alert the user to the presence of important operating and maintenance (servicing) instructions.



- To reduce the risk of fire or electric shock, do not expose this product to smoke, rain, dust or moisture!



- To reduce the risk of electric shock, do not remove cover (or back). No user-serviceable parts inside. Refer servicing to qualified service personnel.

- This product is designed and manufactured to operate within defined design limits, and misuse may result in electric shock or fire.

- Use of components not supplied by Promethean or not meeting minimum specifications may impact performance and affect the warranty. For Promethean Warranty Terms and Conditions, please visit www.PrometheanWorld.com/ActivCare

- Inspect the Promethean OPS for any physical damage to the casing before use. If damage is apparent, take care to avoid contact with any potentially live parts.

- Do not under any circumstances try to gain access to internal parts of the Promethean OPS. If you suspect that the device is damaged or faulty, you should contact Technical Support, or an authorised Promethean service agent for advice.

- To avoid the risk of electric shock or component damage, disconnect the ActivPanel from the power supply before Removing the Promethean OPS.

- The ventilation holes in the housing are designed to protect the Promethean OPS against overheating. Be careful not to block them.

- Do not insert hands or any other objects into the ventilation holes or signal joints of the Promethean OPS.

- Never place, spill or pour any liquid on any part of the Promethean OPS. The device could short circuit causing a fire or electric shock.

If any of the following occurs, please contact Technical Support:

- Liquid sprays, or any object drops, into the Promethean OPS.

- The Promethean OPS is dropped or damaged in any way.

- The Promethean OPS emits abnormal sounds.

- The Promethean OPS emits smoke or odour.

- The performance of the Promethean OPS changes substantially.

Environmental Considerations

Temperature:

- Operating: 0°C to +40°C

- Storage: -20°C to +60°

Relative Humidity (non condensing):

- Operating: 10% to 90%

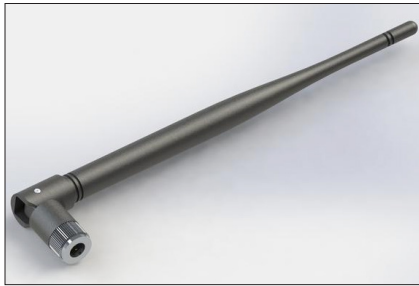
- Storage: 10% to 90%

Weight

- Net Weight: 1.0kg



x1

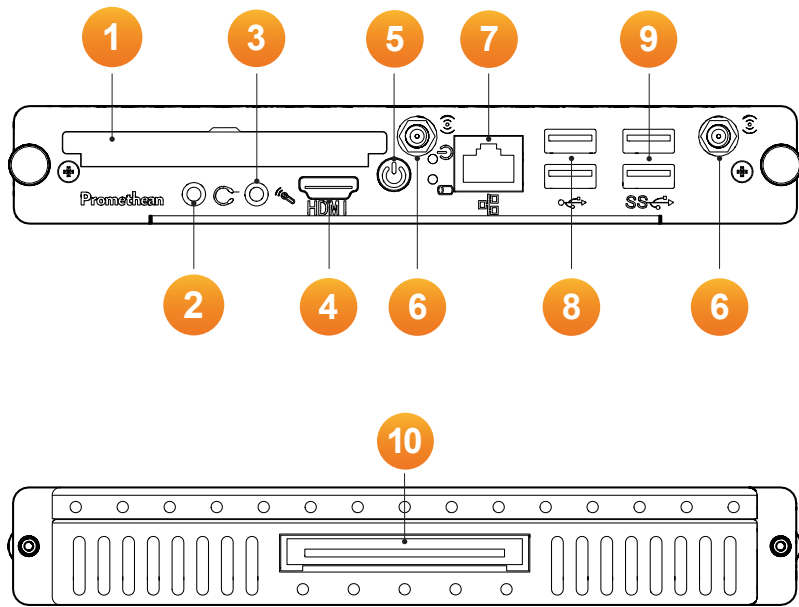


x2

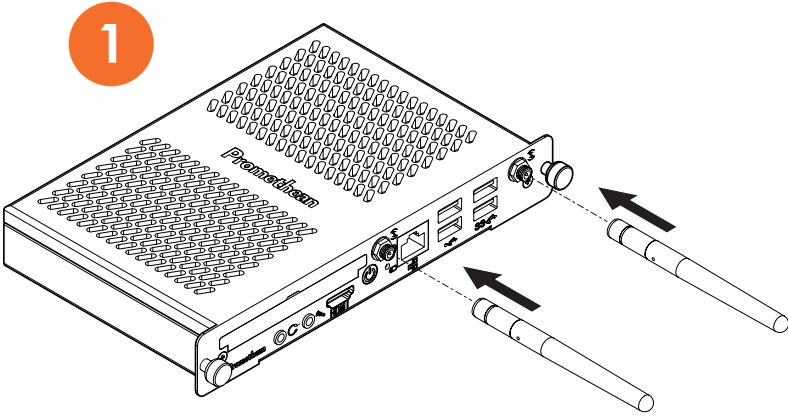


x1

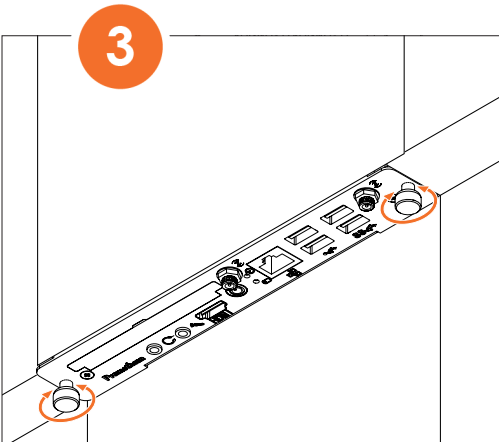
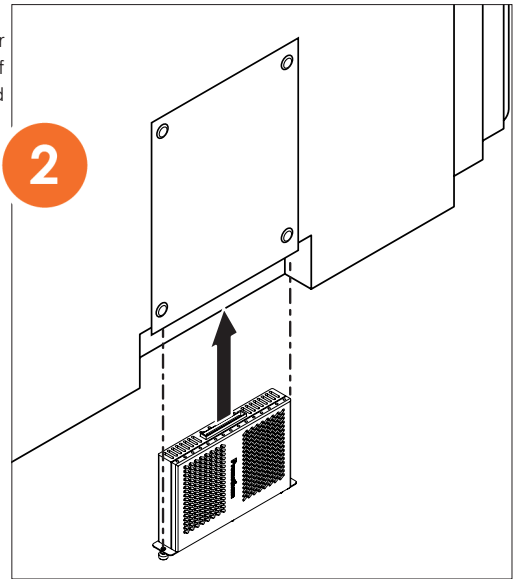
Connections



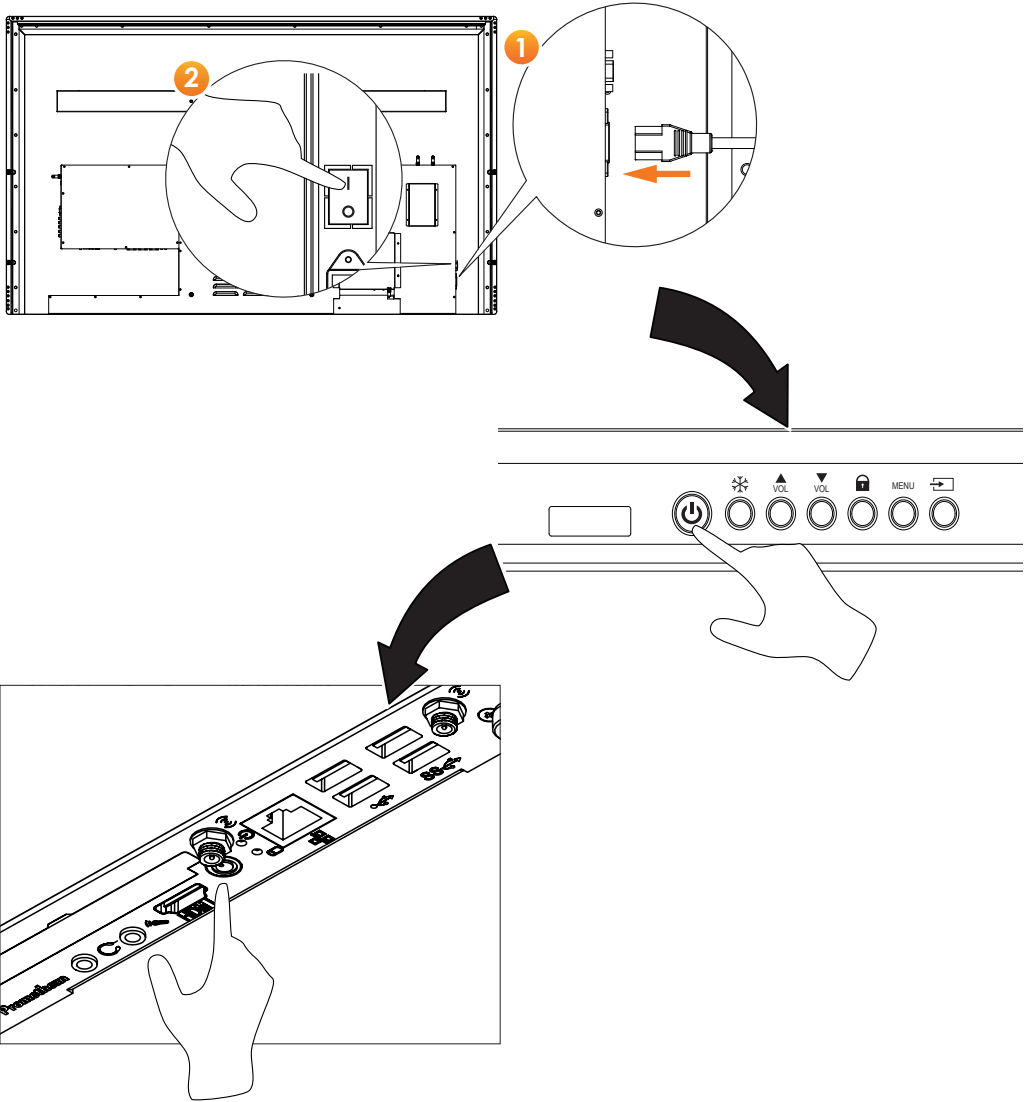
| | | | |
|---|--------------|----|------------------|
| 1 | HHD Cover | 6 | Wireless Antenna |
| 2 | Audio Out | 7 | LAN Connector |
| 3 | Audio In | 8 | USB 2.0 |
| 4 | HDMI | 9 | USB 3.0 |
| 5 | Power ON/OFF | 10 | OPS Connector |



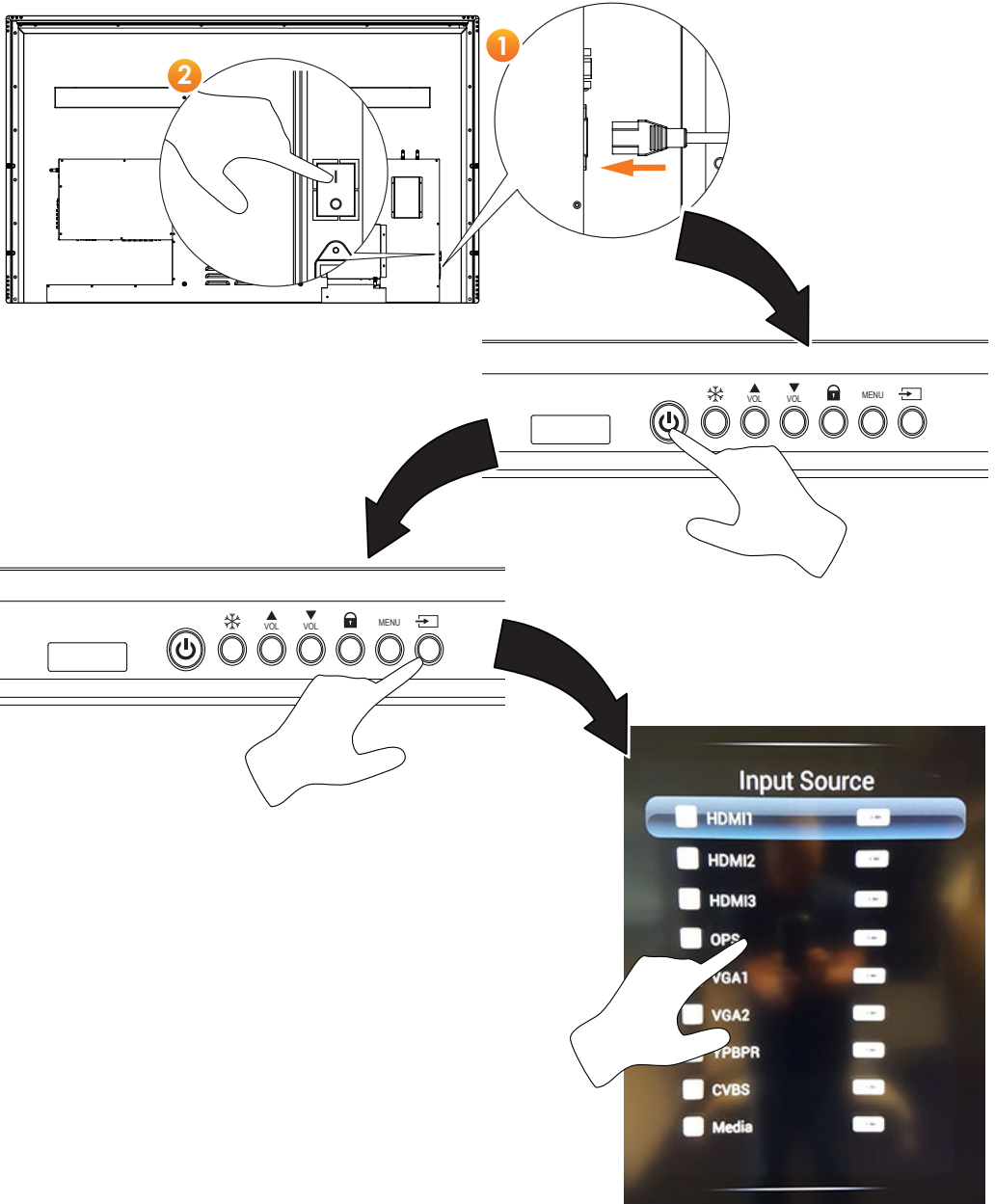
OPS Installation position should allow for air circulation around the OPS by means of venting holes or not being covered



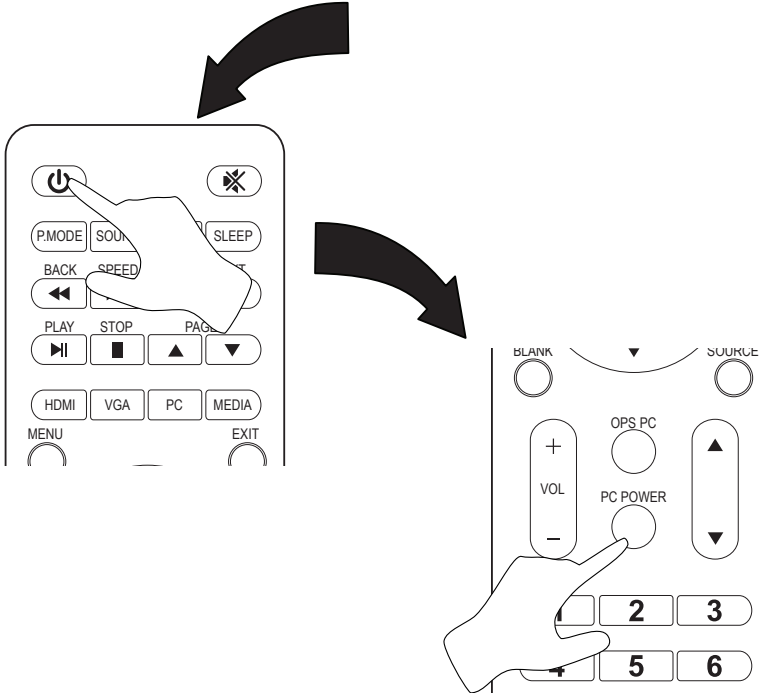
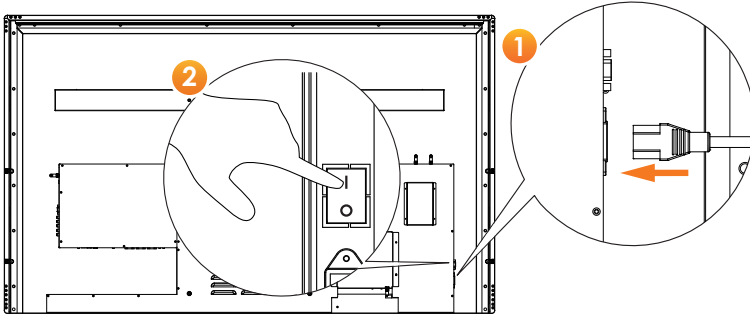
Switching On-Method One



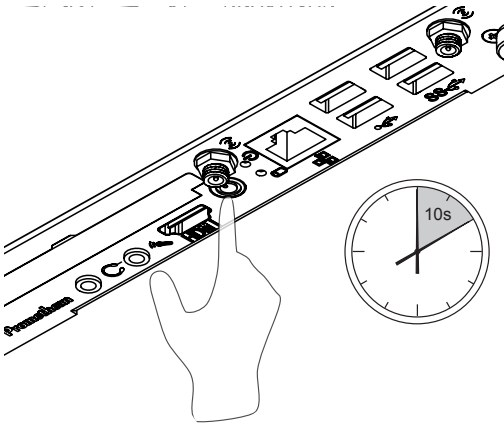
Switching On-Method Two



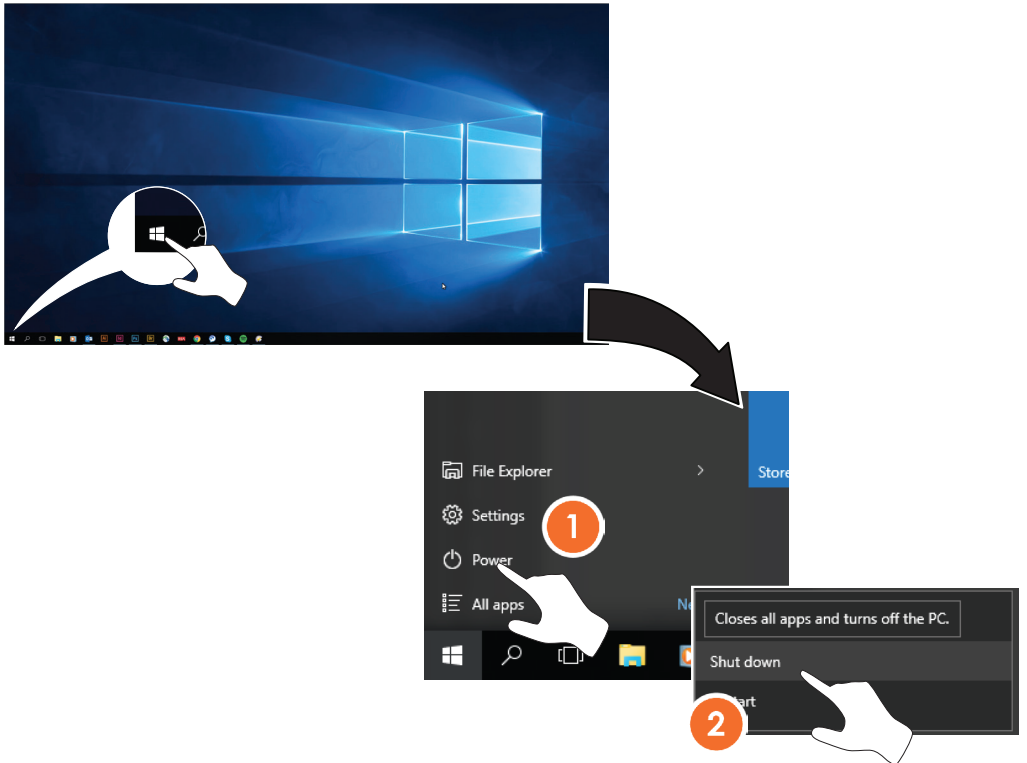
Switching On-Method Three



Switching Off-Method One



Switching Off-Method Two



Switching Off-Method Three



United States of America

NOTE: This equipment has been tested and found to comply with the limits for a Class A digital device, pursuant to part 15 of the FCC Rules. These limits are designed to provide reasonable protection against harmful interference when the equipment is operated in a commercial environment. This equipment generates, uses, and can radiate radio frequency energy and, if not installed and used in accordance with the instruction manual, may cause harmful interference to radio communications. Operation of this equipment in a residential area is likely to cause harmful interference in which case the user will be required to correct the interference at his own expense. Do not make any changes or modifications to the equipment.

Canada

This Class A digital apparatus complies with Canadian ICES-003.

Cet appareil numérique de la classe A est conforme à la norme NMB-003 du Canada.

Europe

Promethean hereby declare that the OPS-5P4R500H is in compliance with the Low Voltage Directive 2006/95/EC and the Electromagnetic Compatibility Directive 2004/108/EC. The equipment meets the following conformance standards: EN 55022, EN 55024 and EN 60950-1. Please contact Promethean for a copy of the declaration of conformity if required.

WARNING:

This is a Class A product. In a domestic environment this product may cause radio interference in which case the user may be required to take adequate measures.

Waste Electrical and Electronic Equipment (WEEE)

For more information concerning the correct disposal of these products, please contact your Promethean reseller.



The OPS-5P4R500H incorporates a Wifi module with specific compliance information

See compliance label for details of Wifi module fitted.

United States of America

Model No: OPS-5P4R500H is an open Cell personal computer to be used with UL listed panels that have installation instructions detailing user installation of card cage accessories.

This equipment has been tested and found to comply with the limits for a Class B digital device, pursuant to Part 15 of FCC Rules. These limits are designed to provide reasonable protection against harmful interference in a residential installation. This equipment generates, uses, and can radiate radio frequency energy. If not installed and used in accordance with the instructions, it may cause harmful interference to radio communications. However, there is no guarantee that interference will not occur in a particular installation. If this equipment does cause harmful interference to radio or television reception, which can be determined by tuning the equipment off and on, the user is encouraged to try and correct the interference by one or more of the following measures:

- Reorient or relocate the receiving antenna
- Increase the distance between the equipment and the receiver.
- Connect the equipment to outlet on a circuit different from that to which the receiver is connected.
- Consult the dealer or an experienced radio/TV technician for help.
- Any changes or modifications not expressly approved by the party responsible for compliance could void the user's authority to operate the equipment.

Canada

Canada – Industry Canada (IC)

Model No: OPS-5P4R500H is an open Cell personal computer to be used with UL listed panels that have installation instructions detailing user installation of card cage accessories.

This device complies with RSS 210 of Industry Canada.

Operation is subject to the following two conditions:

1. this device may not cause interference
2. this device must accept any interference, including interference that may cause undesired operation of this device.

Modèle no: OPS-5P4R500H est un ordinateur personnel portable ouvert pour être utilisé avec UL panneaux qui ont des instructions d'installation détaillant l'installation de l'utilisateur d'accessoires carte de cage.

L' utilisation de ce dispositif est autorisée seulement aux conditions suivantes :

1. il ne doit pas produire de brouillage
2. l' utilisateur du dispositif doit être prêt à accepter tout brouillage

radioélectrique reçu, même si ce brouillage est susceptible de compromettre le fonctionnement du dispositif.

The term "IC" before the equipment certification number only signifies that the Industry Canada technical specifications were met.

Europe

Europe – EU Declaration of Conformity



Marking by the above symbol indicates compliance with the Essential requirements of the R&TTE Directive of the European Union (1999/5/EC). This

equipment meets the following conformance standards: EN300 328, EN301 489-17, EN60950-1.

Please contact Promethean for a copy of the Declaration of Conformity if required.

Europe: Restrictions for use of 2.4 GHz frequencies.

France: Limited implementation . Outdoor use is limited to 10 mW e.i.r.p. within the band 2454-2483.5 MHz.

Military Radiolocation use. Refarming of the 2.4 GHz has been ongoing in recent years to allow current relaxed regulation. Full implementation planned 2012.

Italy: For private use, a general authorisation is required if WAS/RLAN's are used outside own premises. For public use, a general authorisation is required.

Radio Interface

The radio interface on this product is intended for operation in the following

countries: Austria, Belgium, Bulgaria, Cyprus, Croatia, Czech Republic, Denmark, Estonia, Finland, France, Germany, Greece, Hungary, Iceland, Ireland, Italy, Latvia, Lithuania, Luxembourg, Malta, Netherlands, Norway, Poland, Portugal, Romania, Slovak Republic, Slovenia, Spain, Sweden, Switzerland, United Kingdom

More Information

Technical Support

For an equipment connectivity diagram, online support, self-help solutions and further support visit Promethean Support at: www.prometheankb.com or support.prometheanworld.com

Promethean Planet

Promethean Planet is the fastest growing online community for interactive whiteboard users.

- Download FREE lesson resources.
- Download the latest ActivInspire software.
- View ActivTips, Teacher Features and access training materials.
- Connect with teachers worldwide and share your ideas and advice.
- Find out about the latest research into teaching and learning from educational experts around the world.
- Access hundreds of publisher created resources in the Planet Store from publishers such as National Geographic, Dorling Kindersley and Scholastic.
- Join now for FREE! www.PrometheanPlanet.com



205 Westwood Ave, Long Branch, NJ 07740
Phone: 866-94 BOARDS (26273) / (732)-222-1511
Fax: (732)-222-7088 | E-mail: sales@touchboards.com