



GENERAL SPECIFICATIONS

| | |
|---------------------------|--|
| Device Type | Open Pluggable Specification (OPS) |
| Operating System | Available with Win 10 Pro or Without |
| CPU | 10th Gen Intel Core i5 |
| GPU | Intel UHD Graphics (supports 4K @ 60 Hz) |
| RAM | 8 GB, DDR4x2, 2666MHz |
| Internal Storage | 256 GB SSD, PCI-e, M.2 |
| Touchscreen Compatibility | Yes |
| TPM | 2.0 |
| Platform | Comet Lake-U |

CONNECTIVITY

| | |
|----------------------|---|
| HDMI Out | 1x (up to 4K) HDMI 1.4 |
| USB 2.0 | x2 |
| USB 3.0 | x2 |
| USB Type-C | x1 (USB 3.1 Gen 2) |
| Headphone | x1 |
| Microphone | x1 |
| Network Connectivity | Integrated 10/100/1000 Mbps, AX200, Wi-Fi 6, Bluetooth® 5.1 |

WARRANTY

| | |
|-------------------|--|
| Standard Warranty | 3-Year Warranty. For more information, visit PrometheanWorld.com/Warranty . |
|-------------------|--|

INSTALLATION

The installation of this product should be completed by a qualified installer. Use of components not supplied by Promethean or not meeting minimum specifications may impact performance, safety and warranty. For more information, visit [Support.PrometheanWorld.com](https://www.prometheanworld.com).

SUPPORT

For all Promethean products, visit [Support.PrometheanWorld.com](https://www.prometheanworld.com).

POWER

| | |
|---------------------------|------------|
| Power Requirements | 12-19 V DC |
| Power Consumption Maximum | 60 W |
| Power Consumption Standby | 0.5 W |

ENVIRONMENTAL

| | |
|-----------------------|-------------------------------|
| Operating Temperature | 0°C to 40°C (32°F to 104°F) |
| Storage Temperature | -20°C to 60°C (-4°F to 140°F) |
| Operating Humidity | 10% to 95% |
| Storage Humidity | 10% to 90% |

PHYSICAL SPECIFICATIONS

| | |
|--------------------|--|
| Product Dimensions | 200 x 120 x 30 mm (7.9 x 4.7 x 1.2 in) |
| Packed Dimensions | 267 x 214 x 70 mm (10.5 x 8.4 x 0.28 in) |
| Net Weight | 0.7 kg (1.5 lbs) |
| Packed Weight | 1.1 kg (2.4 lbs) |

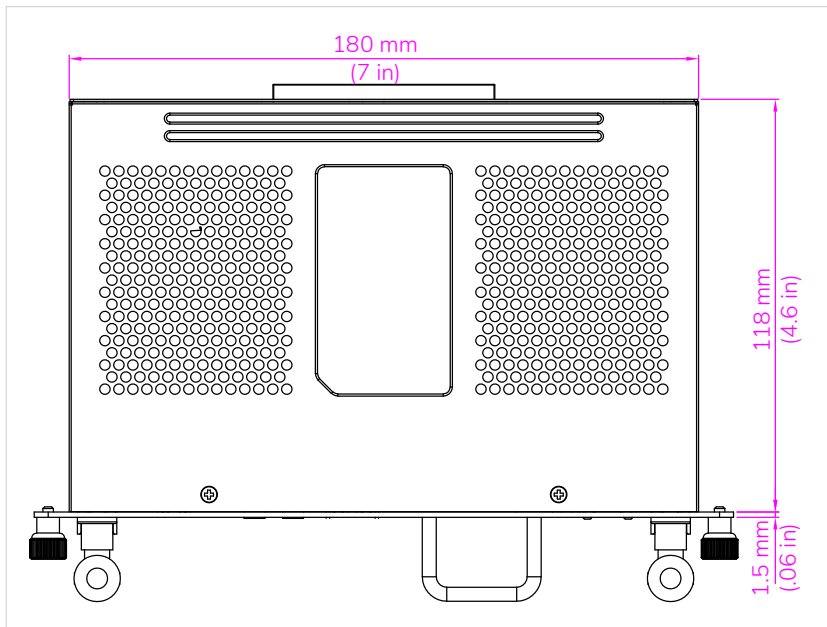
PACKED CONTENTS

| | |
|-------------------|---|
| What's in the Box | OPS-M x1, Antenna x2, Installation Guide x1 |
|-------------------|---|

COMPLIANCE & CERTIFICATION

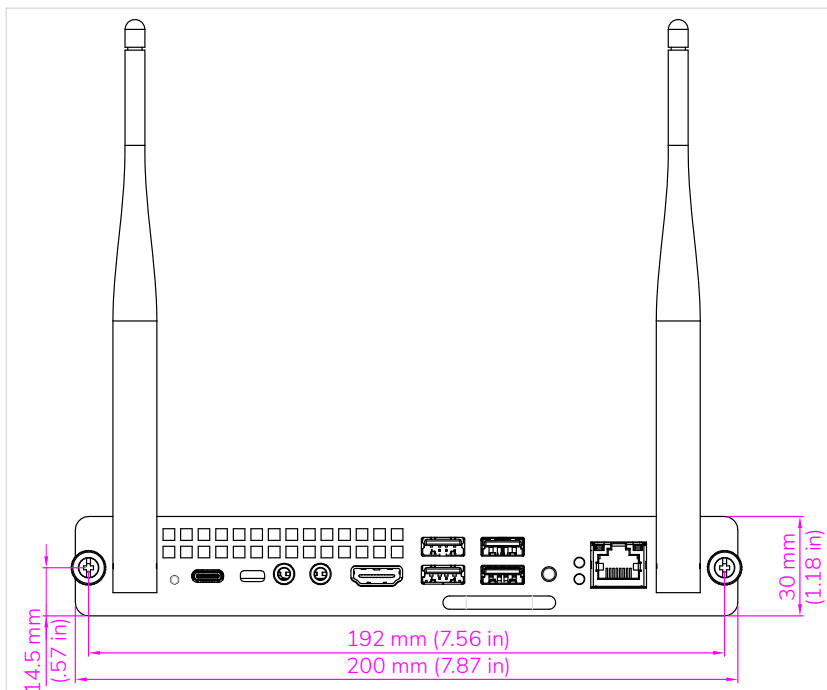
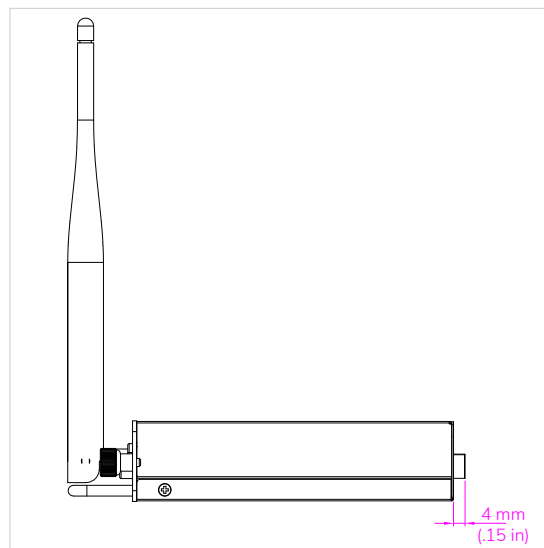
| | |
|--------------------------|----------------------------|
| Regulatory Certification | CB, CE, FCC, RCM, UL, RoHS |
|--------------------------|----------------------------|

TECHNICAL DRAWINGS



Top view

Side view



Front view

Promethean OPS-M 2021 SS 02/21 v1 EN-INTL

© 2021 Promethean Limited. All rights reserved. Promethean Ltd. is the owner of a number of trademarks in several jurisdictions across the world including but not limited to Promethean and the Promethean logo. All third-party trademarks (including logos and icons) referenced by Promethean remain the property of their respective owners. Unless specifically identified as such, Promethean's use of third-party trademarks does not indicate any relationship, sponsorship, or endorsement between Promethean and the owners of these trademarks. Applicable Terms and Conditions for warranty and support available at PrometheanWorld.com/Warranty. All weights and dimensions are approximate. Product specifications are subject to change without notice. PrometheanWorld.com.