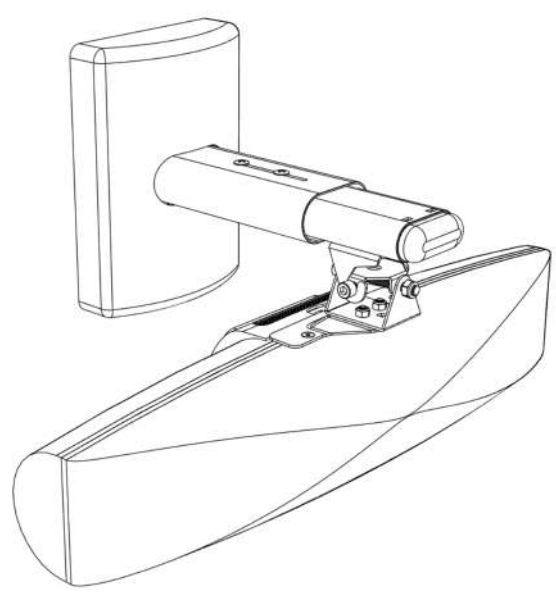


Wall Mount Assembly

Mounting Kit for Symphony Classroom™ Installation Guide



▲ WARNING / IMPORTANT SAFETY NOTICE

- Do not install the wall mount or the display mount until you have fully read and understood this installation guide.
- Incorrect or improper installation of this product may cause injury or property damage.
- Do not use the wall mount and display mount other than what is specified in the manual.
- Only qualified personnel or a mechanically proficient person should install this wall mount or display mount.
- Installers are responsible for checking the suitability of the wall in which the unit is being mounted on.
- It is recommended to have two people when lifting or mounting is involved.
- For wall mounting on drywall material or similar surfaces, please use the included plastic anchor for a more secure mount.
- Our product is intended for indoor use only; do not mount the unit outdoors as it can cause product damage or physical injury.
- Tighten the screws, but not over-torque them.
- Please contact tech support if you have any questions or comments

Limited Warranty Statement:

Your Product Accessory is covered by a Merlyn Mind, Inc. One-Year Standard Limited Warranty, the terms of which can be viewed at merlyn.org/support.

Included Hardware

Note: This list does not include pre-installed hardware or tools.



Screw (x4)
M6x3.0x54 mm



Screw (x2)
M6x1x12



Plastic Insert (x4)

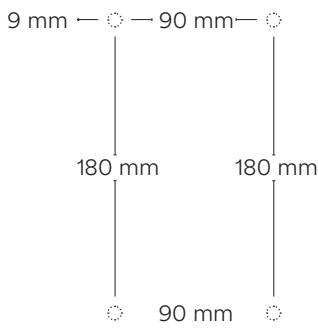


Screw (x3)
M5x0.8x15 mm

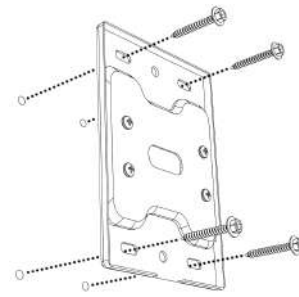


Nut (x2)
M6x1 mm

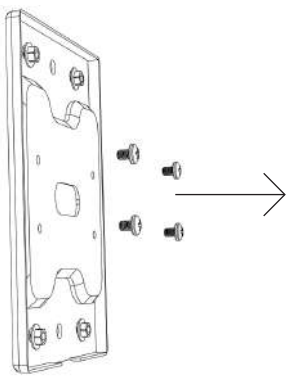
1 Drill four holes in the wall using the diameter and spacing shown below. If installing in drywall, hammer a plastic anchor into each hole.



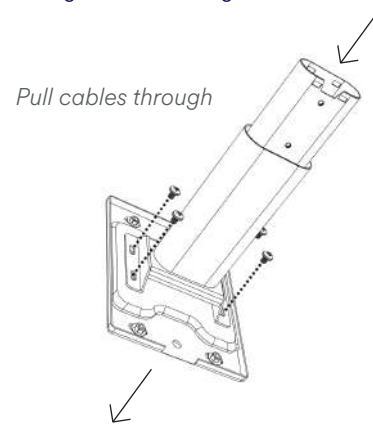
2 Attach mounting plate to wall.



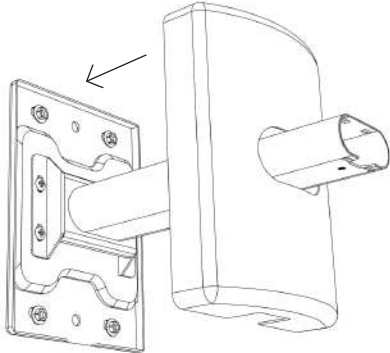
3 Remove screws from mounting plate.



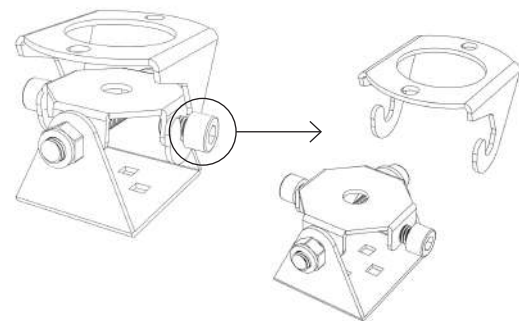
4 Attach mounting arm to the mounting plate and pull cables through the mounting arm.



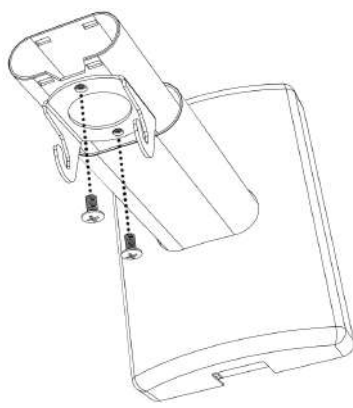
5 Attach faceplate over the mounting assembly.



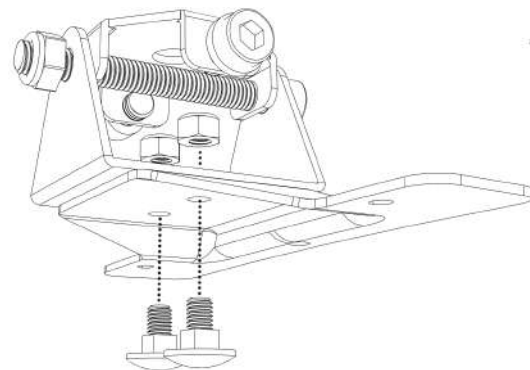
6 Detach hang hooks from swivel hardware.



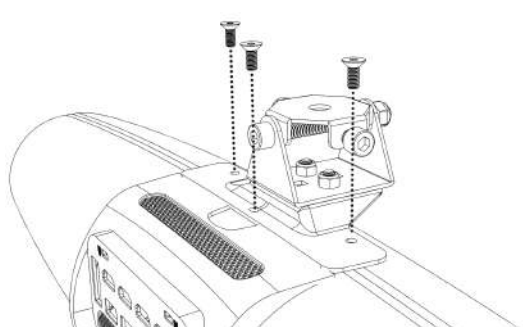
7 Attach hang hooks to mounting assembly.



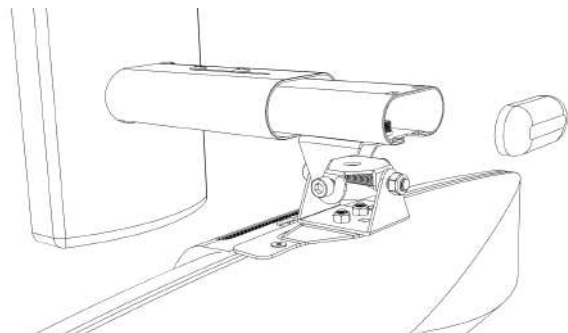
8 Attach adapter plate to swivel hardware.



9 Attach swivel hardware to Symphony Classroom™ unit.



10 Attach unit to mounting hardware using the hang hooks. Tighten swivel hardware to secure. Attach endcap.



11 The final result of the Symphony Classroom™ wall mounting assembly.

