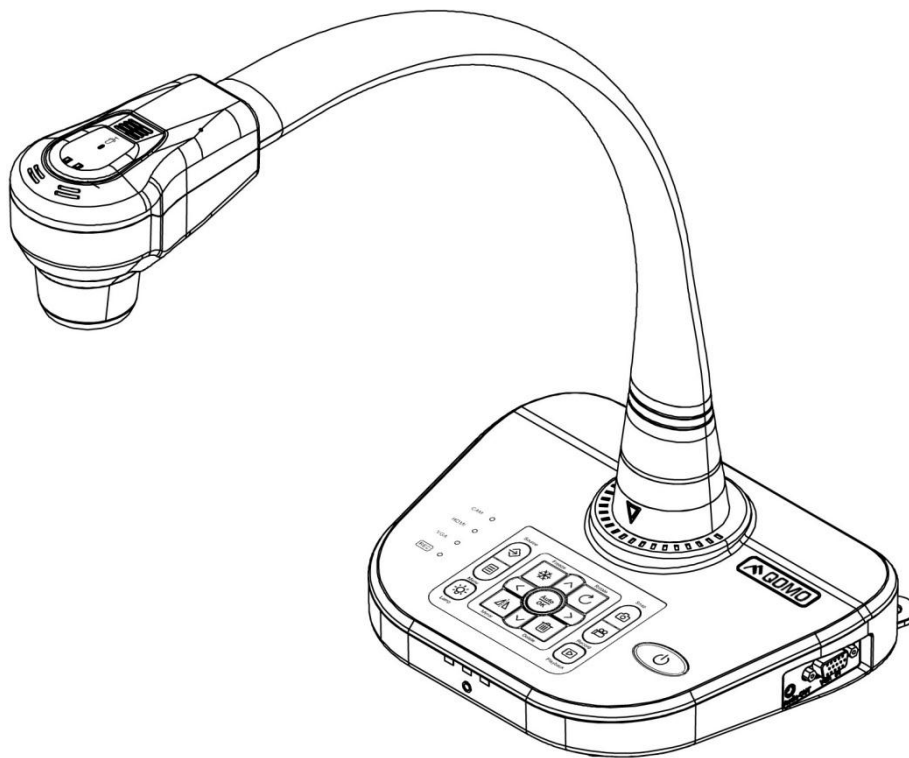


QPC80H2 Portable Visualizer

Quick Guide



This document is subject to change without notice.

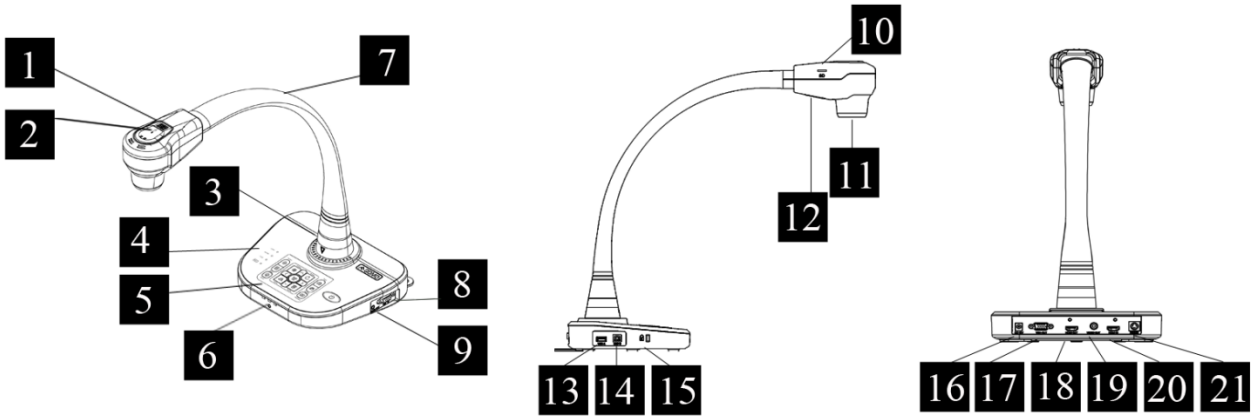
Contents

Warnings	1
Parts Identification	2
Control Panel	3
Remote Control.....	4
Portable Visualizer	5
Recommended Working Environment.....	6
Insert and Remove Micro SD Card (not supplied)	7
USB Flash Drive (not supplied).....	7
Connect Portable Visualizer to external equipment.....	8
Basic Operation.....	12
Advanced Functions.....	15
Use the device as a camera	16
Storage	17
Problems and Solutions.....	17
Specifications.....	19

Warnings

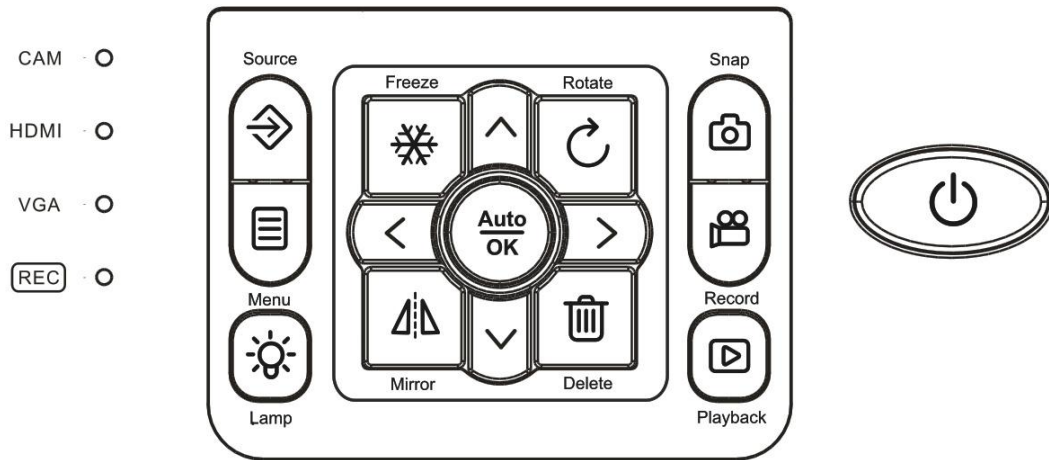
- Please prevent children from operating the device without supervision.
- Please unfold the device and adjust the camera head with one hand placing on the base and the other hand holding the case of camera head.
- Please do not look directly to the LED lamp to prevent your eyes from being damaged.
- When allocating the device, please hold the base with both hands. Do not carry the device by the gooseneck flexible tube or camera head with one hand.
- Please prevent the camera head to hit the desk top or any other hard objects, or it can be damaged easily.
- Please do not twist the gooseneck flexible tube.
- Please be careful not to spill liquid on the control panel keys.
- When the device is not in use for a while, please turn off the power.

Parts Identification



- | | | |
|---------------------------|---------------------------------------------|-------------------------------|
| 1 Ventilation Hole | 8 VGA IN | 15 Anti-theft Slot |
| 2 Microphone | 9 Audio-OUT | 16 DC 12V Power Socket |
| 3 Remote Sensor | 10 Micro SD Card Slot | 17 VGA-OUT |
| 4 Signal Indicator | 11 Camera Head | 18 HDMI-OUT |
| 5 Control Panel | 12 LED Lamp Light | 19 VIDEO-OUT |
| 6 Power Indicator | 13 USB-A for flash drive & USB mouse | 20 HDMI-IN |
| 7 Gooseneck | 14 USB-B for PC Connection | 21 RS232 |

Control Panel



Button	Function	Button	Function
	Power on/off *Press and hold for 5~10 seconds to turn off.		Mirror the current image
	Capture and save the current image		Up/Down, Increase/Decrease brightness
	Record video		Left/Right, Zoom out/Zoom in
	Enter/Exit Playback Mode		Auto-focus or confirm
	Rotate		Select the output signals
	Delete selected file from memory when in playback mode		To show or hide OSD menu
	Freeze/Unfreeze the current image		Turn on/off the LED lamp

Remote Control



Button	Function
	Auto focus
	Telescope mode/ Zoom in /Up
	Focus far/Left
	Focus near/Right
	Wide mode/ Zoom out/Down
	Delete one file from memory when in playback mode

Button	Function	Button	Function
	Freeze the top middle part of the screen		Freeze the top middle part of the screen
	Power on/off *Press and hold for 5~10 seconds to turn off.		Select resolution from XGA, SXGA, WXGA, 720P and 1080P
	Capture and save the current image		Select the output signal
	Enter/Exit playback mode		Increase red color
	Record video		Decrease red color
	Display a split screen with one half of the screen frozen and the other half to display the live image.		Increase blue color
	Black & White and color selection		Decrease blue color
	Mirror the current image		Increase the brightness
	Image rotation of 90°/180°/270°		Decrease the brightness
	To show or hide OSD menu		Interact with Projector
	Select Text or Video mode		Select Projector output signal
	Freeze/Unfreeze the current image		

Portable Visualizer

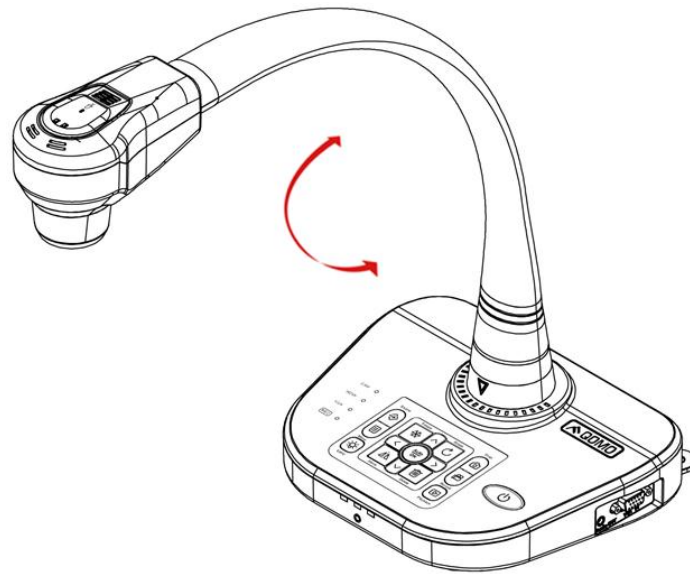
The section explains how to set up, adjust the device to meet your needs.

■ Camera Head

Please hold the camera head and adjust it to the position where you want to shoot the image.

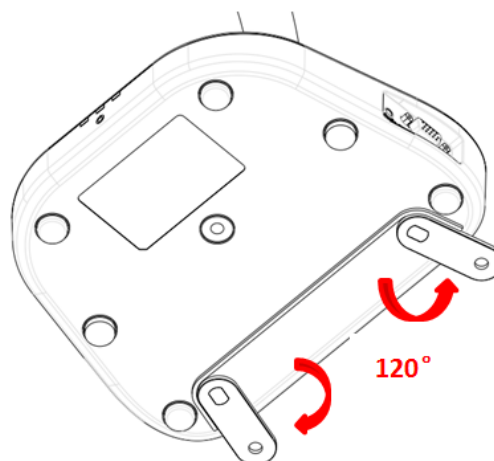
■ Gooseneck

Bend the gooseneck flexible tube gently by hand and place the camera head to the preferable height and orientation.

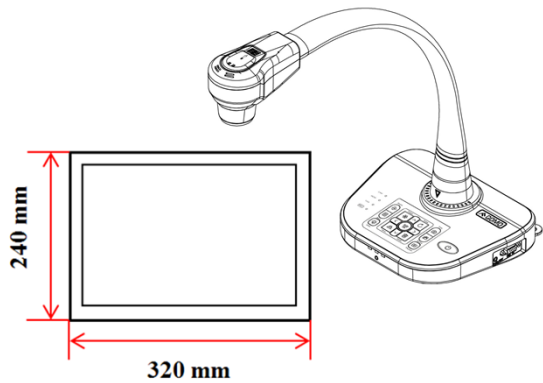


■ Support Stand

Unfold the support stand of the base to prevent the device from falling backward.

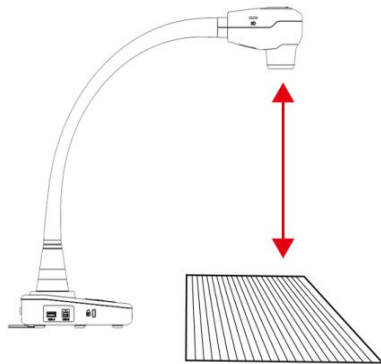


Recommended Working Environment

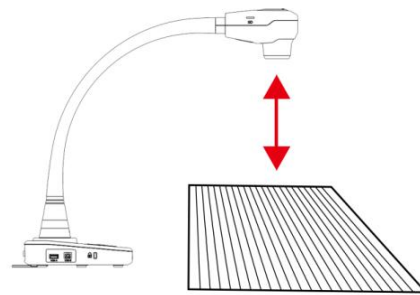


Object distance in Telescope mode: 250 mm~∞;

Object distance in Wide mode: 80 mm~ ∞;

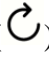


Suggested minimum height from
device in telescope mode: 250 mm

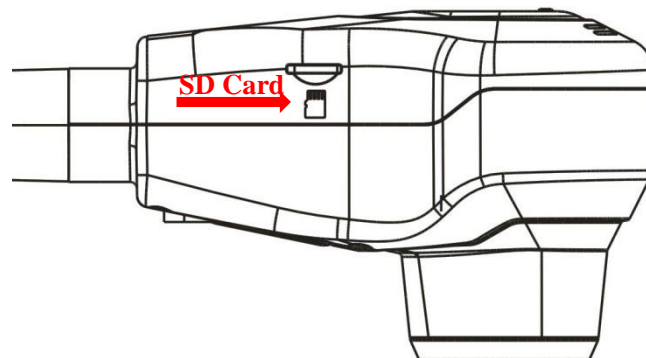


Suggested minimum height from
device in wide mode: 80 mm

Note: When the distance between object and camera is from 10 mm to 80 mm, please switch to Micro mode.

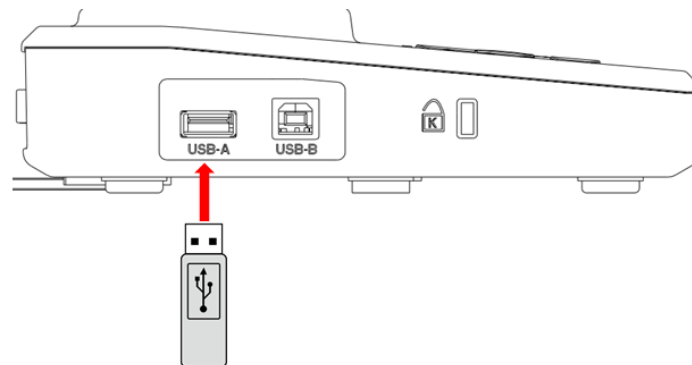
If you do not select a working environment and placement according to the recommendation described above, please use the rotation() key of the control panel or the remote control to adjust the orientation.

Insert and Remove Micro SD Card (not supplied)



1. Insert the Micro SD card into the SD card slot on top of document camera. The images and files in internal memory can be copied to SD card or the capture image can be saved in the SD card.
2. The capture image will save to SD card instead of internal memory.
3. Push SD card lightly with your finger, the SD card can be removed.

USB Flash Drive (not supplied)

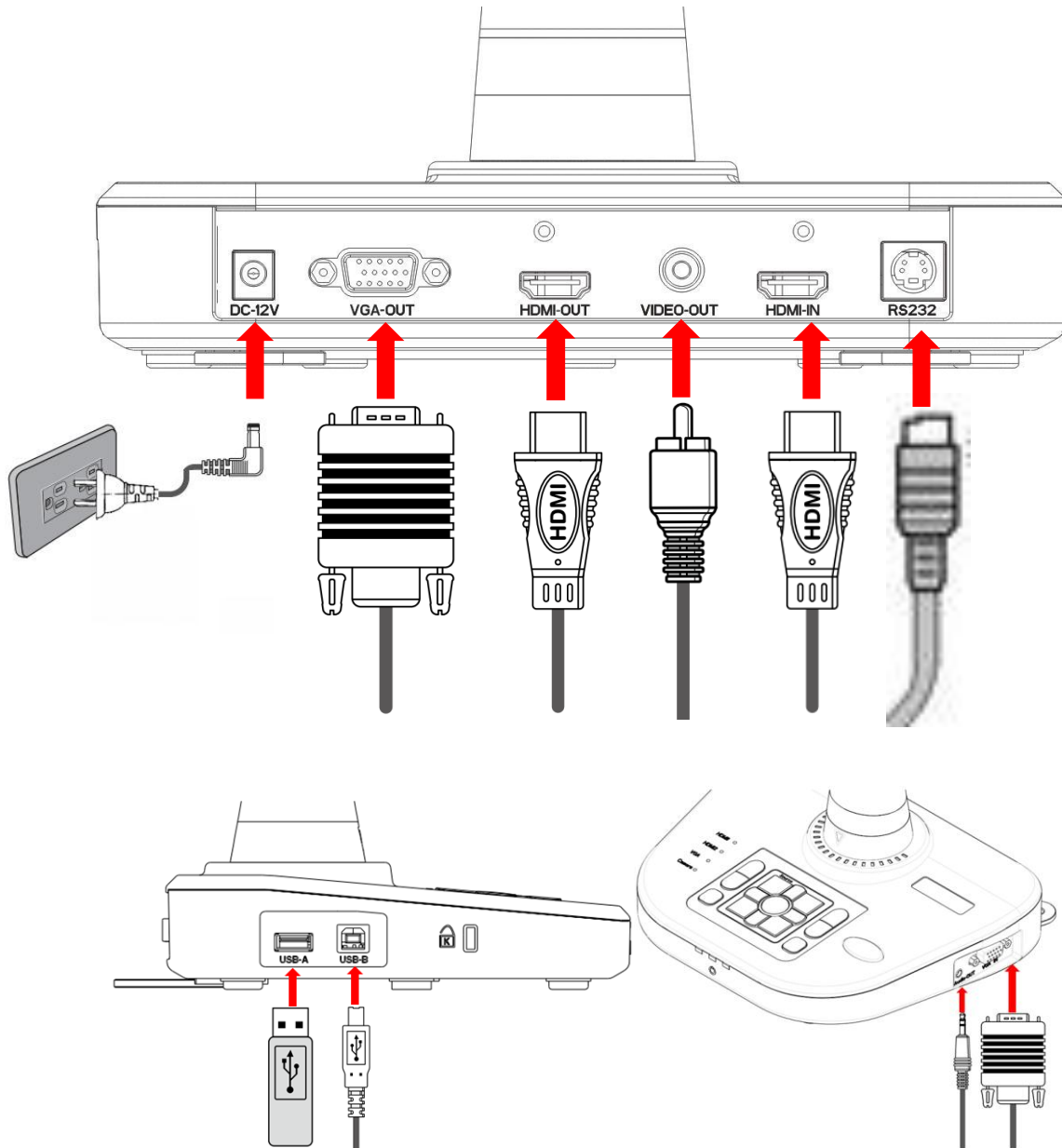


When USB flash drive plugs in USB Type-A successfully, the capture image and video can be saved in the flash drive.

Note: When USB flash drive and micro SD card are both connected, USB flash drive storage priority is higher than SD card.

Connect Portable Visualizer to external equipment

■ System connection diagram







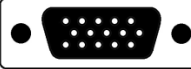

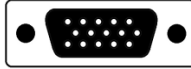














Connecting the power cord

Plug in the power adapter to the device DC 12V IN power socket first and then connect the AC power cord to a 100V~240V AC power source.

Note: The plug type of AC cord varies depending on the countries and regions where you are in.

■ Making the connection

Type	Device Interface	Cable	External Equipment Interface
HDMI	 HDMI-OUT		 HDMI-IN
	 HDMI-IN		 HDMI-OUT
VGA	 VGA-OUT		 VGA-IN
VIDEO	 VIDEO-OUT		 VIDEO-IN
AUDIO	 AUDIO-OUT		 AUDIO-IN
USB	 TYPE-B Port		 TYPE-A Port
	 TYPE-A Port		 TYPE-B Port

■ Output Resolution and image ratios

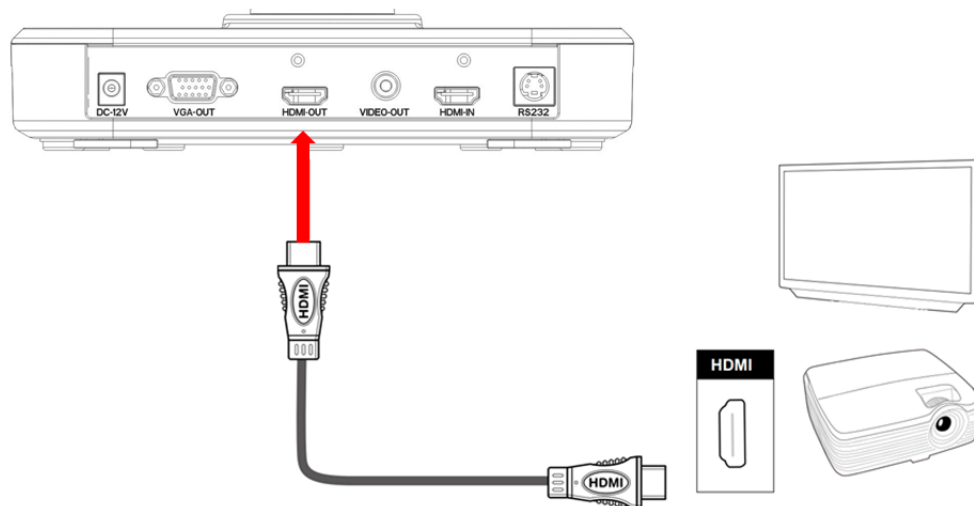
According to different resolution and image ratios, various display selections are listed below. Please refer to the table below to select the image output you prefer.

Output	Image ratio	TV System	Resolution
HDMI	16:9	-	1920x1080, 1280x800,1280x720
	4:3	-	1024x768, 1280x1024
VGA	16:9	-	1920x1080, 1280x800,1280x720
	4:3	-	1024x768, 1280x1024
Video	-	NTSC	720x480
	-	PAL	720x576

■ HD TV

Connecting the HDMI output

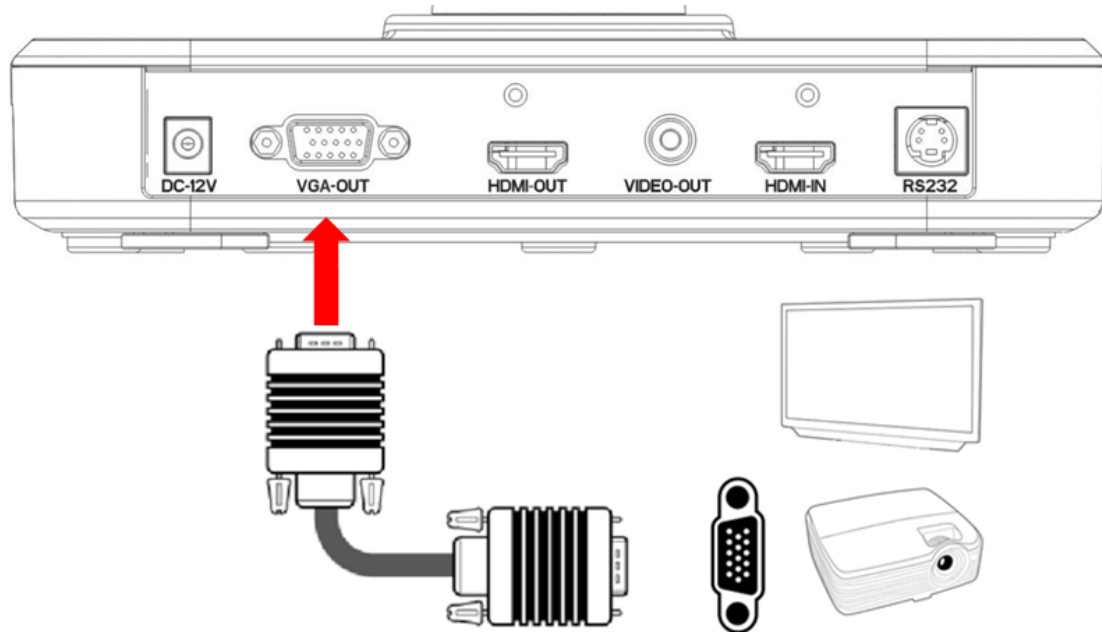
Use a HDMI cable to connect the HDMI output port of the device with the HDMI input port of TV or Projector.



■ Standard TV

Connecting the VGA output port

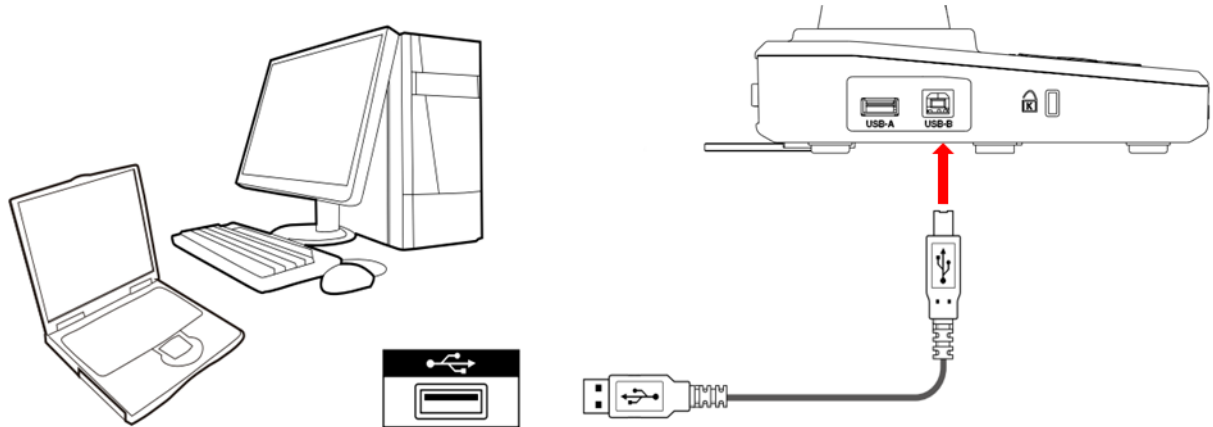
Use a VGA cable to connect the VGA OUT port of the device with the VGA input port of TV or projector.







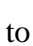



Note: Use Source Button to switch between modes.




■ **Using USB connection**


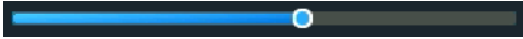



Press Menu > System Setting > USB to PC > PC Camera





Basic Operation

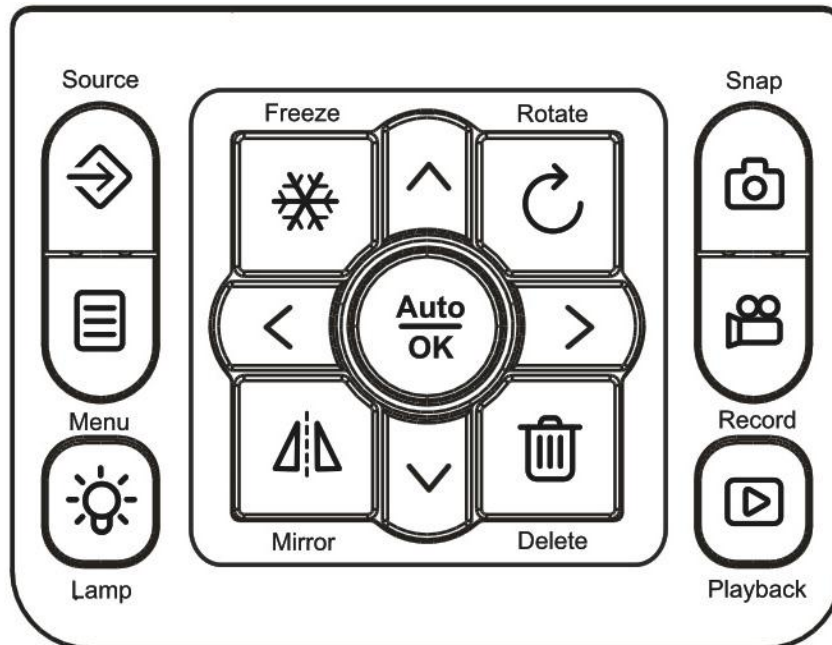
1. Press MENU () on the control panel or () on the remote control.
2. Use ( /  /  / ) to make a selection and adjust the setting.
3. Press OK button () to make the new setting activated.
4. Press the MENU () button to hide the OSD menu.

OSD MENU			
Name	Icon	Selection	Functions Description
Function		Resolution	XGA
			SXGA
			WXGA
			720P
			1080P
		Focus Mode	Auto Focus
			Manual Focus
		Mask	Activate the Mask function
		Highlight Line	Activate the highlight line function
		MIC	ON
OFF			
Image Setting		Photo Resolution	1280*720
			1920*1080
			2688*1522
		Recording Resolution	1080P@30FPS
			720P@30FPS
Video format	VGA		
System Setting		Language	Support Chinese, English, Spanish, Russian and French.
		System Time	/
		Time Setting	User defined
		Display Information	Set to display the information on top of the display or not.
		Beeper	ON
			OFF
USB to PC	PC Camera		

			Mass Storage
		File Manager	Copy to a SD card
			Delete all
			Format SD card
		System Reset	Ensure
			Ignore
		Upgrade	Ensure
			Ignore
		NTSC/PAL	NTSC
			PAL
User Profile	User 1		
	User 2		
	User 3		
Effect Setting		Mask Setting	10%, 20%, 30%, 40%, 50%, 60%, 70% and 80%
		Micro Mode	ON
			OFF
		Mirror	Normal
			Left-right Mode
			Up-down Mode
		Effect	Normal
Black-white Mode			
Negative Mode			
Flicker	50HZ/60HZ		
Brightness, Sharpness, DNR, Contrast, Saturation	 Use (< / >) to adjust its setting.		
Delay (Time-lapse) Photography		ON/OFF	ON
			OF
Interval		User defined	
Information		Firmware version: xxx	
		Hardware version: xxx	
		Release Date: xxx	
Close		Close the menu	


■ Recording videos and capturing images

1. Please choose the focus mode according to the distance to object: Telescope mode for 250 mm to ∞ ; wide mode: 80 mm to ∞ ; Micro mode for 10 mm to 80 mm.
2. Use the Left/Right buttons (< / >) to adjust the image size.
3. Use the Auto Focus button $\frac{\text{Auto}}{\text{OK}}$ to adjust the focus automatically. Use the Manual Focus button to adjust the focus manually.
4. Use the video button () to begin recording a video. Press the button again to stop recording.
5. Use Snap button () to capture an image.



Note: You need insert SD card or USB drive first in order to take a video record.


■ Play

1. Use the Playback button (). The latest captured image or video will be displayed.
2. Use Left/Right buttons (< / >) to select the file to be displayed.
3. Press OK ($\frac{\text{Auto}}{\text{OK}}$) button.

Advanced Functions

■ Mask function


You can use the Mask function key to block the area that you do not wish to display;

1. Use the Menu () button on the control panel or the remote control to show the menu.
2. Use the arrow buttons to select Mask: Menu>Function>Mask.

Note: Use the Menu () >Effect Setting>Mask setting to set the size of Mask.


■ Highlight Line function

You can use the Highlight Line function to mark those functions with a cross line.

1. Use the Menu () button on the control panel or the remote control to show the menu.
2. Use the arrow buttons to make your selection: Menu>Function>Highlight Line.

■ Time-lapse photography


You can produce the time-lapse video with video maker software.

1. Use the Menu () button on the control panel or the remote control to show the menu.
2. Use the arrow buttons to make your selection: Menu>Delay Photography.

■ Transfer the captured image to computer

Please note all recorded videos are in AVI format and saved under the file name format of xxxx.avi.

Please turn on the power of the device first.

1. Use a USB cable to connect the device with a computer.
2. Use MENU () > System Setting > USB to PC > Mass storage to detect SD card memory.

Use the computer software to view images on the SD card or simply cut and paste the image to the computer.

Note: When the control panel or the remote control is in operation, please do not unplug the USB cable to prevent the device from malfunction.

Use the device as a camera

■ Start the settings

1. Connect the device with the computer through USB Type-B: Turn on the power of your computer, and use the USB cable to connect the device with the USB port of your computer. Please confirm the USB is connected correctly.
2. Press Menu > System Setting > USB to PC > PC Camera
3. After connecting the device with your computer, when the computer detects the camera, the connection is therefore successfully established. You may use the installed software and start the camera functions (for example: Skype).

■ Connecting the microscope

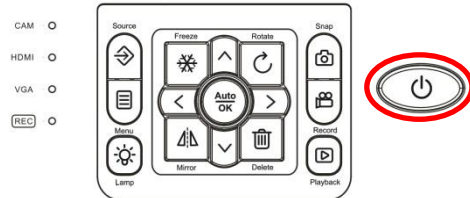
To connect the device with a microscope can display microscopic objects on a large screen.

1. Adjust the microscope and the objects to be focused.
2. Please select a proper microscope adapter.
3. First, install the microscope adapter on the lens of device.
4. Switch to Micro mode. Press Menu> Effect setting> Micro Mode ON.
5. After the microscope adapter is installed on the camera head, connect the camera head with an ocular lens.
 - ◆ If the image on the presentation screen is blurry, please adjust the focus of the microscope.
 - ◆ Please use the Auto Focus button on the control panel or the Manual Focus

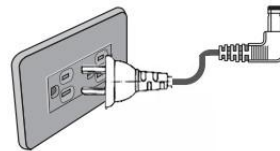
button on the remote control to conduct the micro focus.

Storage

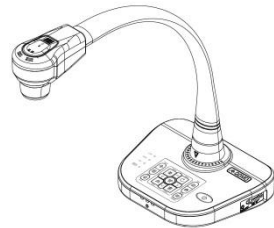
1. Please turn off the power of the device.



2. Please unplug and remove the power cord and all other cables from the device.



3. Please refer to the diagram to the right to fold the gooseneck flexible tube for storage.



Problems and Solutions

Problem	Possible causes	Solutions
The device does not turn on in normal condition.	The power adapter is not connected correctly to the device or the power socket.	Make sure the power adapter is connected correctly to the device and power socket.
The device is unable to capture images or record videos.	The device has insufficient memory.	Remove some files and clear up the memory space of SD card/ USB flash drive or built-in memory.
	The SD card is protected.	Reset the SD card to be writable.
After the device is connected, there is no image output.	The device is not connected to the external equipment correctly.	Re-connect the device with the external equipment.
	The external equipment is not selected correctly.	Select the correct external equipment.

	The resolution of the external equipment is set incorrectly.	Reset the resolution of the external equipment.
	The device is not switched to the correct source of signals.	Switch to the correct source of signals.
	The computer transfer key (VGA) is activated.	Press the source of signal (CAM).
	HDMI is activated.	Press the source of signal(CAM)
The captured image is too blurry.	The object to be photographed may be too close to the camera head.	Use Auto Focus or Manual Focus to adjust the focus.
		If the distance for photographing is less than 20cm, please switch the focus mode to Micro mode.
The image is upside down.	The objects are not placed in the recommended working environment.	Press the image Rotation key to adjust the display orientation.
The image cannot be moved around.	The image cannot be moved around because the Freeze function of the device is activated.	Press again the Freeze function key on the control panel or the remote control to deactivate the function.
The remote control does not respond.	The battery runs out.	Please replace with a new battery.
	Objects are located between the remote control and the device and block the communication signals.	Please remove the objects that block the communication signals.
	The distance between the remote control and the device is too far.	Please shorten the distance between the remote control and the device.

Specifications

Model	QPC80H2
Image Sensor	Omnivision 1/3" CMOS
Lens	6 x optical zoom, 10 x digital zoom
Shooting Area	A3/A4
Video Resolution	XGA : 1024*768, XGA : 1280*1024 WXGA : 1366*768, 1080P : 1920*1080 720P : 1280*720
Image Resolution	5.0 Mega
Frame Rate	1080p@30fps
Input Connector	HDMI 1.4 Compliant: (1) VGA: DB15FLC(1)
Output Connector	VGA: DB15FLC(1) C-Video: RCA(1) HDMI: (1) RS232(1)
Microphone	Build-in
Speaker	N/A
DC POWER	12V/2A
USB (UVC)	Yes
USB Mouse	Yes
USB Thumb Drive	Yes
USB Mass Storage	Yes
USB Camera	Yes
Digital Zoom	Yes
Video Merge	N/A
Audio Output	Yes
Memory Card	Yes
LED Lighting	Yes
LCD Preview	N/A
AWB/AF/AE	Yes
Image Effects	B&W/Negative/Mirror/Freeze/Text/Split
Remote Control	Yes
Rotate	90 °/180 °/270 °