

RC108
RC109
RC110

Tech Easel Upgrade Kit



Assembly Guide RC108_109_110_2014_B

Check out our other products online at
www.copernicused.com

For assistance, please contact us:

1-800-267-8494

Email info@copernicused.com

Have your packing slip ready for reference

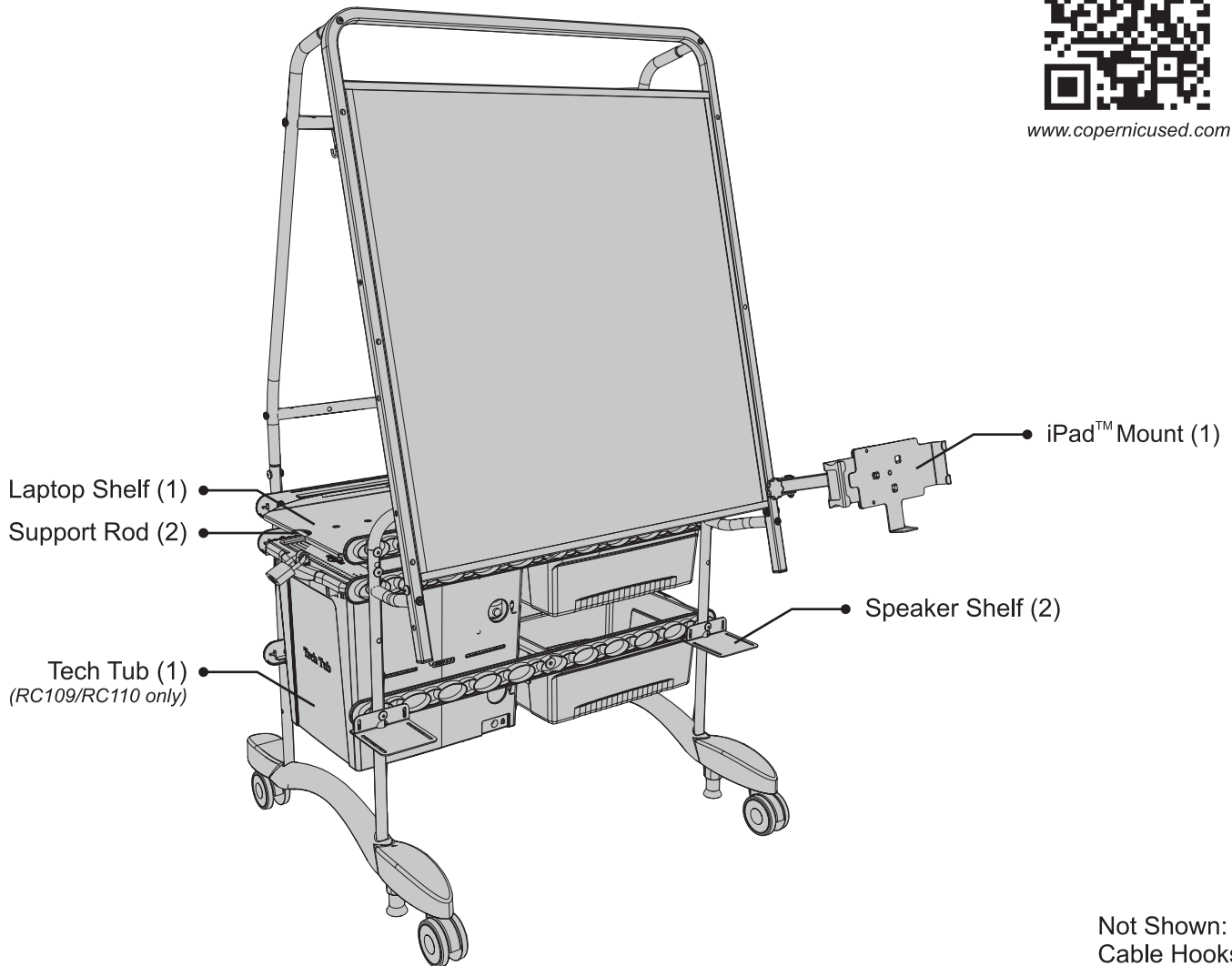
WARNING !

- This product is meant to be assembled by an adult.
- In its unassembled state, small parts present a hazard.
- To be used under direct supervision of an adult.

Check out some of our
other great products!



www.copernicused.com



Not Shown:
Cable Hooks (2)



Please Recycle



Warning! Hazard Risks!

Please read the warnings below for important safety information regarding your product. Failure to read these warnings or to follow the instructions below could result in personal injury or damage to your product that could void your warranty.



Small Parts

In its unassembled state, this product contains parts that can be hazardous to small children. This product should be assembled by an adult.



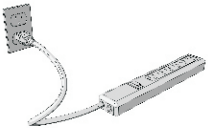
Adult Supervision

This product is to be used under the supervision of an adult.



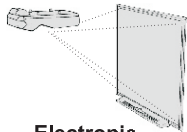
Indoor Use Only

This product is intended for indoor use only. To reduce the risk of fire or electric shock, do not expose this product to rain or moisture. The internal components are not sealed from the environment.



Powerbar Specifications

Read your powerbar's electrical specifications. Only plug in devices that are approved for use with this powerbar. Connect the supplied power bar directly to a wall outlet. **Do not connect to another power bar or use an extension cord.** Unplug when not in use.



Electronic Equipment

Read the electrical specifications of any electronic equipment you are using with your Copernicus products. Failure to read these specifications and follow their instructions could result in damage to your equipment or personal injury.



Cable Trip Hazard

Ensure that any cables extending across the floor to your product are properly bundled and marked to avoid tripping or falling which may lead to personal injury.



Electrical Shock

Do not install or use the electrical components of this unit during a lightning storm.



Climb Hazard

Do not climb on, hang from or suspend objects from any components of your product unless otherwise specified.



RC108
RC109
RC110

Tech Easel Upgrade Kit - Parts

Before beginning, you should have:

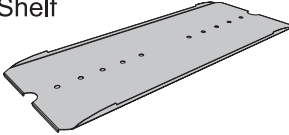
Additional tools required:



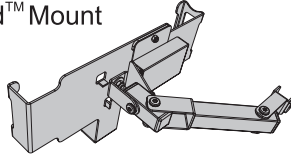
Adjustable wrench x1

Contents - TEC-AC107

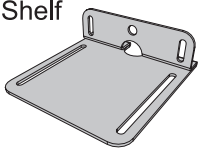
Laptop Shelf
1x



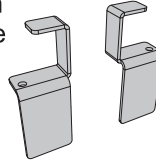
iPad™ Mount
1x



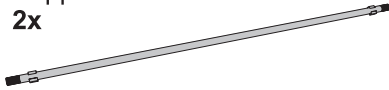
Speaker Shelf
2x



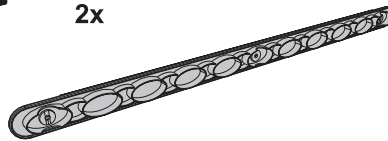
Cable Hooks with
double sided tape
2x
(1 Left, 1 Right)



Support Rod
2x



Tub Channel
2x



In Box 1

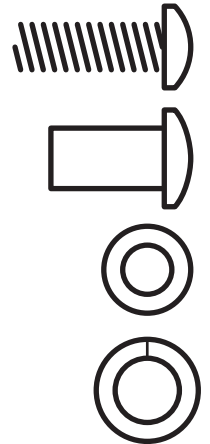
Hardware
Actual Size

(A) M6 x 19mm
2x

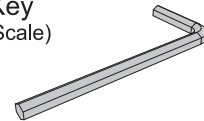
(B) M6 Collar Nut
6x

(C) M6 Flat Washer
(2mm Gauge)
8x

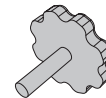
(D) M8 Lock Washer
6x



Allen Key
(Not to Scale)
2x

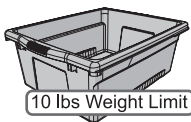


Knob
(Not to Scale)
1x



RC108

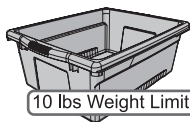
Open Tub
4x
(CC4068)



10 lbs Weight Limit

RC109

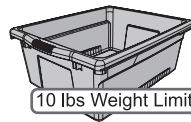
Open Tub
2x
(CC4068)



10 lbs Weight Limit

RC110

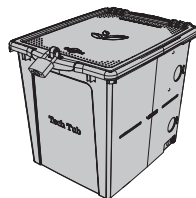
Open Tub
2x
(CC4068)



10 lbs Weight Limit

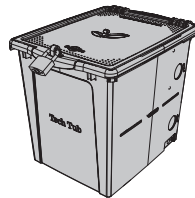
RC109

Tech Tub - Base
(TEC57)
1x



RC110

Tech Tub - Premium
(TEC500)
1x





2 Person

Watch for These Helpful Symbols

- This symbol denotes a 2 Person Task. For safety, please ensure that there are two people working on steps displaying this symbol



- Watch for this symbol throughout the Assembly Instructions. Wherever you see it, pay close attention. The symbol denotes a step needing extra attention to ensure it is done correctly.



- The Star symbol highlights an advisory note

Before You Begin



- Layout and identify all of the included parts
- The hardware has been packed by step
- Read the assembly instructions over once to familiarize yourself with them
- Please note that in its unassembled state, this product contains parts that can be a hazard to small children; it should be assembled by an adult.

As You Assemble the Unit



- Follow the steps in sequence
- Before beginning each step, find the part(s) that you need for that step
- Pay attention to the labeling on the parts, they are there to help direct you at certain stages
- The title of each step states what you will be doing. Review the text and the pictures as you build the unit.

Don't forget to check out our tips for your whiteboard at:
www.copernicused.com

Tech Easel

10 Year
Frame
Warranty

Life Time
Tub
Warranty

Tech Tub™

5 Year
Tub and Lid
Warranty

1 Year
Component
Warranty

Validate Your Warranty On-Line

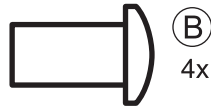
To validate your warranty submit the ON-LINE form at www.copernicused.com

“The beautiful thing about learning is that no one can take it away from you.” - B. B. King

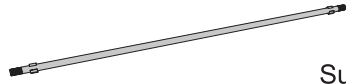


1

Actual Size:

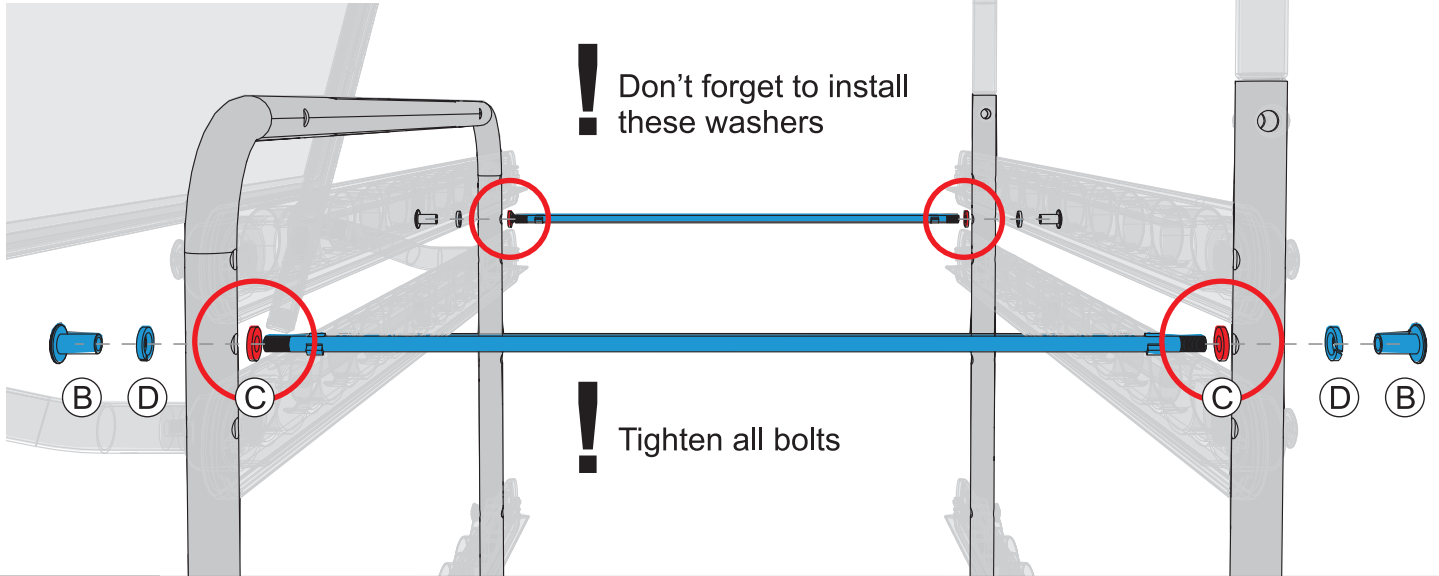


You will need: (Not to Scale)



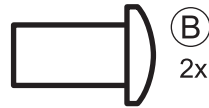
Support Rod
2x

Install Support Rods

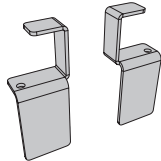


2

Actual Size:

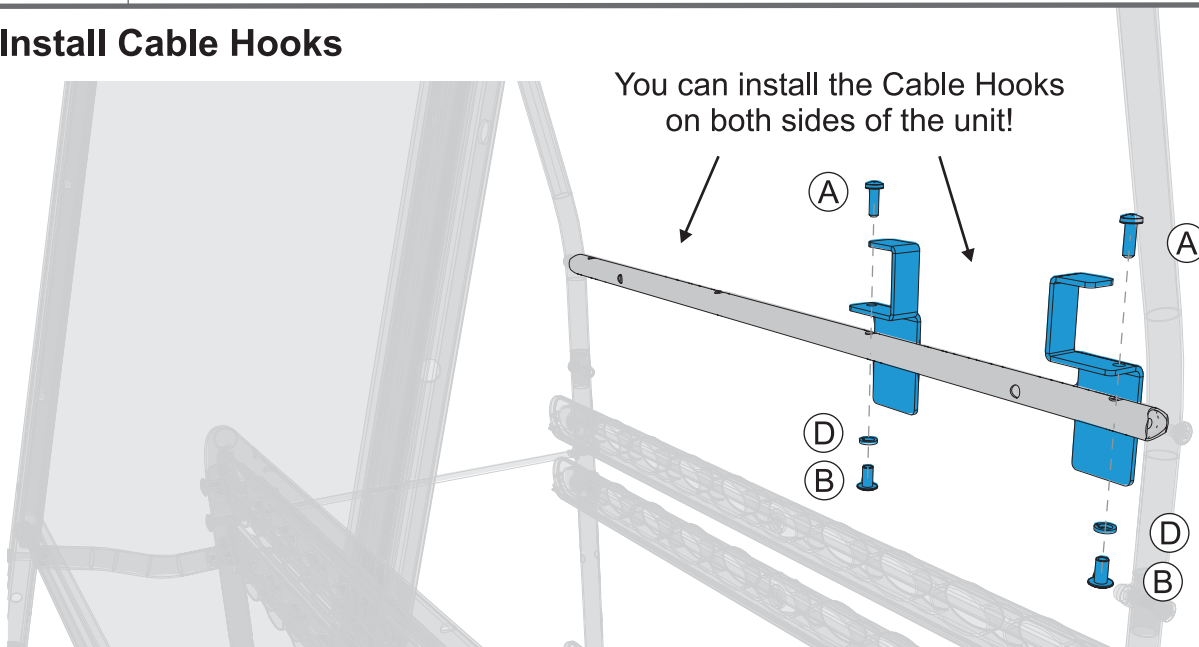


You will need: (Not to Scale)



Cable Hooks
(1 Left, 1 Right)
2x

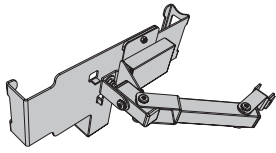
Install Cable Hooks



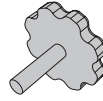
3

Actual Size:

You will need: (Not to Scale)

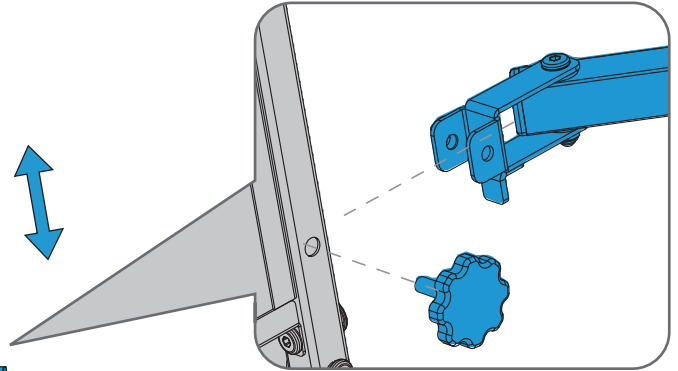
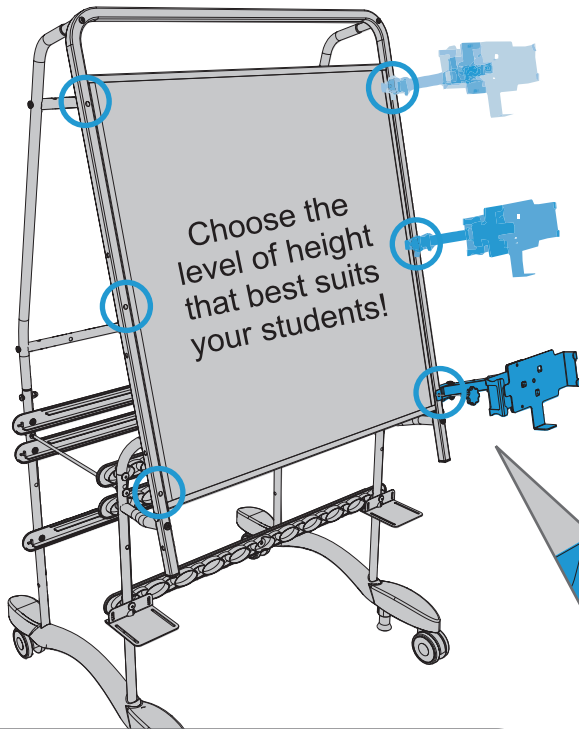


iPad™ Mount
1x

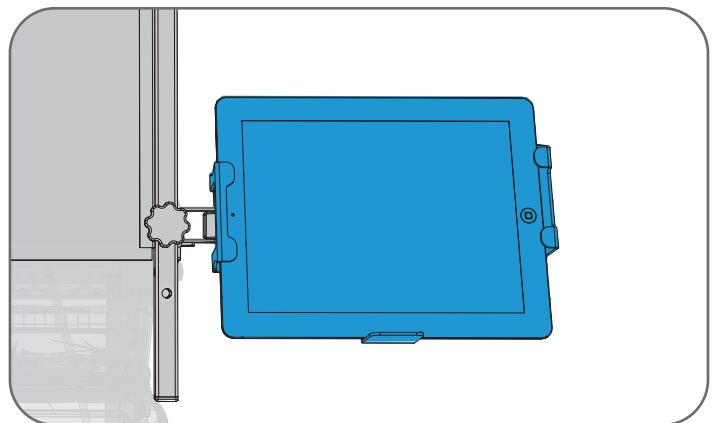
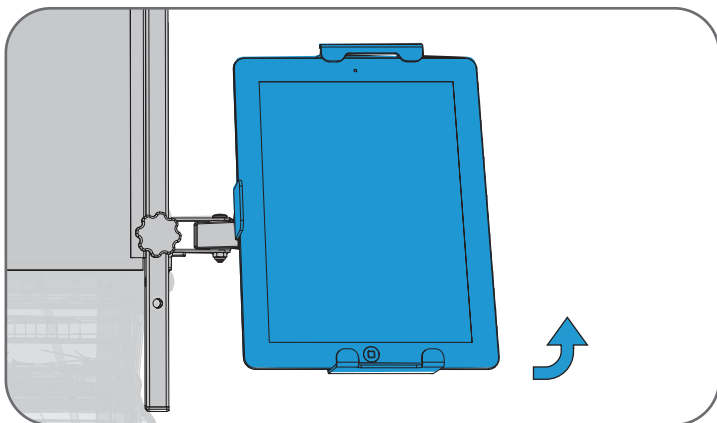
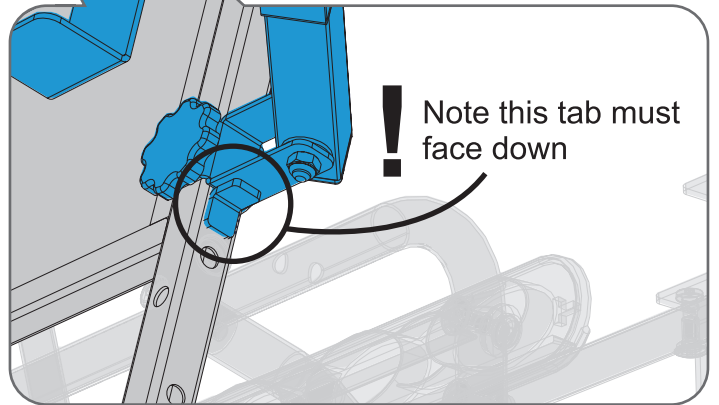
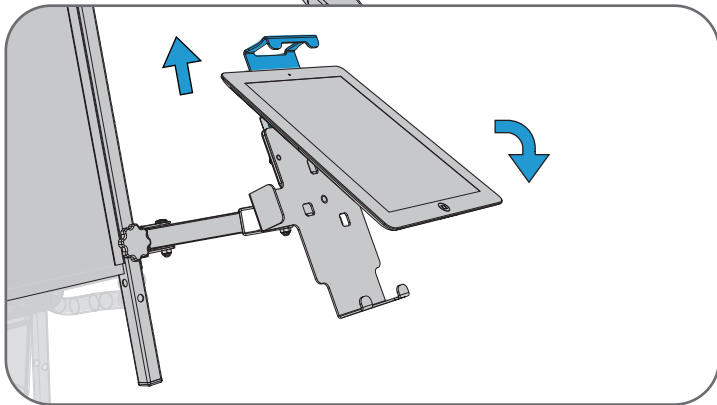


Knob
1x

Attach Dewey Arm

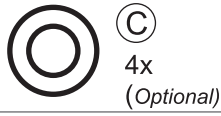


! Don't forget you can install the iPad™ Mount on BOTH sides of the whiteboard

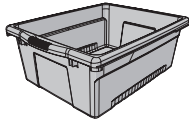


4

Actual Size:

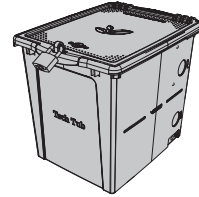


You will need: (Not to Scale)



Open Tub
2-4x

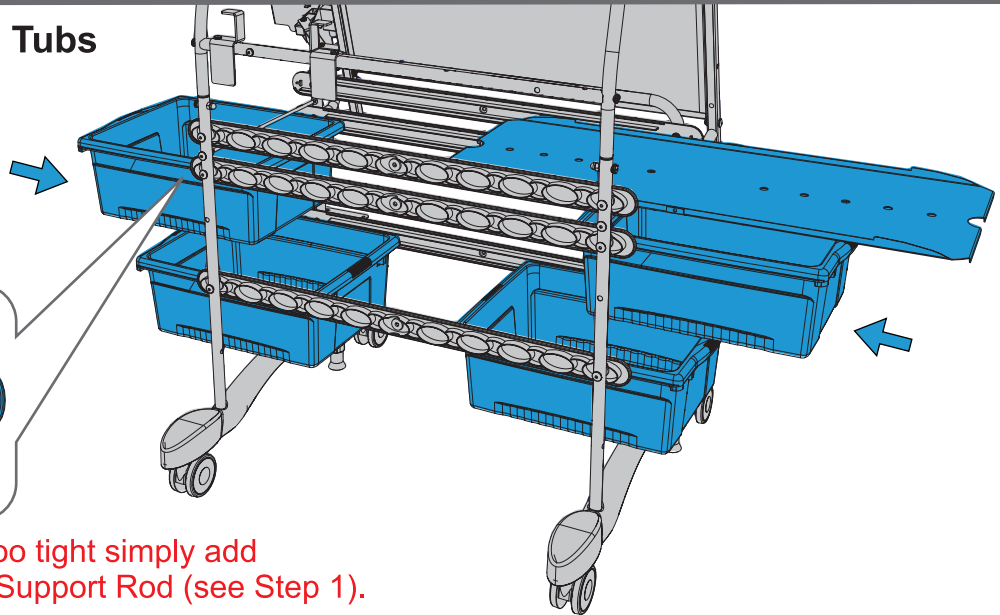
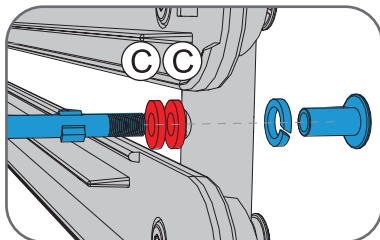
OR



Tech Tub
Base - TEC57
Premium - TEC500
1x

Install Laptop Shelf and Tubs

Your tub configuration will vary depending on your selected kit.

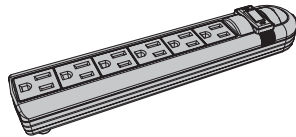


If the Tub Channels are too tight simply add one more washer on the Support Rod (see Step 1).

5

Actual Size:

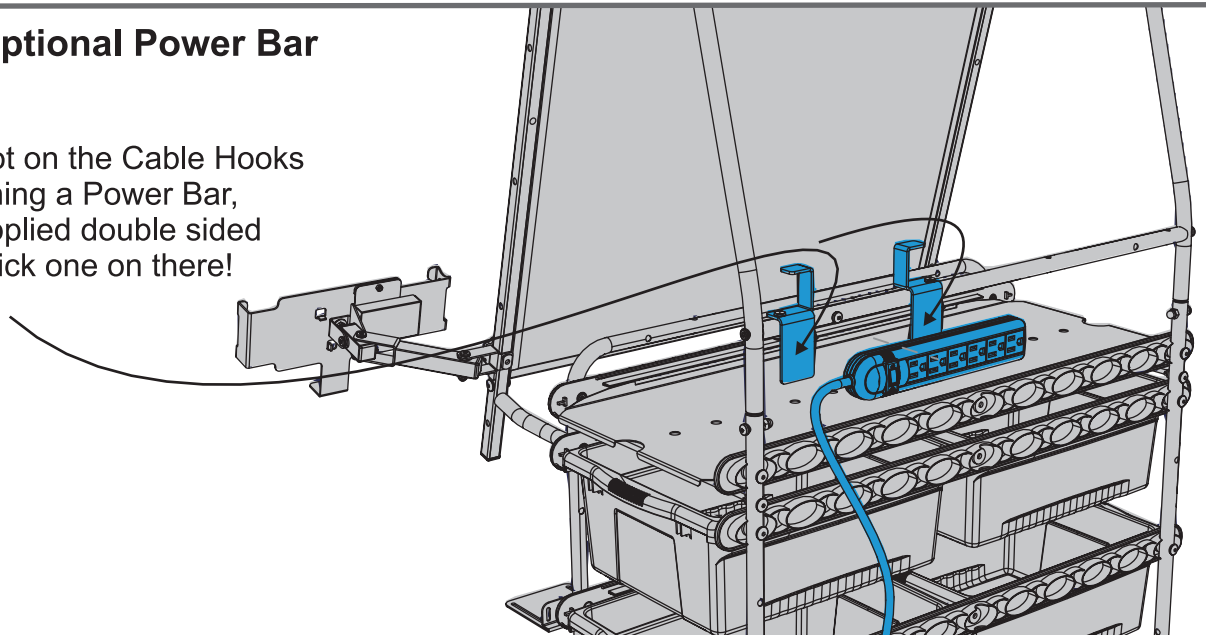
You will need: (Not to Scale)



Power Bar (not included)
1x

Attaching Optional Power Bar

! The flat spot on the Cable Hooks is for attaching a Power Bar, use the supplied double sided tape and stick one on there!



RC108
RC109
RC110

Tech Easel Upgrade Kit



Assembly Guide RC108_109_110_2014_B

Check out our other products online at
www.copernicused.com

For assistance, please contact us:

1-800-267-8494

Email info@copernicused.com

Have your packing slip ready for reference

Dear Educator,

Thank you for purchasing one of our products.

I hope the assembly of your **Tech Easel Upgrade Kit** went well.

If you have any questions, or concerns, or ideas for how we can improve, please call us at 1-800-267-8494, where someone will be happy to help.

Enjoy using your new product, and happy teaching,

Jim Phillips
President

Quality schools are the result of quality teachers going above and beyond the call of duty.

VICKI CARUANA

In everyone's life at some time our inner fire goes out. It is then burst into flame by an encounter with another human being. We should all be thankful for those people who rekindle the inner spirit.

ALBERT SCHWEITZER

My idea of education is to unsettle the minds of the young and inflame their intellects.

ROBERT MAYNARD
HUTCHINS

Nothing has a better effect upon children than praise.

SIR PHILLIP SIDNEY

