

RC107, RC108,
RC109, RC110

Regal™ Reading/Writing Center



Assembly Guide RC107_2014_F

Check out our other products online at
www.copernicused.com

For assistance, please contact us:

1-800-267-8494

Email info@copernicused.com

Have your packing slip ready for reference

WARNING

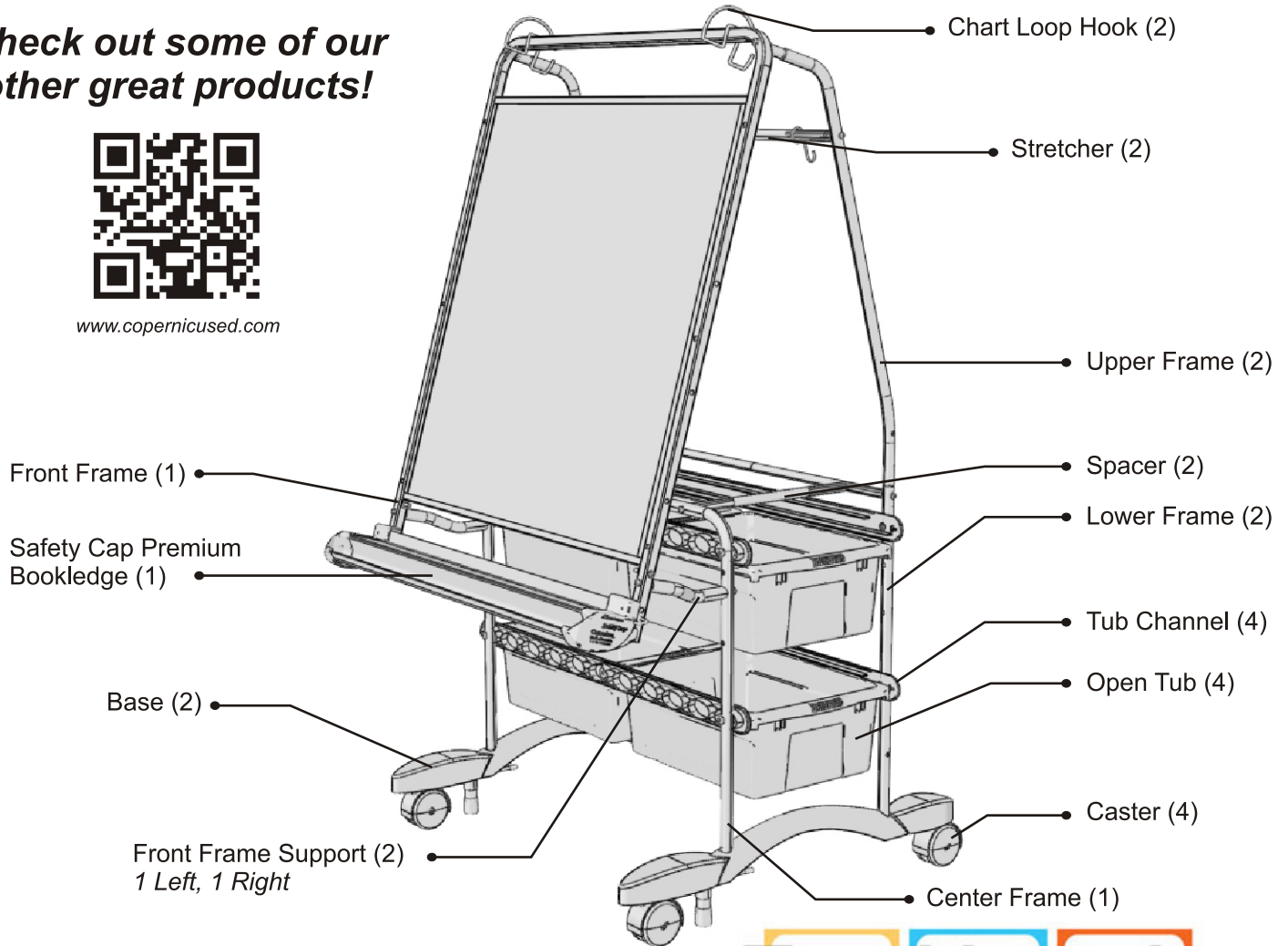
- This product is meant to be assembled by an adult.
- In its unassembled state, small parts present a hazard.
- To be used under direct supervision of an adult.

Don't forget to check out our tips for your whiteboard at:
www.copernicused.com

Check out some of our
other great products!



www.copernicused.com



Touchboards

205 Westwood Ave, Long Branch, NJ 07740
Phone: 866-94 BOARDS (26273) / (732)-222-1511
Fax: (732)-222-7088 | E-mail: sales@touchboards.com

Life Time
Tub
Warranty

10 Year
Frame
Warranty

Validate Your Warranty On-Line

To validate your warranty submit the ON-LINE form at www.copernicused.com

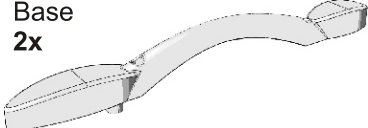


Please Recycle

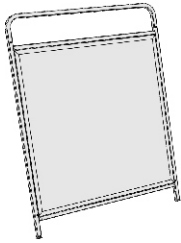
Before beginning, you should have:

Contents - Box 1

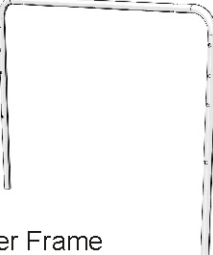
Base
2x



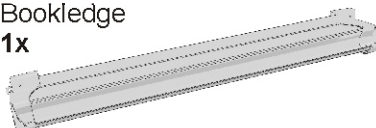
Front Frame
1x




Center Frame
1x




Safety Cap Premium Bookedge
1x



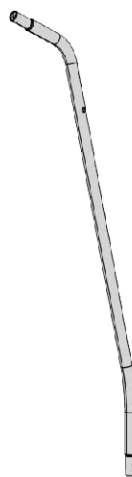
Lower Frame
1 Left, 1 Right
2x




Stretcher
2x



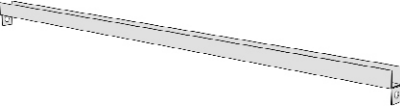
Upper Frame
1 Left, 1 Right
2x




Spacer
No Thru Holes
2x



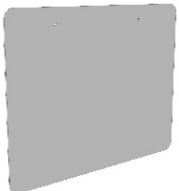
Whiteboard Channel
1x




Tub Channel
4x



Removable Rear Whiteboard
1x



Front Frame Support
1 Left, 1 Right
2x



3" Caster
4x






Chart Loop Hook
2x



Rear Whiteboard Hook
2x



Hardware

Actual Size

Ⓐ M6 x 15mm
10x

Ⓑ M6 x 20mm
2x

Ⓒ M6 x 25mm
2x

Ⓓ M6 x 35mm
16x

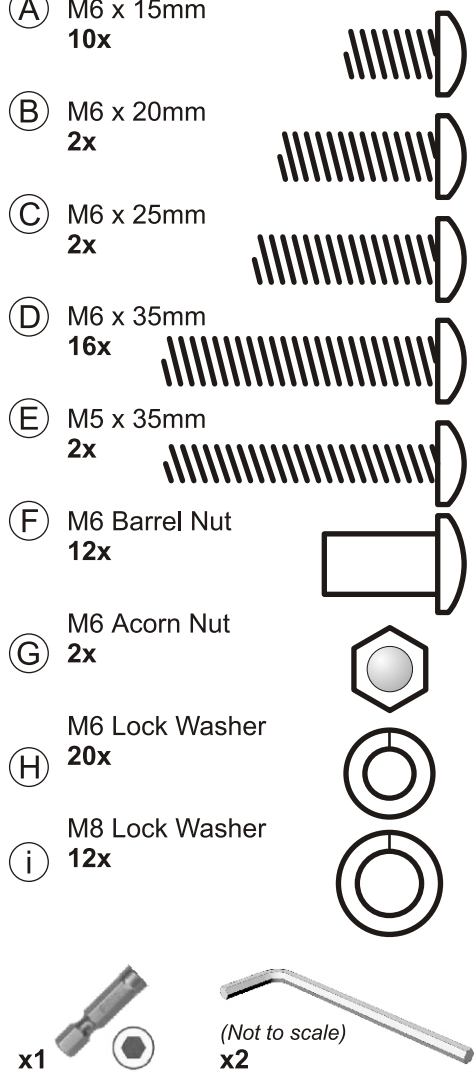
Ⓔ M5 x 35mm
2x


Ⓕ M6 Barrel Nut
12x

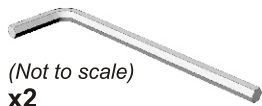
Ⓖ M6 Acorn Nut
2x

Ⓗ M6 Lock Washer
20x

Ⓙ M8 Lock Washer
12x

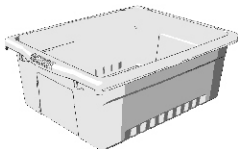


x1 

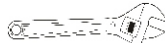
x2  (Not to scale)

Contents - Box 2

Open Tub
4x



RC107

★ **Additional tools required: Adjustable wrench** 

★ Refer to Tech Easel Upgrade Kit for RC108, RC109, and RC110 tub packs

RC107 - Version F - 10 October 2014 - Copernicus Educational Products Inc.



2 Person

Watch for These Helpful Symbols

- This symbol denotes a 2 Person Task. For safety, please ensure that there are two people working on steps displaying this symbol



- Watch for this symbol throughout the Assembly Instructions. Wherever you see it, pay close attention. The symbol denotes a step needing extra attention to ensure it is done correctly.



- The Star symbol highlights an advisory note

Before You Begin



- Layout and identify all of the included parts
- The hardware has been packed according to step
- Read the assembly instructions over once to familiarize yourself with them
- Please note that in its unassembled state, this product contains parts that can be a hazard to small children; it should be assembled by an adult.

As You Assemble the Unit

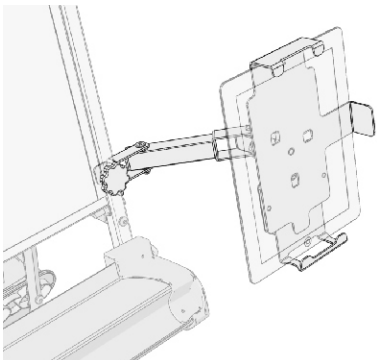


- Follow the steps in sequence
- Before beginning each step, find the part(s) that you need for that step
- Pay attention to the labeling on the parts, they are there to help direct you at certain stages
- The title of each step states what you will be doing. Review the text and the pictures as you build the unit.

After Assembly; Before Use

- Remove the plastic film from the Whiteboard before writing on it
- Clean the Whiteboard surface well with soapy water and then rinse clean

Suggested Products



iPad® Mount

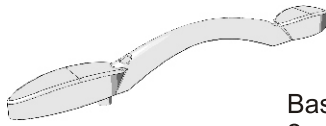
Securely attach your iPad® to this easel for group learning activities, to give students the opportunity to share their work with classmates, create guided reading centers, story board presentations, literacy activities, allow students to record themselves and even for creating class podcasts.

Works with new RC105, 106, 107 models. Included with RC108, 109, 110 models. For more information visit: www.copernicused.com or call 1-800-267-8494.

1

Actual Size:

You will need: (Not to Scale)



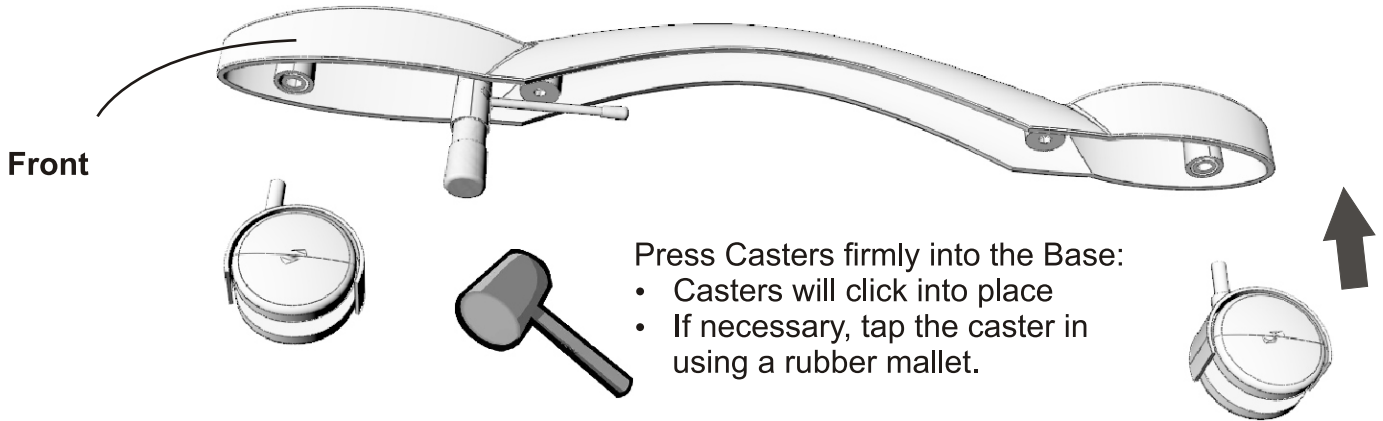
Base
2x



Caster
4x

Install Casters

You should begin the installation with the brakes in the UP Position



2

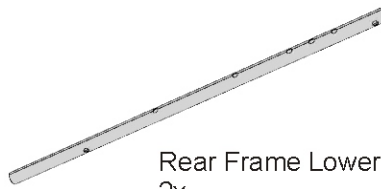
Actual Size:



You will need: (Not to Scale)

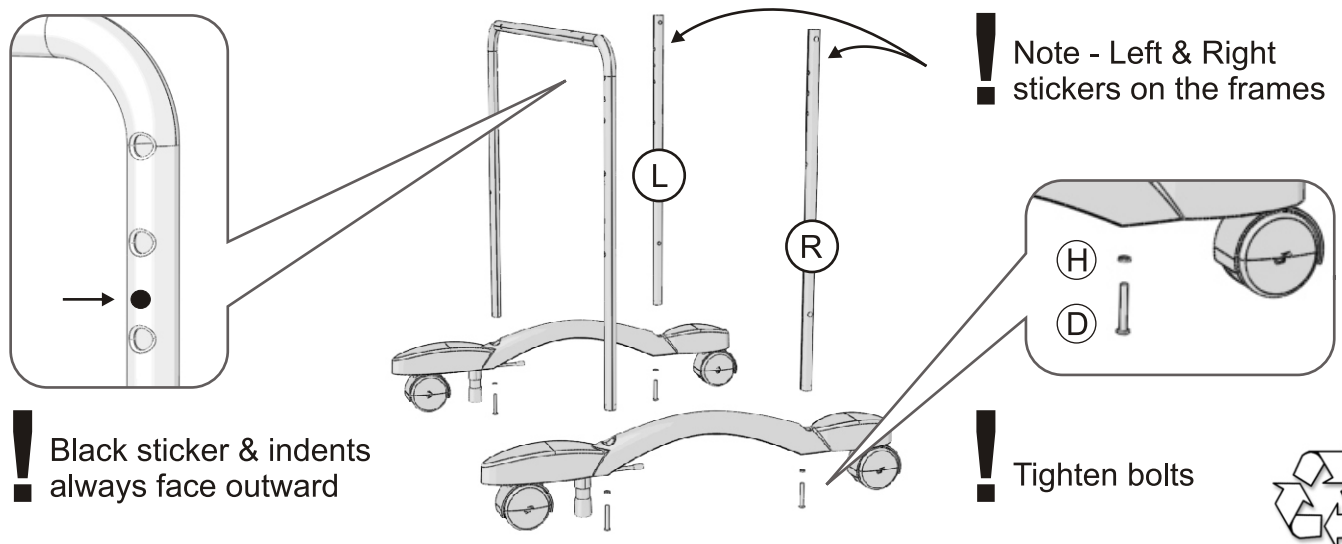


Center Frame
1x



Rear Frame Lower
2x

Install Center Frame & Rear Frame Lower



3

Actual Size:



C 2x



D 4x



H 4-6x



G 2x

You will need: (Not to Scale)



Stretcher
2x



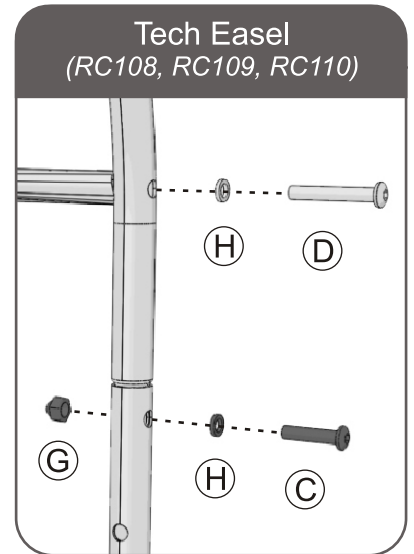
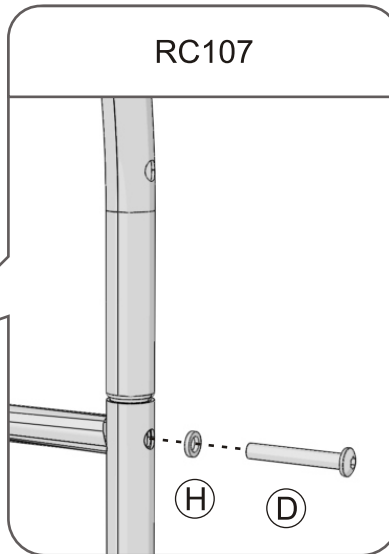
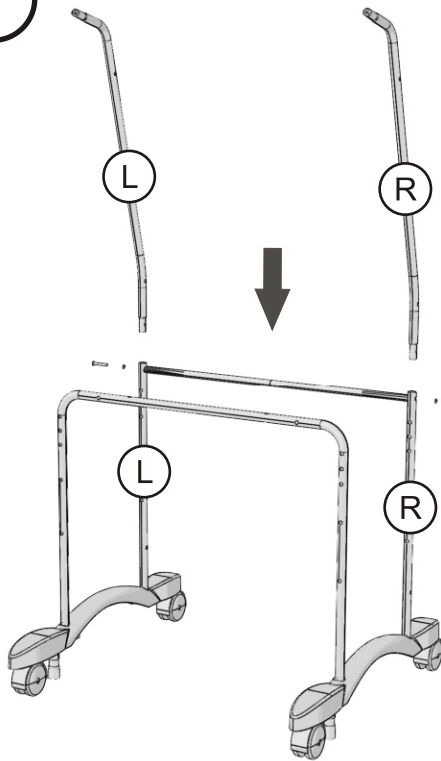
Upper Frame
1 Left, 1 Right
2x



Rear Whiteboard
Hook
2x

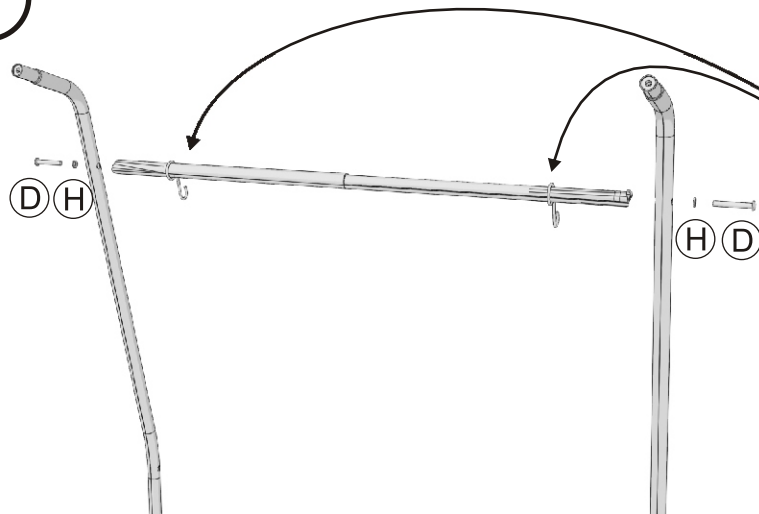
Build Rear Frame

1



Choose stretcher location based on which unit you are building.

2



! Note - install Rear Whiteboard Hook before screwing stretcher into place

Ensure hook faces back of unit!



4

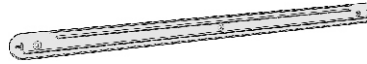
Actual Size:



You will need: (Not to Scale)

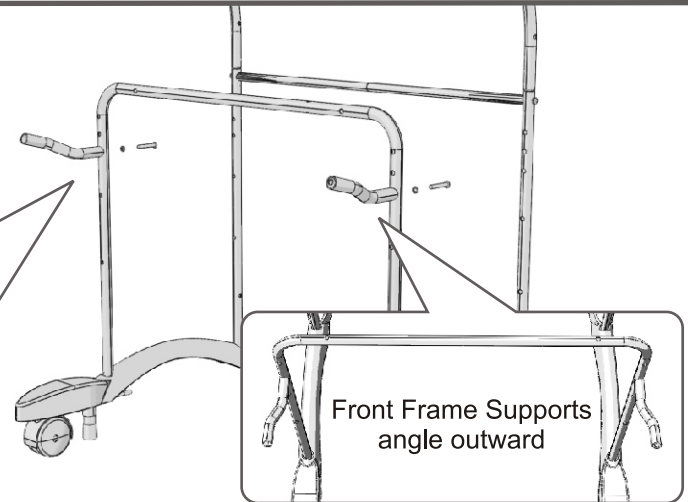
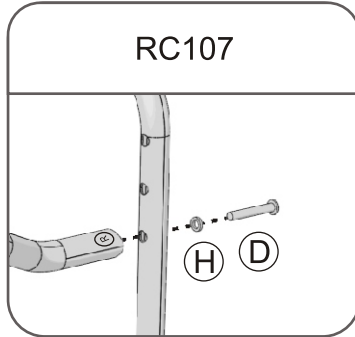
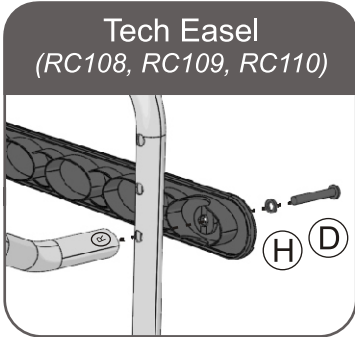


Front Frame Support
1 Left, 1 Right
2x



Tub Channel
1x

Install Front Frame Supports



Choose hardware size based on which unit you are building. Same location for both units.

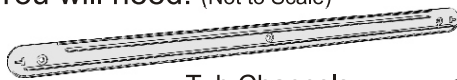
! Use labels to help you assemble correctly

5

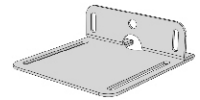
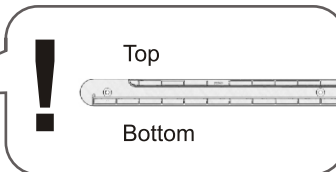
Actual Size:



You will need: (Not to Scale)

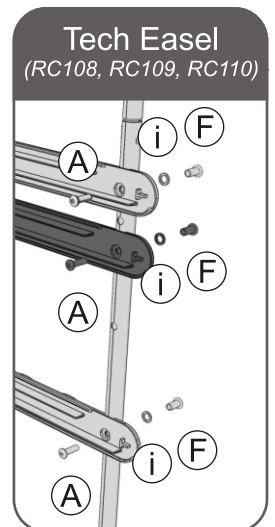
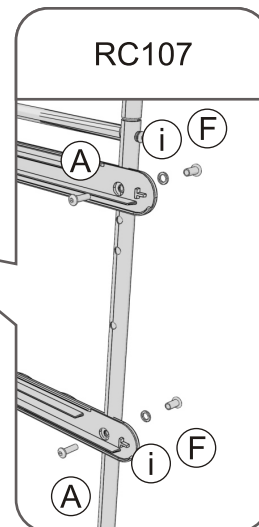
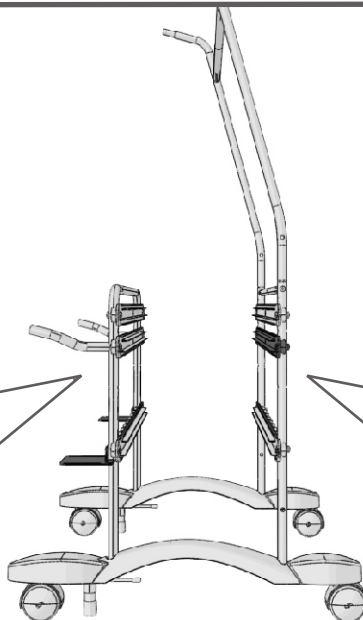
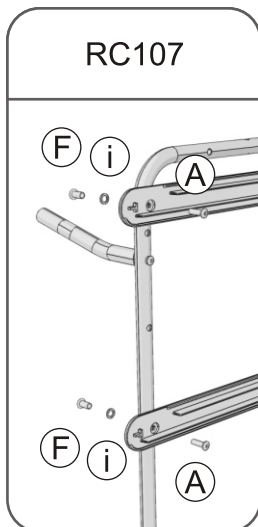
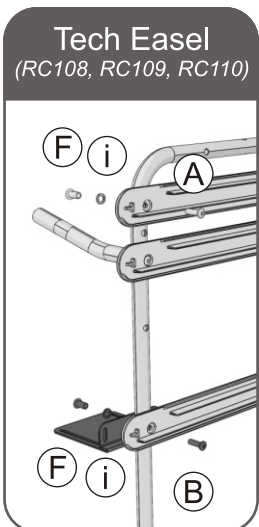


Tub Channels
RC107 x 4
RC108/109/110 x 6



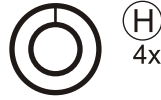
Speaker Shelf 2x

Install Tub Channels



6

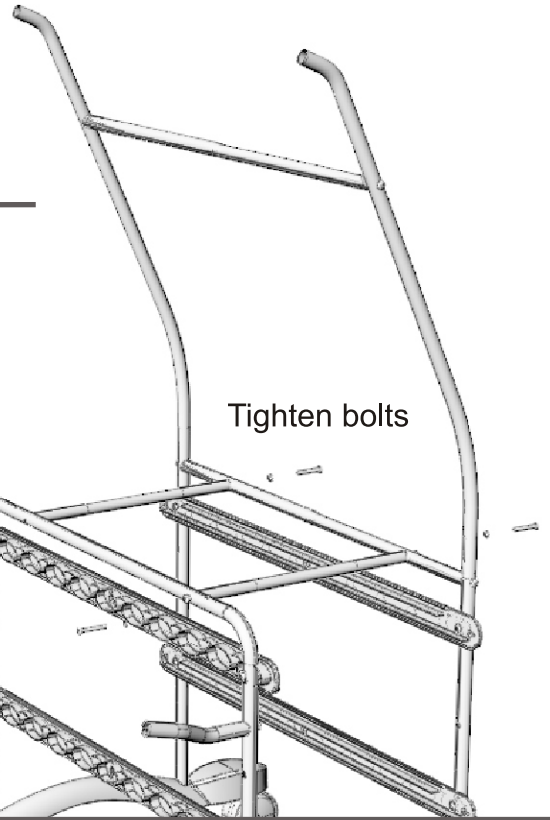
Actual Size:



You will need: (Not to Scale)



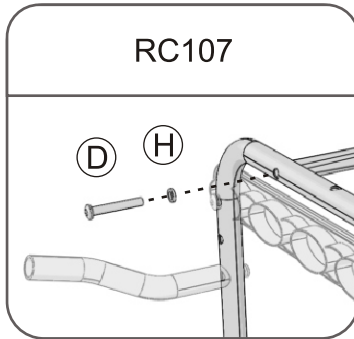
Spacer
No Thru Holes
2x



Install Spacers

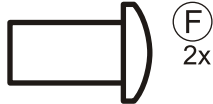
Tech Easel
(RC108, RC109, RC110)

Do NOT install
Spacers if building
a Tech Easel. Move
onto the next step.

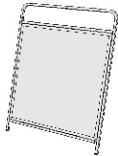


7

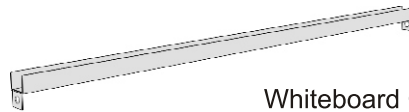
Actual Size:



You will need: (Not to Scale)



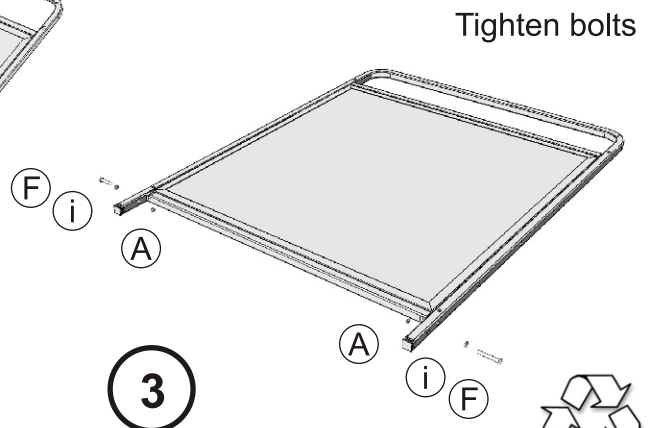
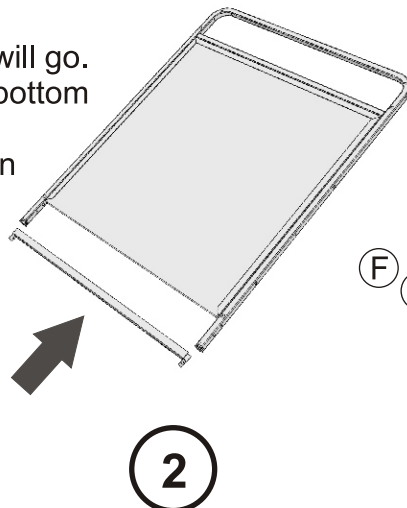
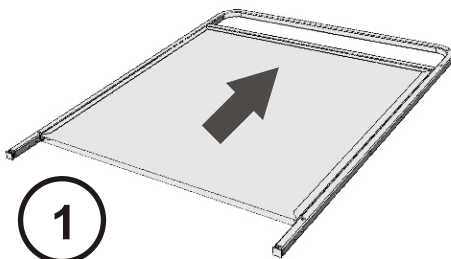
Front Frame Assembly
1x



Whiteboard Channel
1x

Build Front Frame Assembly

1. Slide whiteboard as far up as it will go.
2. Slide whiteboard channel up to bottom of whiteboard.
3. Fasten the whiteboard channel in place.

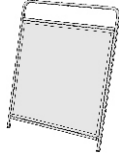


8

Actual Size:

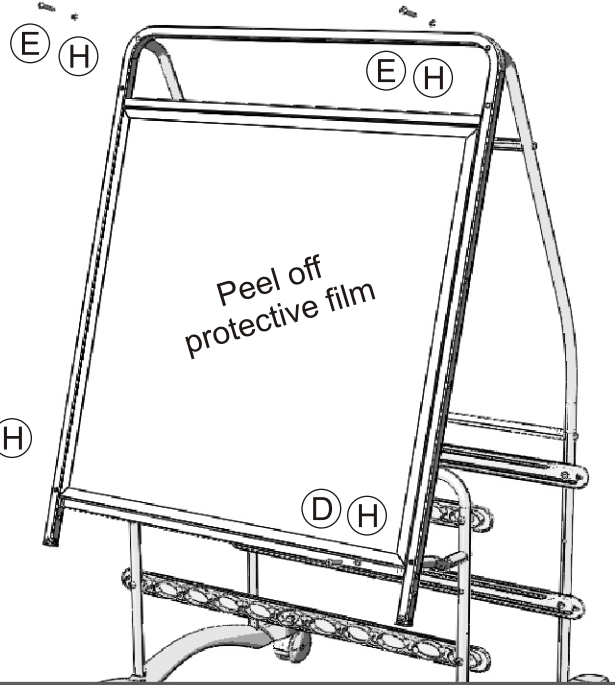


You will need: (Not to Scale)



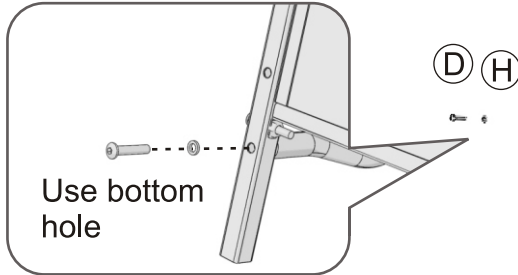
Front Frame Assembly
1x

Tighten bolts



Attach Whiteboard

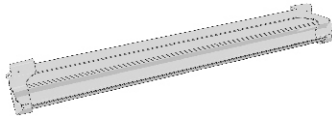
1. Put brakes in the LOCKED / DOWN position to help hold unit steady.
2. It is easiest to fasten the top first and then the bottom.



Peel off protective film

9

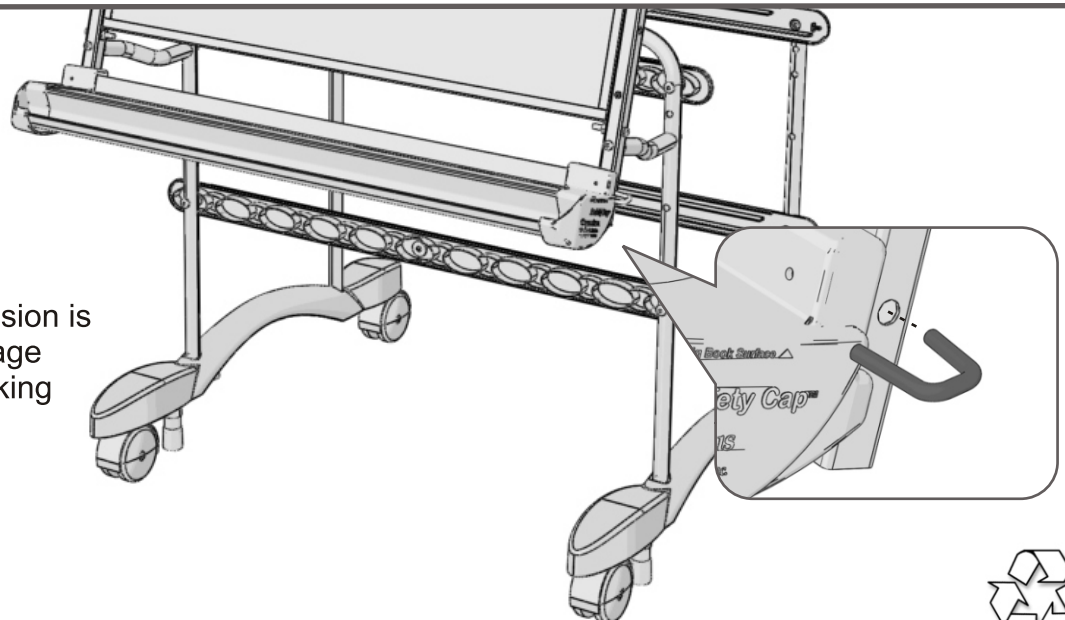
You will need: (Not to Scale)



Safety Cap Premium Bookledge
1x

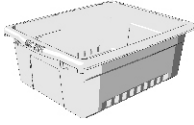
Install Book Ledge

! Note - the spring tension is designed to discourage children from unhooking the book ledge



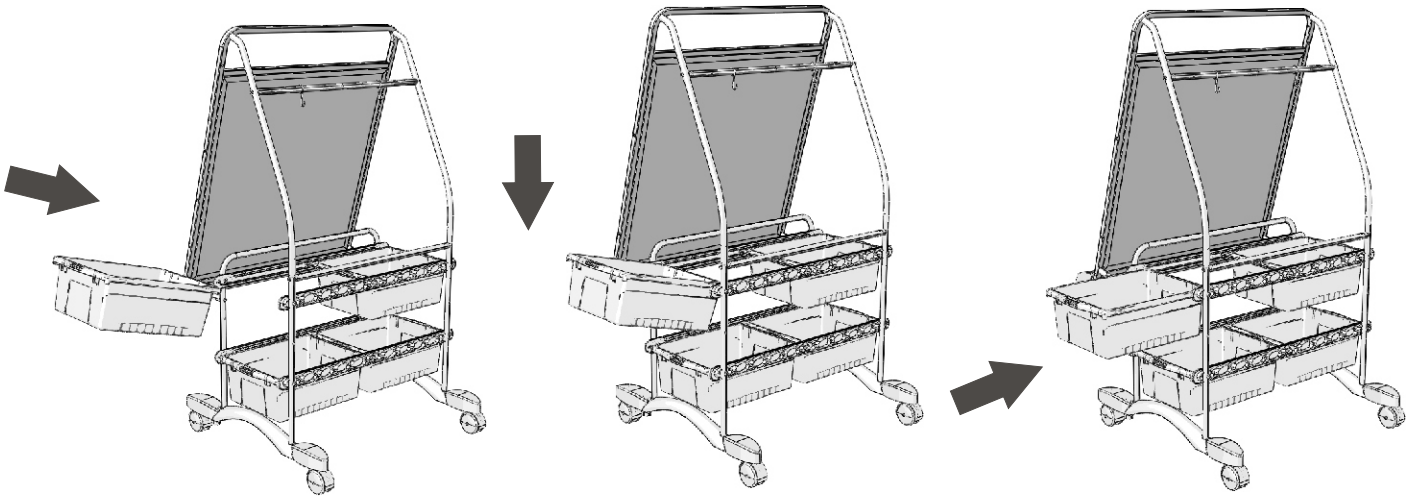
10

You will need: (Not to Scale)



Open Tub
4x

Place Tubs into Unit



11

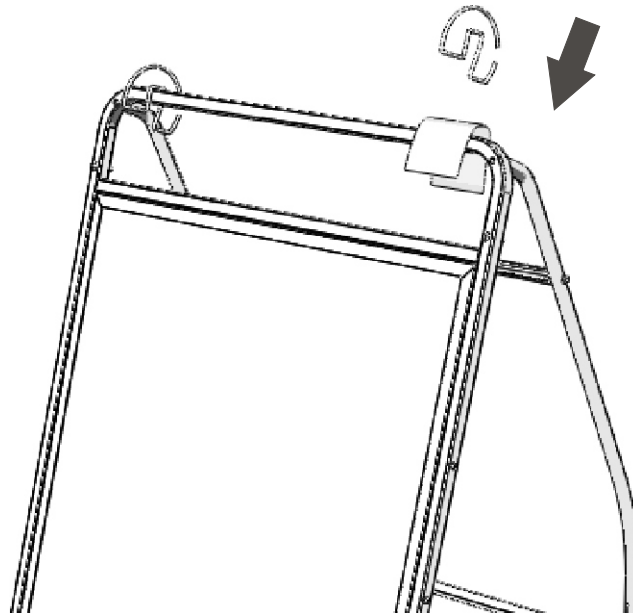
You will need: (Not to Scale)



Chart Paper Hooks
2x

Attach Chart Paper Hooks

! Place an empty hardware bag over the frame to avoid scratching the paint.



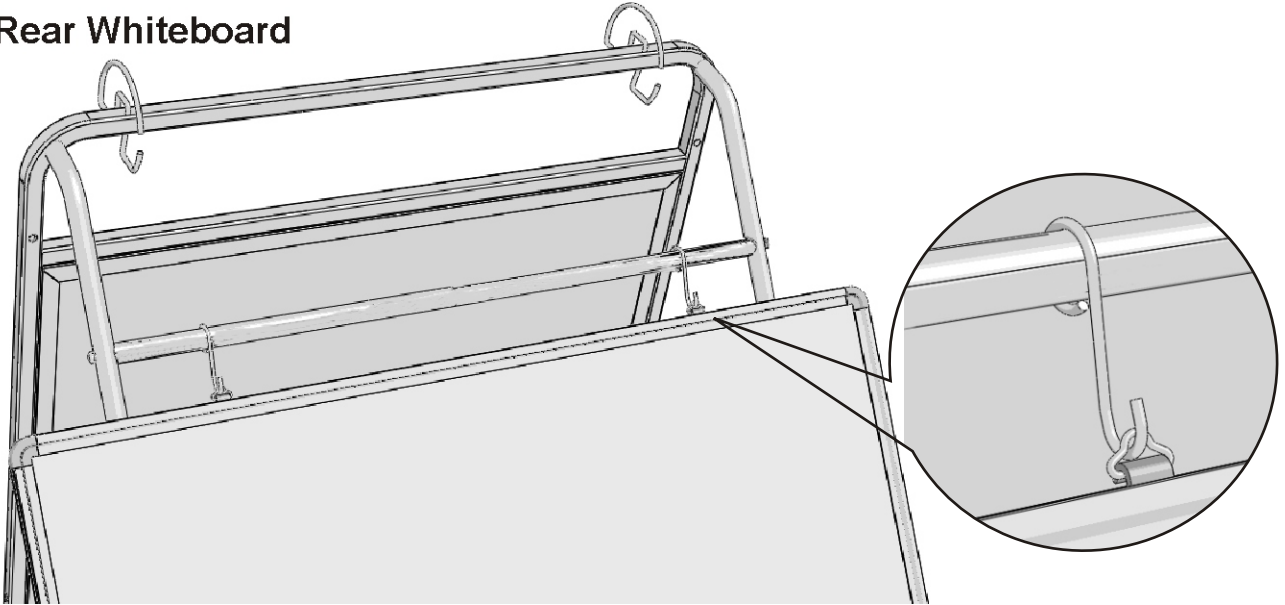
12

You will need: (Not to Scale)



Rear Whiteboard x 1

Hang Rear Whiteboard



**Congratulations! Now you can go and enjoy your
Regal™ Reading and Writing Center**





Assembly Guide RC107_2014_F

Check out our other products online at
www.copernicused.com

For assistance, please contact us:

1-800-267-8494

Email info@copernicused.com

Have your packing slip ready for reference

Dear Educator,

Thank you for purchasing one of our products.

I hope the assembly of your **Regal™ Reading and Writing Center** went well.

If you have any questions, or concerns, or ideas for how we can improve, please call us at 1-800-267-8494, where someone will be happy to help.

Enjoy using your new product, and happy teaching,

Jim Phillips
President

Touchboards

205 Westwood Ave, Long Branch, NJ 07740
Phone: 866-94 BOARDS (26273) / (732)-222-1511
Fax: (732)-222-7088 | E-mail: sales@touchboards.com

Quality schools are the result of quality teachers going above and beyond the call of duty.

VICKI CARUANA

In everyone's life at some time our inner fire goes out. It is then burst into flame by an encounter with another human being. We should all be thankful for those people who rekindle the inner spirit.

ALBERT SCHWEITZER

My idea of education is to unsettle the minds of the young and inflame their intellects.

ROBERT MAYNARD
HUTCHINS

Nothing has a better effect upon children than praise.

SIR PHILLIP SIDNEY

