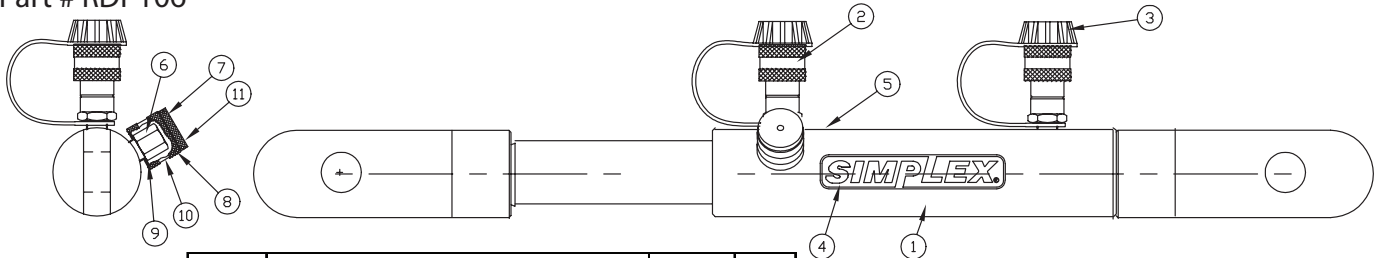




RDP106 PULLPACK CYLINDER REPAIR PART SHEET

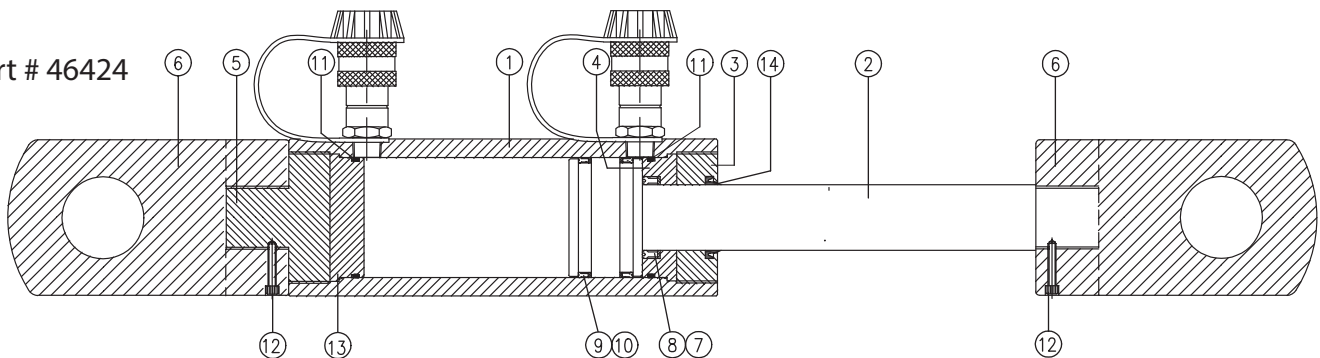
PART SHEET # : TD-169
REV. A
02/16

Part # RDP106



| ITEM # | DESCRIPTION | PART # | QTY. |
|--------|-------------------------------|--------|------|
| 1 | PULLPACK CYLINDER ASM, 10 TON | 46424 | 1 |
| 2 | FEMALE COUPLER 3050-3 | 40858 | 2 |
| 3 | DUST CAP | CR215 | 2 |
| 4 | TK SIMPLEX LOGO | 88165 | 1 |
| 5 | WARNING DECAL | 80827 | 1 |
| 6 | RELIEF VALVE 10,500 PSI | 84027 | 1 |
| 7 | DUST PLUG | 88822 | 1 |
| 8 | SLEEVE | 88823 | 1 |
| 9 | WASHER | 88824 | 1 |
| 10 | DECAL-EXT. REL. VLV. SLEEVE | 88825 | 1 |
| 11 | DECAL-EXT. REL. VLV. DUST CAP | 88826 | 1 |

Part # 46424



| ITEM # | DESCRIPTION | PART # | QTY. |
|--------|------------------------------|---------------|------|
| 1 | CYLINDER | Not Available | 1 |
| 2 | PISTON ROD | 6066330 | 1 |
| 3 | GUIDE NUT | 6066331 | 1 |
| 4 | GUIDE BUSH | 6066332 | 1 |
| 5 | REAR NUT | 6066333 | 1 |
| 6 | CLEVIS | 6066334 | 2 |
| 7 | ROD SEAL | * | 1 |
| 8 | BACK UP RING | * | 1 |
| 9 | PISTON SEAL | * | 2 |
| 10 | BACK UP RING | * | 2 |
| 11 | O RING W BACK UP | * | 2 |
| 12 | CAP SCREW | 6066340 | 2 |
| 13 | REAR RING | 6066341 | 1 |
| 14 | WIPER SEAL | * | 1 |
| | REPAIR KIT (* = COMPONENTS) | 54478 | 1 |