

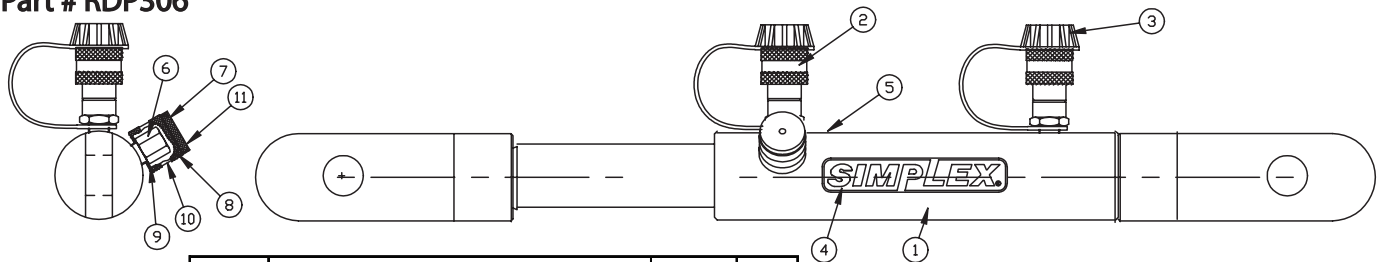


WWW.TKSIMPLEX.COM

TECHNICAL REPAIR PART SHEET
RDP306
RDP-Series Cylinder

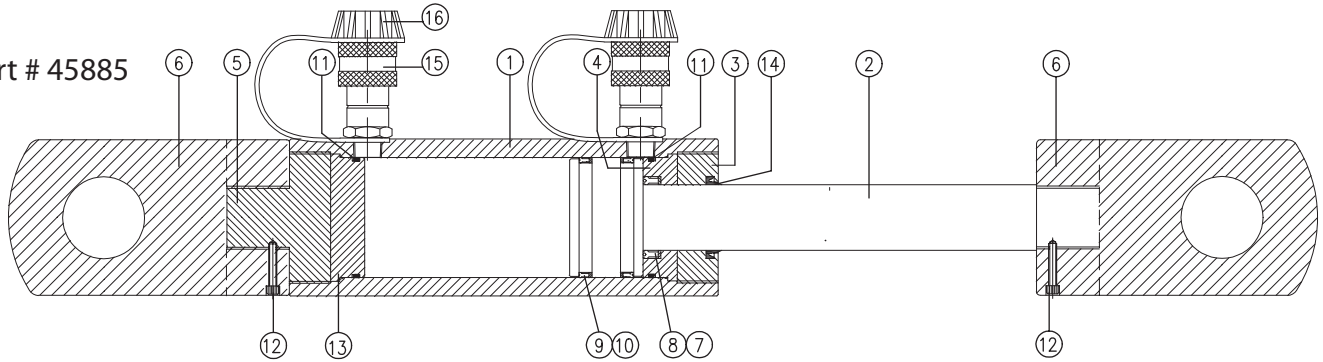
PART SHEET NUMBER	REVISION NUMBER	DATE CODE RANGE	DOCUMENT DATE
54465	A	N/A	02/13

Part # RDP306



ITEM #	DESCRIPTION	PART #	QTY.
01	PULLPACK CYLINDER ASM, 30 TON	45885	1.00
02	FEMALE COUPLER 3050-3	40858	2.00
03	DUST CAP	CR215	2.00
04	TK SIMPLEX LOGO	89967	1.00
05	WARNING DECAL	80827	1.00
06	RELIEF VALVE 10,500 PSI	84027	1.00
07	DUST PLUG	88822	1.00
08	SLEEVE	88823	1.00
09	WASHER	88824	1.00
10	DECAL-EXT. REL. VLV. SLEEVE	88825	1.00
11	DECAL-EXT. REL. VLV. DUST CAP	88826	1.00

Part # 45885



ITEM #	DESCRIPTION	PART #	QTY.
1	CYLINDER	N/A	1
2	PISTON ROD	6066327	1
3	GUIDE NUT	6066326	1
4	GUIDE BUSH	6066325	1
5	REAR NUT	6066324	1
6	CLEVIS	6066323	2
7	ROD SEAL	*	1
8	BACK-UP RING	*	1
9	PISTON SEAL	*	2
10	BACK-UP RING	*	2
11	O-RING W BACK UP	*	2
12	CAP SCREW	6066317	2
13	REAR RING	6066316	1
14	WIPER SEAL	*	1
15	QUICK CON COUPLER	40858	2
16	DUST CAP	CR215	2
	REPAIR KIT (*=COMPONENTS)	54466	1



To maintain your warranty:
 Have your products inspected and repaired by an SIMPLEX Authorized Service Center. Visit
www.tksimplex.com to locate the nearest one.