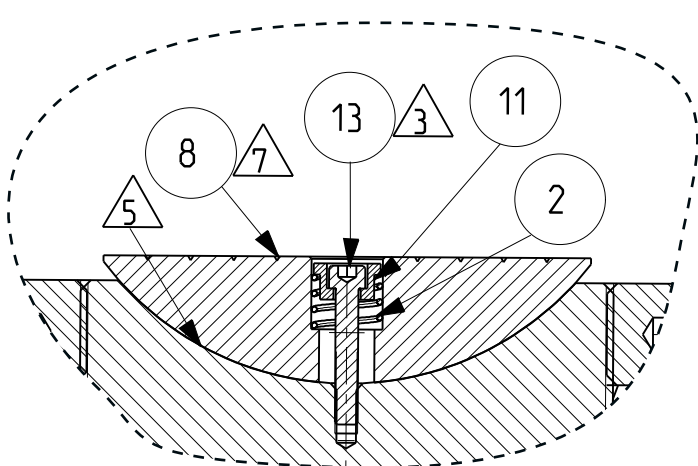
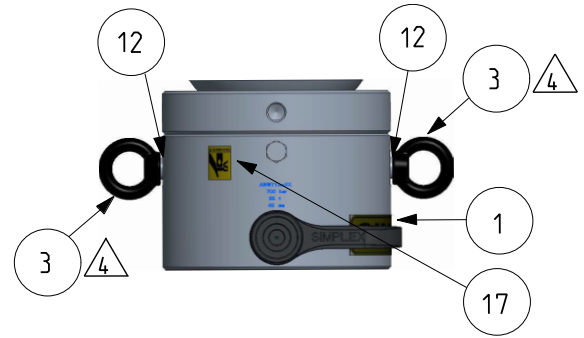
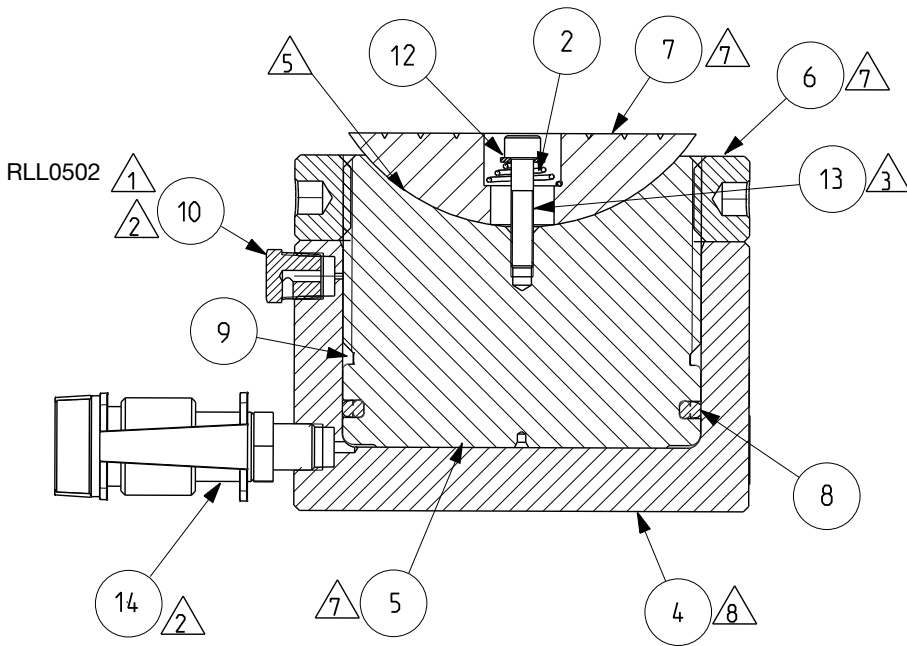




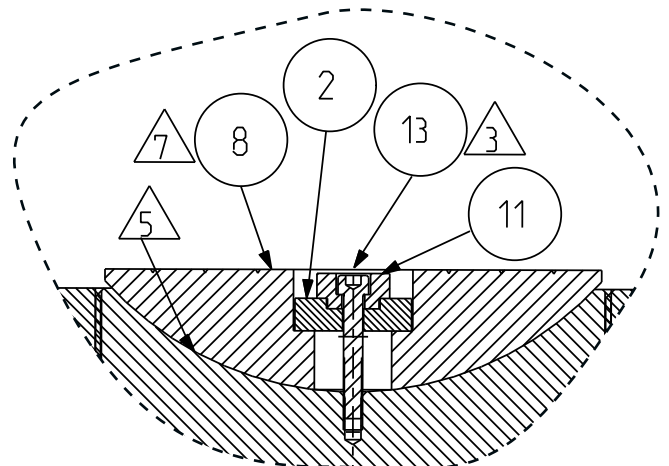
# Repair Parts Sheet

## RLL CYLINDERS

Parts Sheet Number	Revision	Revision Date	Product version
RRL	Rev. C	07/2020	A



Detail of RLL2502 and RLL3002



Detail of RLL4002 and RLL5002

**NOTES Δ:**

- 1- Torque to 23-28 Ft-Lbs [32-38 Nm]
- 2- Torque to 40-60 Ft-Lbs [55-81 Nm]
- 3- Apply Loctite 242 or 243
- 4- Torque to 80-100 In-Lbs [9-11 Nm]
- 5- Apply molykote grease CU7439PLUS
- 7- Apply oil wax before assembly
- 8- Apply oil wax after assembly

- ▲ = Indicated parts only available in Seal Kit RLL0502K
- = Indicated parts only available in Seal Kit RLL1002K
- = Indicated parts only available in Seal Kit RLL1502K
- ▼ = Indicated parts only available in Seal Kit RLL2502K
- ◆ = Indicated parts only available in Seal Kit RLL3002K
- = Indicated parts only available in Seal Kit RLL4002K
- ★ = Indicated parts only available in Seal Kit RLL5002K

Nr.	DESCRIPTION	QTY	RLL502	RLL1002	RLL1502	RLL2502	RLL3002	RLL4002	RLL5002
1	Simplex Decal	1	▲	■	●	▼	◆	●	★
2	Spring	1	13C0012	13C0016	13C0016	13D0044	13D0044	-	-
	Rubber Block	1	-	-	-	-	-	57E0020	57E0020
3	Eyebolt Rotating	1	24D0210	-	-	-	-	-	-
	Eyebolt Rotating	2	-	24D0210	24D0210	24D0210	24D0210	24D0210	24D0210
4	Base	1	52L0439	52L0452	52L0438	52L0441	52L0450	52L0446	52L0453
5	Piston	1	53M0429	53M0442	53M0428	53M0431	53M0440	53M0436	53M0443
6	Nut	1	55L0259	55L0260	55L0258	55L0261	55L0359	55L0266	55L0360
7	Tilting Saddle	1	5600214	56O0215	5600213	5600216	5600221	5600220	5600219
8	Piston Seal	1	▲	■	●	▼	◆	●	★
9	Strip.Red	1	▲	■	●	▼	◆	●	★
10	Plug	1	BSS6348D	BSS6349D	BSS6349D	BSS6349D	BSS6349D	BSS6349D	BSS6349D
11	Screw Holder	1	-	-	-	15B0039	15B0039	15B0061	15B0061
12	Washer-Flat	1	-	-	CAE1080108-1A	-	-	-	-
		2	CAE1080108-1A	-	-	-	-	-	-
		3	-	CAE1080108-1A	-	-	-	-	-
13	Screw-SHCS. HEX	1	CBA827028-1A	CBA829028-1A	CBA835028-1A	CBA1033028-1A	CBA1037028-1A	CBA1039028-1A	CBA1039028-1A
14	Female Coupler	1	DB2771034	DB2771034	DB2771034	DB2771034	DB2771034	DB2771034	DB2771034
15	Plunger Caution Warning Decal	1	▲	■	●	▼	◆	●	★
16	Caution Decal	1	▲	■	●	▼	◆	●	★
17	Enerpac Decal	1	▲	■	●	▼	◆	●	★
18	Characteristics Decal	1	▲	■	●	▼	◆	●	★