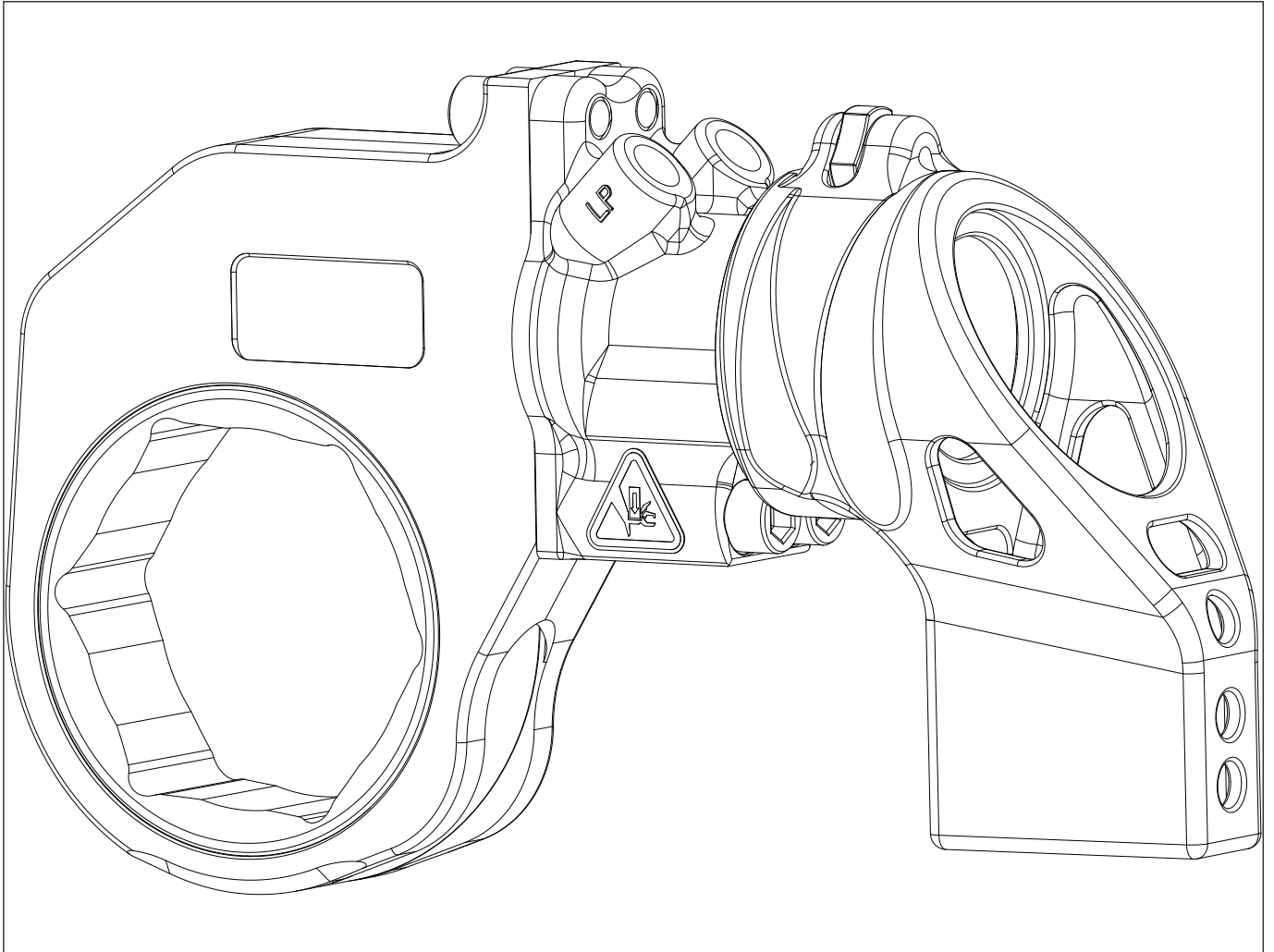


To Protect Your Warranty, Use Only ENERPAC Hydraulic Oil.

Enerpac recommends that all kit components be installed to insure optimum performance of the repaired product.



Contents:	Pages
Figure 1 - Table 1, RSL Torque Wrench Drive Assembly	2-5
Figure 2 - Table 2a, RSL Hexagon Cassette Assembly	6-7
Table 2b, RSL Hex Insert Part Numbers.	8-11
Figure 3 - Table 3, RSL Square Drive Cassette Assembly	12-13
Figure 4 - Table 4, RSL Reaction Arm Assembly	14-15
Figure 5 - Table 5, RSL Torque Wrench Drive Seal Kit	16-17
Table 6, Spare Kits, Tool Accessories & Options	18-20

For other languages go to www.enerpac.com.

Weitere Sprachen finden Sie unter www.enerpac.com.

Para otros idiomas visite www.enerpac.com.

Muunkieliset versiot ovat osoitteessa www.enerpac.com.

Pour toutes les autres langues, rendez-vous sur www.enerpac.com.

Per altre lingue visitate il sito www.enerpac.com.

その他の言語はwww.enerpac.comでご覧いただけます。

이 지침 시트의 다른 언어 버전은 www.enerpac.com.

Ga voor de overige talen naar www.enerpac.com.

For alle andre språk henviser vi til www.enerpac.com.

Inne wersje językowe można znaleźć na stronie www.enerpac.com.

Para outros idiomas consulte www.enerpac.com.

Информацию на других языках вы найдете на сайте www.enerpac.com.

För andra språk, besök www.enerpac.com.

如需其他语言, 请前往 www.enerpac.com.

Note: Refer to Instruction Sheet for:

- Inspection, lubrication and maintenance instructions.
- Torque specifications for selected fasteners.

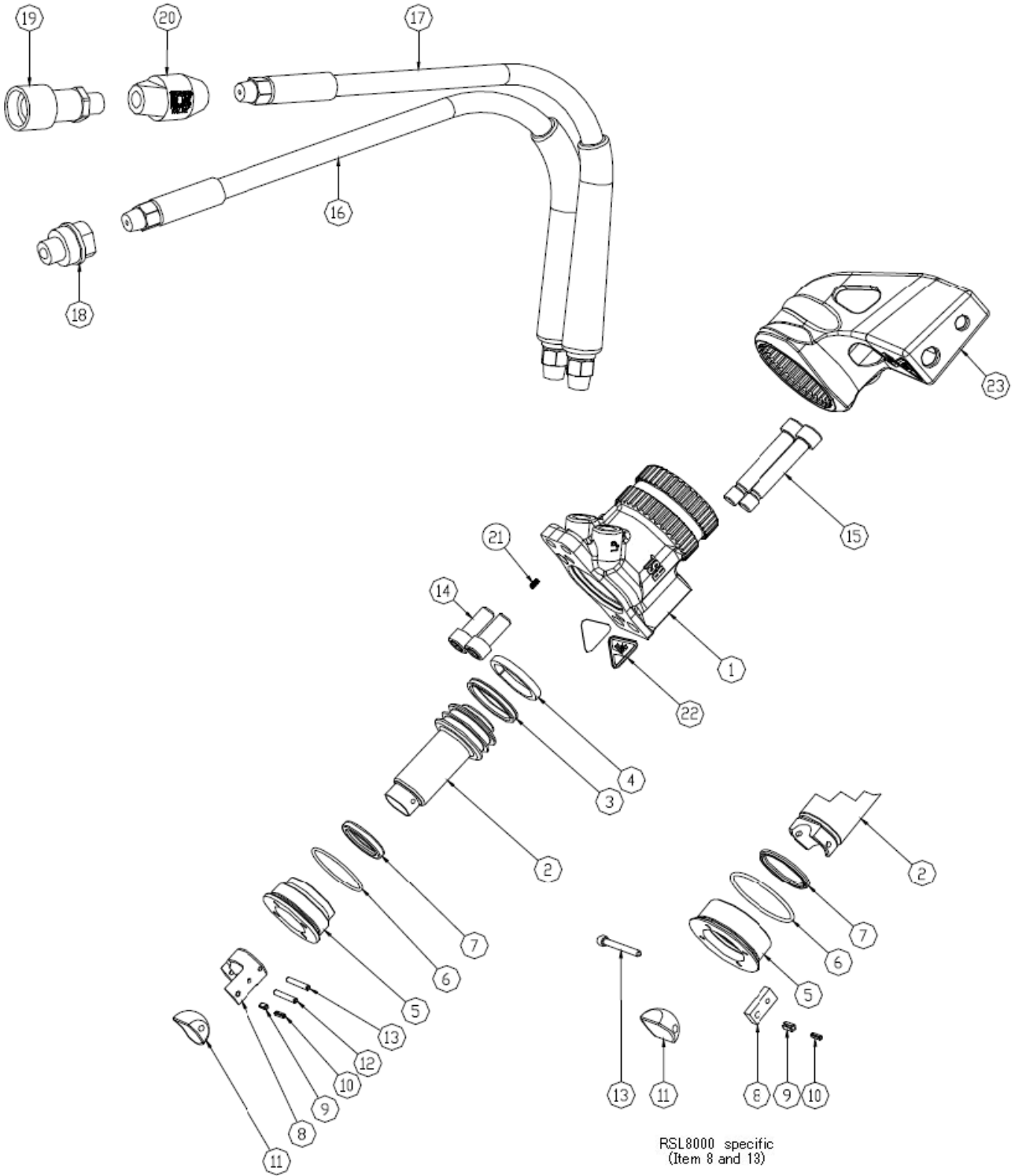


Figure 1, RSL Torque Wrench Drive Assembly

Table 1 - Repair Parts List for Figure 1

Item	Description	Quantity	RSL Torque Wrench Drive Models and Part Numbers		
			RSL1500	RSL3000	RSL5000
1	Housing, Power Head	1	not available	not available	not available
2	Piston	1	005AB0001577	005AB0026529	005AB0001579
3	Piston Seal	1	▲	▲	▲
4	Piston Wear Ring	1	▲	▲	▲
5	Front Cap	1	▲	▲	▲
6	O-Ring (Front Cap)	1	▲	▲	▲
7	Gland Seal	1	▲	▲	▲
8	Retractor	1	○	○	○
9	Pin, Retractor	1	○	○	○
10	Pin, (Inner)	1	-	-	○
11	Block, Bronze	1	○	○	○
12	Pin, Roll	1	○	○	○
13	Pin, Roll (or screw)	1	-	○	○
14	Short Bolt	2	■	■	■
15	Long Bolt	2	■	■	■
16	Hose, Retract	1	D0113C0046AF	D0113C0046AG	D0113C0046AG
17	Hose, Extend	1	D0113C0046AF	D0113C0046AG	D0113C0046AG
18	QD, Male	1	002NA0026515	002NA0026515	002NA0026515
19	QD, Female	1	002NB0026516	002NB0026516	002NB0026516
20	Relief Valve	1	002KY0028178	002KY0028178	002KY0028178
21	Plug	1	002RJ0028291	002RJ0028291	002RJ0028291
22	Sign, Safety	2	005AP0027094	005AP0027094	005AP0027094
23	Reaction Arm Assembly	1	RRA1500	RRA3000	RRA5000
24 (a)	End Cap	1	-	-	-
25 (a)	Seal, O-Ring, End Cap	1	-	-	-
26 (a)	Seal, O-Ring, with back-up ring, End Cap	1	-	-	-
27 (a)	End Cap Bolts	22	-	-	-
28 (a)	Gland Wear Ring	1	-	-	-

Notes:

(a) - Not shown.

(b) - Use 003LB0046058 Oil at Assembly.

(c) - Common models and part numbers shown. To order replacement parts specify: Tool Style, Model Number, Serial Number, Date Code, Description, and Part Number.

○ = Indicates items included and available only as part of Retractor Kit:

RSL1500RK, RSL3000RK, RSL5000RK, RSL8000RK, RSL11000RK, RSL190000RK, RSL280000RK

■ = Indicates items included and available only as part of Bolt Kit:

RSL1500BK, RSL3000BK, RSL5000BK, RSL8000BK, RSL11000BK, RSL19000BK, RSL28000BK

▲ = Indicates items included and available only as part of Front Cap +Seal Kit:

RSL1500FSK, RSL3000FSK, RSL5000FSK, RSL8000FSK, RSL11000FSK, RSL19000FSK, RSL28000FSK

Table 1 - Repair Parts List for Figure 1 [continued]

Item	Description	Quantity	RSL Torque Wrench Drive Models and Part Numbers [continued]		
			RSL8000	RSL11000	RSL19000
1	Housing, Power Head	1	not available	not available	not available
2	Piston	1	005AB0001580	005AB0001581	005AB0001582
3	Piston Seal	1	▲	▲	▲
4	Piston Wear Ring	1	▲	▲	▲
5	Front Cap	1	▲	▲	▲
6	O-Ring (Front Cap)	1	▲	▲	▲
7	Gland Seal	1	▲	▲	▲
8	Retractor	1	○	○	○
9	Pin, Retractor	1	○	○	○
10	Pin, (Inner)	1	○	○	○
11	Block, Bronze	1	○	○	○
12	Pin, Roll	1	-	○	○
13	Pin, Roll (or screw) RSL11000 - Pin in pin	-	○	○	○
14	Short Bolt	2	■	■	■
15	Long Bolt	2	■	■	■
16	Hose, Retract	1	D0113C0046AG	D0113C0046AG	D0113C0046AG
17	Hose, Extend	1	D0113C0046AG	D0113C0046AG	D0113C0046AG
18	QD, Male	1	002NA0026515	002NA0026515	002NA0026515
19	QD, Female	1	002NB0026516	002NB0026516	002NB0026516
20	Relief Valve	1	002KY0028178	002KY0028178	002KY0028178
21	Plug	1	002RJ0028291	002RJ0028291	002RJ0028358
22	Sign, Safety	2	005AP0027094	005AP0027094	005AP0027094
23	Reaction Arm Assembly	1	RRA8000	RRA11000	RRA19000
24 (a)	End Cap	1	-	-	-
25 (a)	Seal, O-Ring, End Cap	1	-	-	-
26 (a)	Seal, O-Ring, with back-up ring, End Cap	1	-	-	-
27 (a)	End Cap Bolts	22	-	-	-
28 (a)	Gland Wear Ring	1	-	-	-

Notes:

(a) - Not shown.

(b) - Use 003LB0046058 Oil at Assembly.

(c) - Common models and part numbers shown. To order replacement parts specify: Tool Style, Model Number, Serial Number, Date Code, Description, and Part Number.

○ = Indicates items included and available only as part of Retractor Kit:

RSL1500RK, RSL3000RK, RSL5000RK, RSL8000RK, RSL11000RK, RSL19000RK, RSL28000RK

■ = Indicates items included and available only as part of Bolt Kit:

RSL1500BK, RSL3000BK, RSL5000BK, RSL8000BK, RSL11000BK, RSL19000BK, RSL28000BK

▲ = Indicates items included and available only as part of Front Cap +Seal Kit:

RSL1500FSK, RSL3000FSK, RSL5000FSK, RSL8000FSK, RSL11000FSK, RSL19000FSK, RSL28000FSK

Table 1 - Repair Parts List for Figure 1 [continued]

Item	Description	Quantity	RSL Torque Wrench Drive Models and Part Numbers [continued]
			RSL28000
1	Housing, Power Head	1	not available
2	Piston	1	005AB0001583
3	Piston Seal	1	▲
4	Piston Wear Ring	1	▲
5	Front Cap	1	-
6	O-Ring (Front Cap)	1	-
7	Gland Seal	1	▲
8	Retractor	1	○
9	Pin, Retractor	1	○
10	Pin, (Inner)	1	○
11	Block, Bronze	1	○
12	Pin, Roll	1	○
13	Pin, Roll (or screw) RSL11000 - Pin in pin	-	○
14	Short Bolt	2	■
15	Long Bolt	2	■
16	Hose, Retract	1	D0113C0046AG
17	Hose, Extend	1	D0113C0046AG
18	QD, Male	1	002NA0026515
19	QD, Female	1	002NB0026516
20	Relief Valve	1	002KY0028178
21	Plug	1	-
22	Sign, Safety	2	005AP0027094
23	Reaction Arm Assembly	1	RRA28000
24 (a)	End Cap	1	▲
25 (a)	Seal, O-Ring, End Cap	1	▲
26 (a)	Seal, O-Ring, with back-up ring, End Cap	1	▲
27 (a)	End Cap Bolts	22	▲
28 (a)	Gland Wear Ring	1	▲

Notes:

(a) - Not shown.

(b) - Use 003LB0046058 Oil at Assembly.

(c) - Common models and part numbers shown. To order replacement parts specify: Tool Style, Model Number, Serial Number, Date Code, Description, and Part Number.

○ = Indicates items included and available only as part of Retractor Kit:

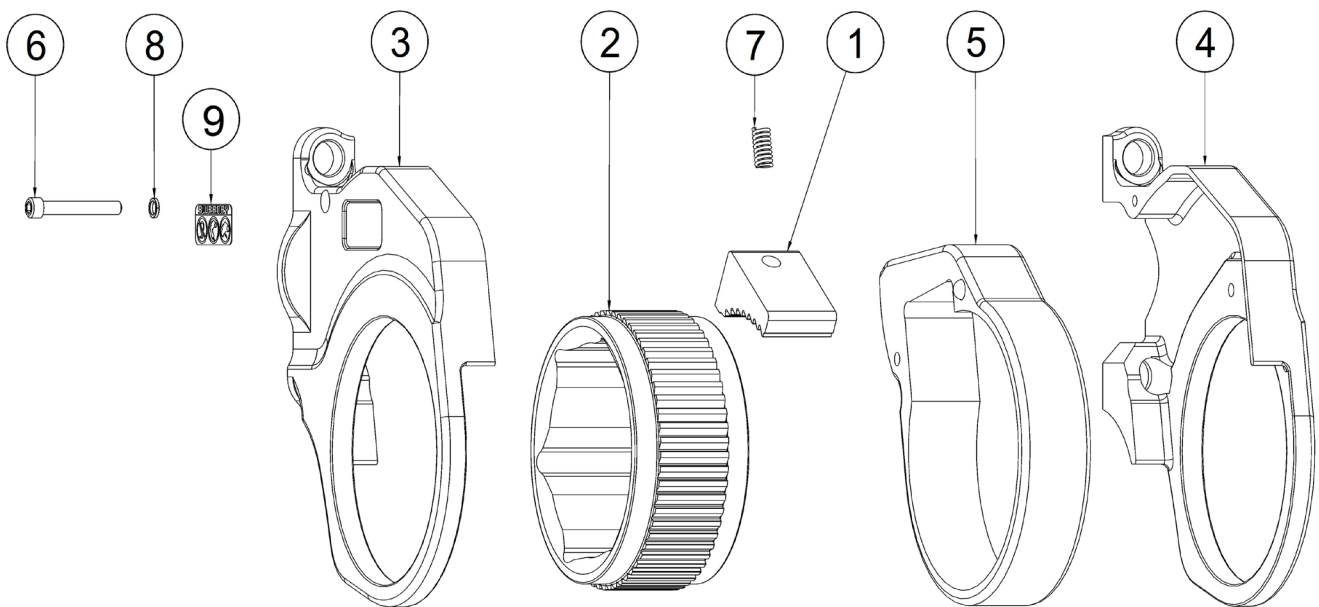
RSL1500RK, RSL3000RK, RSL5000RK, RSL8000RK, RSL11000RK, RSL190000RK, RSL280000RK

■ = Indicates items included and available only as part of Bolt Kit:

RSL1500BK, RSL3000BK, RSL5000BK, RSL8000BK, RSL11000BK, RSL19000BK, RSL28000BK

▲ = Indicates items included and available only as part of Front Cap +Seal Kit:

RSL1500FSK, RSL3000FSK, RSL5000FSK, RSL8000FSK, RSL11000FSK, RSL19000FSK, RSL28000FSK



Note: Refer to Instruction Sheet for:

- Inspection, lubrication and maintenance instructions.
- Torque specifications for selected fasteners.

Figure 2, RSL Hexagon Cassette Assembly

Table 2a - Repair Parts List for Figure 2

Item	Description	Quantity	RSL Hexagon Cassettes and Part Numbers			
			RLP1500	RLP3000	RLP5000	RLP8000
1	Pawl	1	◆	◆	◆	◆
2	Insert, Hex	1	see table 2b, pages 8-11			
3	Housing, Right Side	1	↷	↷	↷	↷
4	Housing, Left Side	1	↷	↷	↷	↷
5	Ass'y, Pawl Driver	1	◆	◆	◆	◆
6	Screw, Socket Hd Cap	1	↷	↷	↷	↷
7	Spring	1 (2)	◆	◆	◆	◆
8	Washer	1	↷	↷	↷	↷
9	Plate, Safety	1	↷	↷	↷	↷
Item	Description	Quantity	RLP11000	RLP19000	RLP28000	
1	Pawl	1	◆	◆	◆	
2	Insert, Hex	1	see table 2b, pages 8-11			
3	Housing, Right Side	1	↷	↷	↷	
4	Housing, Left Side	1	↷	↷	↷	
5	Ass'y, Pawl Driver	1	◆	◆	◆	
6	Screw, Socket Hd Cap	1	↷	↷	↷	
7	Spring	1 (2)	◆	◆	◆	
8	Washer	1	↷	↷	↷	
9	Plate, Safety	1	↷	↷	↷	

Notes:

◆ = Indicates items included and available only as part of Pawl Kit (HEX):
 RSL1xxxHPK, RSL3xxxHPK, RSL5xxxHPK, RSL8xxxHPK, RSL11xxxHPK, RSL19xxxHPK, RSL28xxxHPK

↷ = Indicates items included and available only as part of Housing Kit (HEX):
 RSL1xxxHHK, RSL3xxxHHK, RSL5xxxHHK, RSL8xxxHHK, RSL11xxxHHK, RSL19xxxHHK, RSL28xxxHHK

Table 2b - RSL Hex Insert Part Numbers [continued]

Cassette	Inch	mm	RSL1500		Cassette	Inch	mm	RSL3000	
			Insert, Hex#	Description				Insert, Hex#	Description
RLP1014	7/8	22	RLP1500105014	RSL1500 Ratchet 7/8"/22 mm A/F	RLP3104	1-1/4	32	RLP3000105104	RLP3000 Ratchet 1 1/4"/32 mm A/F
RLP1101	1-1/16	27	RLP1500105101	RSL1500 Ratchet 1 1/16"/27 mm A/F	RLP3105	1-5/16	33	RLP3000105105	RLP3000 Ratchet 1 5/16"/33 mm A/F
RLP1102	1-1/8	28	RLP1500105102	RSL1500 Ratchet 1 1/8"/28 mm A/F	RLP3106	1-3/8	35	RLP3000105106	RLP3000 Ratchet 1 3/8"/35 mm A/F
RLP1103	1-3/16	30	RLP1500105103	RSL1500 Ratchet 1 3/16"/30 mm A/F	RLP3107	1-7/16	36	RLP3000105107	RLP3000 Ratchet 1 7/16"/36 mm A/F
RLP1104	1-1/4	32	RLP1500105104	RSL1500 Ratchet 1 1/4"/32 mm A/F	RLP3108	1-1/2	38	RLP3000105108	RLP3000 Ratchet 1 1/2"/38 mm A/F
RLP1104SL	1-1/4	32	RLP1500105104SL	RSL1500 SL Ratchet 1 1/4"/32 mm A/F	RLP3109	1-9/16	40	RLP3000105109	RLP3000 Ratchet 1 9/16"/40 mm A/F
RLP1105	1-5/16	33	RLP1500105105	RSL1500 Ratchet 1 5/16"/33 mm A/F	RLP3110	1-5/8	41	RLP3000105110	RLP3000 Ratchet 1 5/8"/41 mm A/F
RLP1106	1-3/8	35	RLP1500105106	RSL1500 Ratchet 1 3/8"/35 mm A/F	RLP3111	1-11/16	43	RLP3000105111	RLP3000 Ratchet 1 11/16"/43 mm A/F
RLP1107	1-7/16	36	RLP1500105107	RSL1500 Ratchet 1 7/16"/36 mm A/F	RLP3112	1-3/4	44	RLP3000105112	RLP3000 Ratchet 1 3/4"/44 mm A/F
RLP1107SL	1-7/16	36	RLP1500105107SL	RSL1500 SL Ratchet 1 7/16"/36 mm A/F	RLP3113	1-13/16	46	RLP3000105113	RLP3000 Ratchet 1 13/16"/46 mm A/F
RLP1108	1-1/2	38	RLP1500105108	RSL1500 Ratchet 1 1/2"/38 mm A/F	RLP3114	1-7/8	48	RLP3000105114	RLP3000 Ratchet 1 7/8"/48 mm A/F
RLP1109	1-9/16	40	RLP1500105109	RSL1500 Ratchet 1 9/16"/40 mm A/F	RLP3115	1-15/16	49	RLP3000105115	RLP3000 Ratchet 1 15/16"/49 mm A/F
RLP1110	1-5/8	41	RLP1500105110	RSL1500 Ratchet 1 5/8"/41 mm A/F	RLP3200	2	50	RLP3000105200	RLP3000 Ratchet 2"/50 mm A/F
RLP1110SL	1-5/8	41	RLP1500105110SL	RSL1500 SL Ratchet 1 5/8"/41 mm A/F	RLP3200SL	2	50	RLP3000105200SL	RLP3000 SL Ratchet 2"/50 mm A/F
RLP1111	1-11/16	43	RLP1500105111	RSL1500 Ratchet 1 11/16"/43 mm A/F	RLP3201	2-1/16	52	RLP3000105201	RLP3000 Ratchet 2 1/16"/52 mm A/F
RLP1112	1-3/4	44	RLP1500105112	RSL1500 Ratchet 3/4"/44 mm A/F	RLP3202	2-1/8	54	RLP3000105202	RLP3000 Ratchet 2 1/8"/54 mm A/F
RLP1113	1-13/16	46	RLP1500105113	RSL1500 Ratchet 1 13/16"/46 mm A/F	RLP3203	2-3/16	55	RLP3000105203	RLP3000 Ratchet 2 3/16"/55 mm A/F
RLP1113SL	1-13/16	46	RLP1500105113SL	RSL1500 SL Ratchet 1 13/16"/46 mm A/F	RLP3203SL	2-3/16	55	RLP3000105203SL	RLP3000 SL Ratchet 2 3/16"/55 mm A/F
RLP1114	1-7/8	48	RLP1500105114	RSL1500 Ratchet 1 7/8"/48 mm A/F	RLP3204	2-1/4	57	RLP3000105204	RLP3000 Ratchet 2 1/4"/57 mm A/F
RLP1115	1-15/16	49	RLP1500105115	RSL1500 Ratchet 1 15/16"/49 mm A/F	RLP3205	2-5/16	-	RLP3000105205	RLP3000 Ratchet 2 5/16"/59 mm A/F
RLP1200	2	50	RLP1500105200	RSL1500 Ratchet 2"/50 mm A/F	RLP3206	2-3/8	60	RLP3000105206	RLP3000 Ratchet 2 3/8"/60 mm A/F
RLP1200SL	2	50	RLP1500105200SL	RSL1500 SL Ratchet 2"/50 mm A/F	RLP3206SL	2-3/8	60	RLP3000105206SL	RLP3000 SL Ratchet 2 3/8"/60 mm A/F
RLP1201	2-1/16	52	RLP1500105201	RSL1500 Ratchet 2 1/16"/52 mm A/F	RLP3207	2-7/16	62	RLP3000105207	RLP3000 Ratchet 2 7/16"/62 mm A/F
RLP1202	2-1/8	54	RLP1500105202	RSL1500 Ratchet 2 1/8"/54 mm A/F	RLP3208	2-1/2	63	RLP3000105208	RLP3000 Ratchet 2 1/2"/63 mm A/F
RLP1203	2-3/16	55	RLP1500105203	RSL1500 Ratchet 2 3/16"/55 mm A/F	RLP3209	2-9/16	65	RLP3000105209	RLP3000 Ratchet 2 9/16"/65 mm A/F
RLP1204	2-1/4	57	RLP1500105204	RSL1500 Ratchet 2 1/4"/57 mm A/F	RLP3209SL	2-9/16	65	RLP3000105209SL	RLP3000 SL Ratchet 2 9/16"/65 mm A/F
RLP1205	2-5/16	59	RLP1500105205	RSL1500 Ratchet 2 5/16"/59 mm A/F	RLP3210	2-5/8	67	RLP3000105210	RLP3000 Ratchet 2 5/8"/67 mm A/F
RLP1206	2-3/8	60	RLP1500105206	RSL1500 Ratchet 2 3/8"/60 mm A/F	RLP3211	2-11/16	68	RLP3000105211	RLP3000 Ratchet 2 11/16"/68 mm A/F

Table 2b - RSL Hex Insert Part Numbers [continued]

Cassette	Inch	mm	RSL3000		Cassette	Inch	mm	RSL5000	
			Insert, Hex#	Description				Insert, Hex#	Description
RLP3212	2-3/4	70	RLP3000105212	RLP3000 Ratchet 2 3/4"/70 mm A/F	RLP5215	2-15/16	75	RLP5000105215	RSL5000 Ratchet 2 15/16"/75 mm A/F
RLP3212SL	2-3/4	70	RLP3000105212SL	RLP3000 SL Ratchet 2 3/4"/70 mm A/F	RLP5300	3	77	RLP5000105300	RSL5000 Ratchet 3"/77 mm A/F
RLP3213	2-13/16	71	RLP3000105213	RLP3000 Ratchet 2 13/16"/71 mm A/F	RLP5301	3-1/16	78	RLP5000105301	RSL5000 Ratchet 3 1/16"/78 mm A/F
RLP3214	2-7/8	73	RLP3000105214	RLP3000 Ratchet 2 7/8"/73 mm A/F	RLP5302	3-1/8	80	RLP5000105302	RSL5000 Ratchet 3 1/8"/80 mm A/F
RLP3215	2-15/16	75	RLP3000105215	RLP3000 Ratchet 2 15/16"/75 mm A/F	Cassette	Inch	mm	RSL8000	
RLP3215SL	2-15/16	75	RLP3000105215SL	RLP3000 SL Ratchet 2 15/16"/75 mm A/F				Insert, Hex#	Description
Cassette	Inch	mm	RSL5000		RLP8206	2.375	60	RLP8000105206	RSL8000 Ratchet 2 3/8"/60 mm A/F
RLP5111	1-11/16	43	RLP5000105111	RSL5000 Ratchet 1 11/16"/43 mm A/F	RLP8207	2.4375	62	RLP8000105207	RSL8000 Ratchet 2 7/16"/62 mm A/F
RLP5112	1-3/4	44	RLP5000105112	RSL5000 Ratchet 1 3/4"/44 mm A/F	RLP8208	2.5	63	RLP8000105208	RSL8000 Ratchet 2 1/2"/63 mm A/F
RLP5113	1-13/16	46	RLP5000105113	RSL5000 Ratchet 1 13/16"/46 mm A/F	RLP8209	2.5625	65	RLP8000105209	RSL8000 Ratchet 2 9/16"/65 mm A/F
RLP5114	1-7/8	48	RLP5000105114	RSL5000 Ratchet 1 7/8"/48 mm A/F	RLP8210	2.625	67	RLP8000105210	RSL8000 Ratchet 2 5/8"/67 mm A/F
RLP5115	1-15/16	49	RLP5000105115	RSL5000 Ratchet 1 15/16"/49 mm A/F	RLP8211	2.6875	68	RLP8000105211	RSL8000 Ratchet 2 11/16"/68 mm A/F
RLP5200	2	50	RLP5000105200	RSL5000 Ratchet 2"/50 mm A/F	RLP8212	2.75	70	RLP8000105212	RSL8000 Ratchet 2 3/4"/70 mm A/F
RLP5201	2-1/16	52	RLP5000105201	RSL5000 Ratchet 2 1/16"/52 mm A/F	RLP8213	2.8125	71	RLP8000105213	RSL8000 Ratchet 2 13/16"/71 mm A/F
RLP5202	2-1/8	54	RLP5000105202	RSL5000 Ratchet 2 1/8"/54 mm A/F	RLP8214	2.875	73	RLP8000105214	RSL8000 Ratchet 2 7/8"/73 mm A/F
RLP5203	2-3/16	55	RLP5000105203	RSL5000 Ratchet 2 3/16"/55 mm A/F	RLP8215	2.9375	75	RLP8000105215	RSL8000 Ratchet 2 15/16"/75 mm A/F
RLP5204	2-1/4	57	RLP5000105204	RSL5000 Ratchet 2 1/4"/57 mm A/F	RLP8300	3	77	RLP8000105300	RSL8000 Ratchet 3"/77 mm A/F
RLP5205	2-5/16	59	RLP5000105205	RSL5000 Ratchet 2 5/16"/59 mm A/F	RLP8301	3.0625	78	RLP8000105301	RSL8000 Ratchet 3 1/16"/78 mm A/F
RLP5206	2-3/8	60	RLP5000105206	RSL5000 Ratchet 2 3/8"/60 mm A/F	RLP8302	3.125	80	RLP8000105302	RSL8000 Ratchet 3 1/8"/80 mm A/F
RLP5207	2-7/16	62	RLP5000105207	RSL5000 Ratchet 2 7/16"/62 mm A/F	Cassette	Inch	mm	RSL11000	
RLP5208	2-1/2	63	RLP5000105208	RSL5000 Ratchet 2 1/2"/63 mm A/F				Insert, Hex#	Description
RLP5209	2-9/16	65	RLP5000105209	RSL5000 Ratchet 2 9/16"/65 mm A/F	RLP11207	2.7/16	62	RLP11000105207	RSL11000 Ratchet 2 7/16"/62 mm A/F
RLP5210	2-5/8	67	RLP5000105210	RSL5000 Ratchet 2 5/8"/67 mm A/F	RLP11208	2.1/2	63	RLP11000105208	RSL11000 Ratchet 2 1/2"/63 mm A/F
RLP5211	2-11/16	68	RLP5000105211	RSL5000 Ratchet 2 11/16"/68 mm A/F	RLP11209	2.9/16	65	RLP11000105209	RSL11000 Ratchet 2 9/16"/65 mm A/F
RLP5212	2-3/4	70	RLP5000105212	RSL5000 Ratchet 2 3/4"/70 mm A/F	RLP11210	2.5/8	67	RLP11000105210	RSL11000 Ratchet 2 5/8"/67 mm A/F
RLP5213	2-13/16	71	RLP5000105213	RSL5000 Ratchet 2 13/16"/71 mm A/F	RLP11211	2.11/16	68	RLP11000105211	RSL11000 Ratchet 2 11/16"/68 mm A/F
RLP5214	2-7/8	73	RLP5000105214	RSL5000 Ratchet 2 7/8"/73 mm A/F	RLP11212	2.3/4	70	RLP11000105212	RSL11000 Ratchet 2 3/4"/70 mm A/F
					RLP11213	2.13/16	71	RLP11000105213	RSL11000 Ratchet 2 13/16"/71 mm A/F

Table 2b - RSL Hex Insert Part Numbers [continued]

Cassette	Inch	mm	RSL11000		Cassette	Inch	mm	RSL11000	
			Insert, Hex#	Description				Insert, Hex#	Description
RLP11214	2.7/8	73	RLP11000105214	RSL11000 Ratchet 2 7/8"/73 mm A/F	RLP11408	4.1/2	*	RLP11000105408	RSL11000 Ratchet 4 1/2" A/F
RLP11215	2.15/16	75	RLP11000105215	RSL11000 Ratchet 2 15/16"/75 mm A/F	RLP11409	4.9/16	-	RLP11000105409	RSL11000 Ratchet 4 9/16" A/F
RLP11300	3	77	RLP11000105300	RSL11000 Ratchet 3"/77 mm A/F	RLP11410	4.5/8	*	RLP11000105410	RSL11000 Ratchet 4 5/8" A/F
RLP11301	3.1/16	78	RLP11000105301	RSL11000 Ratchet 3 1/16"/78 mm A/F	RLP11115M	*	115	RLP11000105115M	RSL11000 Ratchet 115 mm A/F
RLP11302	3.1/8	80	RLP11000105302	RSL11000 Ratchet 3 1/8"/80 mm A/F	Cassette	Inch	mm	RSL19000	
RLP11303	3.3/16	81	RLP11000105303	RSL11000 Ratchet 3 3/16"/81 mm A/F				Insert, Hex#	Description
RLP11304	3.1/4	83	RLP11000105304	RSL11000 Ratchet 3 1/4"/83 mm A/F	RLP19215	2.15/16	75	RLP19000105215	RLP19000 Ratchet 2 15/16"/75 mm A/F
RLP11305	3.5/16	84	RLP11000105305	RSL11000 Ratchet 3 5/16"/84 mm A/F	RLP19300	3	77	RLP19000105300	RLP19000 Ratchet 3"/77 mm A/F
RLP11085M	*	85	RLP1100010585M	RSL11000 Ratchet 85 mm A/F	RLP19301	3.1/16	78	RLP19000105301	RLP19000 Ratchet 3 1/16"/78 mm A/F
RLP11306	3.3/8	86	RLP11000105306	RSL11000 Ratchet 3 3/8"/86 mm A/F	RLP19302	3.1/8	80	RLP19000105302	RLP19000 Ratchet 3 1/8"/80 mm A/F
RLP11307	3.7/16	*	RLP11000105307	RSL11000 Ratchet 3 7/16" A/F	RLP19303	3.3/16	81	RLP19000105303	RLP19000 Ratchet 3 3/16"/81 mm A/F
RLP11308	3.1/2	89	RLP11000105308	RSL11000 Ratchet 3 1/2"/89 mm A/F	RLP19304	3.1/4	83	RLP19000105304	RLP19000 Ratchet 3 1/4"/83 mm A/F
RLP11090M	*	90	RLP1100010590M	RSL11000 Ratchet 90 mm A/F	RLP19305	3.5/16	84	RLP19000105305	RLP19000 Ratchet 3 5/16"/84 mm A/F
RLP11309	3.9/16	91	RLP11000105309	RSL11000 Ratchet 3 9/16"/91 mm A/F	RLP19085M	-	85	RLP1900010585M	RSL19000 Ratchet 85 mm A/F
RLP11310	3.5/8	92	RLP11000105310	RSL11000 Ratchet 3 5/8"/92 mm A/F	RLP19306	3.3/8	86	RLP19000105306	RLP19000 Ratchet 3 3/8"/86 mm A/F
RLP11311	3.11/16	94	RLP11000105311	RSL11000 Ratchet 3 11/16"/94 mm A/F	RLP19307	3.7/16	-	RLP19000105307	RLP19000 Ratchet 3 7/16" A/F
RLP11312	3.3/4	95	RLP11000105312	RSL11000 Ratchet 3 3/4"/95 mm A/F	RLP19308	3.1/2	89	RLP19000105308	RLP19000 Ratchet 3 1/2"/89 mm A/F
RLP11313	3.13/16	97	RLP11000105313	RSL11000 Ratchet 3 13/16"/97 mm A/F	RLP19090M	-	90	RLP1900010590M	RSL19000 Ratchet 90 mm A/F
RLP11314	3.7/8	99	RLP11000105314	RSL11000 Ratchet 3 7/8"/99 mm A/F	RLP19309	3.9/16	91	RLP19000105309	RLP19000 Ratchet 3 9/16"/91 mm A/F
RLP11315	3.15/16	100	RLP11000105315	RSL11000 Ratchet 3 15/16"/100 mm A/F	RLP19310	3.5/8	92	RLP19000105310	RLP19000 Ratchet 3 5/8"/92 mm A/F
RLP11400	4	102	RLP11000105400	RSL11000 Ratchet 4"/102 mm A/F	RLP19311	3.11/16	94	RLP19000105311	RLP19000 Ratchet 3 11/16"/94 mm A/F
RLP11401	4.1/16	*	RLP11000105401	RSL11000 Ratchet 4 1/16" A/F	RLP19312	3.3/4	95	RLP19000105312	RLP19000 Ratchet 3 3/4"/95 mm A/F
RLP11402	4.1/8	105	RLP11000105402	RSL11000 Ratchet 4 1/8"/105 mm A/F	RLP19313	3.13/16	97	RLP19000105313	RLP19000 Ratchet 3 13/16"/97 mm A/F
RLP11403	4.3/16	*	RLP11000105403	RSL11000 Ratchet 4 3/16" A/F	RLP19314	3.7/8	99	RLP19000105314	RLP19000 Ratchet 3 7/8"/99 mm A/F
RLP11404	4.1/4	108	RLP11000105404	RSL11000 Ratchet 4 1/4"/108 mm A/F	RLP19315	3.15/16	100	RLP19000105315	RLP19000 Ratchet 3 15/16"/100 mm A/F
RLP11405	4.5/16	110	RLP11000105405	RSL11000 Ratchet 4 5/16"/110 mm A/F	RLP19400	4	102	RLP19000105400	RLP19000 Ratchet 4"/102 mm A/F
RLP11406	4.3/8	111	RLP11000105406	RSL11000 Ratchet 4 3/8"/111 mm A/F	RLP19401	4.1/16	-	RLP19000105401	RLP19000 Ratchet 4 1/16" A/F
RLP11407	4.7/16	113	RLP11000105407	RSL11000 Ratchet 4 7/16"/113 mm A/F	RLP19402	4.1/8	105	RLP19000105402	RLP19000 Ratchet 4 1/8"/105 mm A/F

Table 2b - RSL Hex Insert Part Numbers [continued]

Cassette	Inch	mm	RSL19000		Cassette	Inch	mm	RSL28000	
			Insert, Hex#	Description				Insert, Hex#	Description
RLP19403	4.3/16	*	RLP19000105403	RLP19000 Ratchet 4 3/16" A/F	RLP28401	4.1/16	-	RLP28000105401	RLP28000 Ratchet 4 1/16" A/F
RLP19404	4.1/4	108	RLP19000105404	RLP19000 Ratchet 4 1/4"/108 mm A/F	RLP28402	4.1/8	105	RLP28000105402	RLP28000 Ratchet 4 1/8"/105 mm A/F
RLP19405	4.5/16	110	RLP19000105405	RLP19000 Ratchet 4 5/16"/110 mm A/F	RLP28403	4.3/16	*	RLP28000105403	RLP28000 Ratchet 4 3/16" A/F
RLP19406	4.3/8	111	RLP19000105406	RLP19000 Ratchet 4 3/8"/111 mm A/F	RLP28404	4.1/4	108	RLP28000105404	RLP28000 Ratchet 4 1/4"/108 mm A/F
RLP19407	4.7/16	113	RLP19000105407	RLP19000 Ratchet 4 7/16"/113 mm A/F	RLP28405	4.5/16	110	RLP28000105405	RLP28000 Ratchet 4 5/16"/110 mm A/F
RLP19408	4.1/2	-	RLP19000105408	RLP19000 Ratchet 4 1/2" A/F	RLP28406	4.3/8	111	RLP28000105406	RLP28000 Ratchet 4 3/8"/111 mm A/F
RLP19409	4.9/16	-	RLP19000105409	RLP19000 Ratchet 4 9/16" A/F	RLP28407	4.7/16	113	RLP28000105407	RLP28000 Ratchet 4 7/16"/113 mm A/F
RLP19410	4.5/8	-	RLP19000105410	RLP19000 Ratchet 4 5/8" A/F	RLP28408	4.1/2	*	RLP28000105408	RLP28000 Ratchet 4 1/2" A/F
RLP19115M	-	115	RLP19000105115M	RLP19000 Ratchet 115 mm A/F	RLP28115M	*	115	RLP28000105115M	RLP28000 Ratchet 115 mm A/F
Cassette	Inch	mm	RSL28000		RLP28409	4.9/16	-	RLP28000105409	RLP28000 Ratchet 4 9/16" A/F
			Insert, Hex#	Description	RLP28410	4.5/8	*	RLP28000105410	RLP28000 Ratchet 4 5/8" A/F
RLP28302	3.1/8	80	RLP28000105302	RLP28000 Ratchet 3 1/8"/80 mm A/F	RLP28412	4.3/4	120	RLP28000105412	RLP28000 Ratchet 4 3/4"/120 mm A/F
RLP28303	3.3/16	81	RLP28000105303	RLP28000 Ratchet 3 3/16"/81 mm A/F	RLP28123M	*	123	RLP28000105123M	RLP28000 Ratchet 123 mm A/F
RLP28304	3.1/4	83	RLP28000105304	RLP28000 Ratchet 3 1/4"/83 mm A/F	RLP28414	4.7/8	124	RLP28000105414	RLP28000 Ratchet 4 7/8"/124 mm A/F
RLP28305	3.5/16	84	RLP28000105305	RLP28000 Ratchet 3 5/16"/84 mm A/F	RLP28500	5	127	RLP28000105500	RLP28000 Ratchet 5"/127 mm A/F
RLP28085M	*	85	RLP2800010585M	RLP28000 Ratchet 5 3/4"/145 mm A/F	RLP28502	5.1/8	130	RLP28000105502	RLP28000 Ratchet 5 1/8"/130 mm A/F
RLP28306	3.3/8	86	RLP28000105306	RLP28000 Ratchet 3 3/8"/86 mm A/F	RLP28503	5.3/16	-	RLP28000105503	RLP28000 Ratchet 5 3/16" A/F
RLP28307	3.7/16	*	RLP28000105307	RLP28000 Ratchet 3 7/16" A/F	RLP28504	5.1/4	*	RLP28000105504	RLP28000 Ratchet 5 1/4" A/F
RLP28308	3.1/2	89	RLP28000105308	RLP28000 Ratchet 3 1/2"/89 mm A/F	RLP28506	5.3/8	135	RLP28000105506	RLP28000 Ratchet 5 3/8"/135 mm A/F
RLP28090M	*	90	RLP2800010590M	RLP28000 Ratchet 90 mm A/F	RLP28508	5.1/2	140	RLP28000105508	RLP28000 Ratchet 5 1/2"/140 mm A/F
RLP28309	3.9/16	91	RLP28000105309	RLP28000 Ratchet 3 9/16"/91 mm A/F	RLP28509	5.9/16	141	RLP28000105509	RLP28000 Ratchet 5 9/16"/141 mm A/F
RLP28310	3.5/8	92	RLP28000105310	RLP28000 Ratchet 3 5/8"/92 mm A/F	RLP28510	5.5/8	143	RLP28000105510	RLP28000 Ratchet 5 5/8"/143 mm A/F
RLP28311	3.11/16	94	RLP28000105311	RLP28000 Ratchet 3 11/16"/94 mm A/F	RLP28512	5.3/4	145	RLP28000105512	RLP28000 Ratchet 5 3/4"/145 mm A/F
RLP28312	3.3/4	95	RLP28000105312	RLP28000 Ratchet 3 3/4"/95 mm A/F	RLP28514	5.7/8	150	RLP28000105514	RLP28000 Ratchet 5 7/8"/150 mm A/F
RLP28313	3.13/16	97	RLP28000105313	RLP28000 Ratchet 3 13/16"/97 mm A/F	RLP28151M	*	151	RLP28000105151M	RLP28000 Ratchet 151 mm A/F
RLP28314	3.7/8	99	RLP28000105314	RLP28000 Ratchet 3 7/8"/99 mm A/F	RLP28600	6	153	RLP28000105600	RLP28000 Ratchet 6"/153 mm A/F
RLP28315	3.15/16	100	RLP28000105315	RLP28000 Ratchet 3 15/16"/100 mm A/F	RLP28602	6.1/8	155	RLP28000105602	RLP28000 Ratchet 6 1/8"/155 mm A/F
RLP28400	4	102	RLP28000105400	RLP28000 Ratchet 4"/102 mm A/F					

Notes: Refer to Instruction Sheet for:

- Inspection, lubrication and maintenance instructions.
- Torque specifications for selected fasteners.

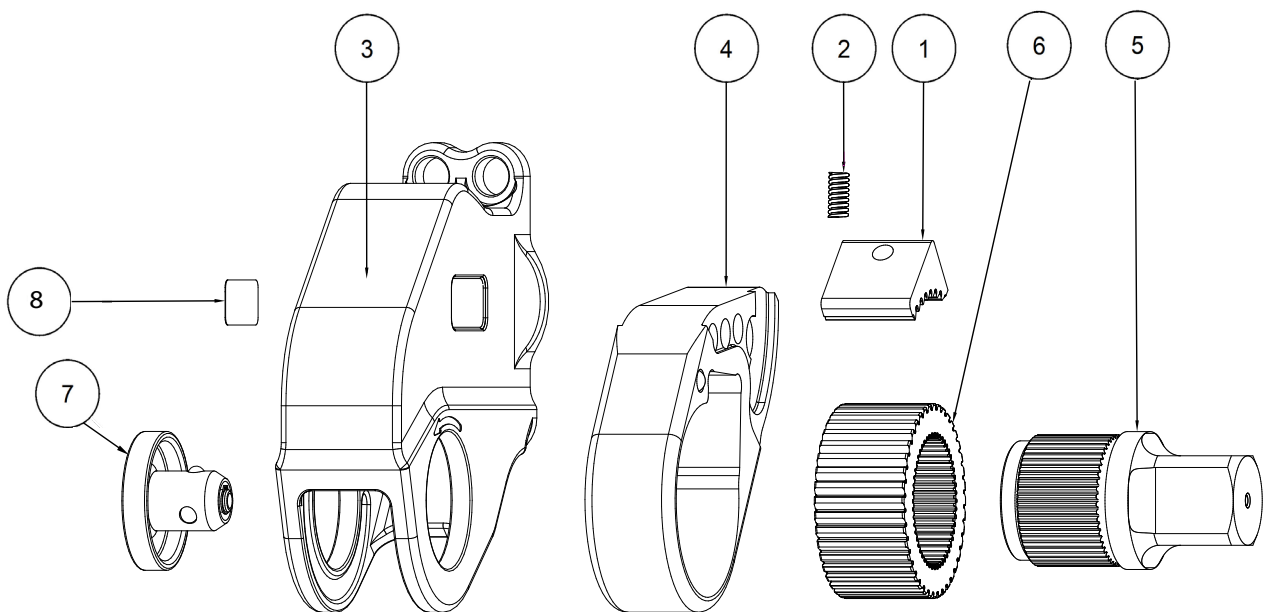


Figure 3, RSL Square Drive Cassette Assembly

Table 3 - Repair Parts List for Figure 3

Item	Description	Quantity	RSL Square Drive Cassettes and Part Numbers			
			RSQ1500	RSQ3000	RSQ5000	RSQ8000
1	Pawl	1	◆	◆	◆	◆
2	Spring	1 (2)	◆	◆	◆	◆
3	Housing	1	∧	∧	∧	∧
4	Assembly, Pawl Driver	1	◆	◆	◆	◆
5	Drive, Square	1	∴	∴	∴	∴
6	Driver, Square	1	◆	◆	◆	◆
7	Ass'y, Retainer, Sq Dr	1	∴	∴	∴	∴
8	Sign, Safety	1	◆ ∧	◆ ∧	◆ ∧	◆ ∧

Item	Description	Quantity	RSL Square Drive Cassettes and Part Numbers		
			RSQ11000	RSQ19000	RSQ28000
1	Pawl	1	◆	◆	◆
2	Spring	1	◆	◆	◆
3	Housing	1	∧	∧	∧
4	Assembly, Pawl Driver	1	◆	◆	◆
5	Drive, Square	1	∴	∴	∴
6	Driver, Square	1	◆	◆	◆
7	Ass'y, Retainer, Sq Dr	1	∴	∴	∴
8	Sign, Safety	1	◆ ∧	◆ ∧	◆ ∧

Notes:

Common models and part numbers shown. To order replacement parts specify: Tool Style, Model Number, Serial Number, Date Code, Description, and Part Number

◆ = Indicates items included and available only as part of Pawl Kit (SQUARE):
 RSL1500SPK, RSL3000SPK, RSL5000SPK, RSL8000SPK, RSL11000SPK, RSL19000SPK, RSL28000SPK

∧ = Indicates items included and available only as part of Housing Kit (SQUARE):
 RSL1500SHK, RSL3000SHK, RSL5000SHK, RSL8000SHK, RSL11000SHK, RSL19000SHK, RSL28000SHK

∴ = Indicates items included and available only as part of Square Drive Kit (SQUARE):
 RSL1500SDK, RSL3000SDK, RSL5000SDK, RSL8000SDK, RSL11000SDK, RSL19000SDK, RSL28000SDK

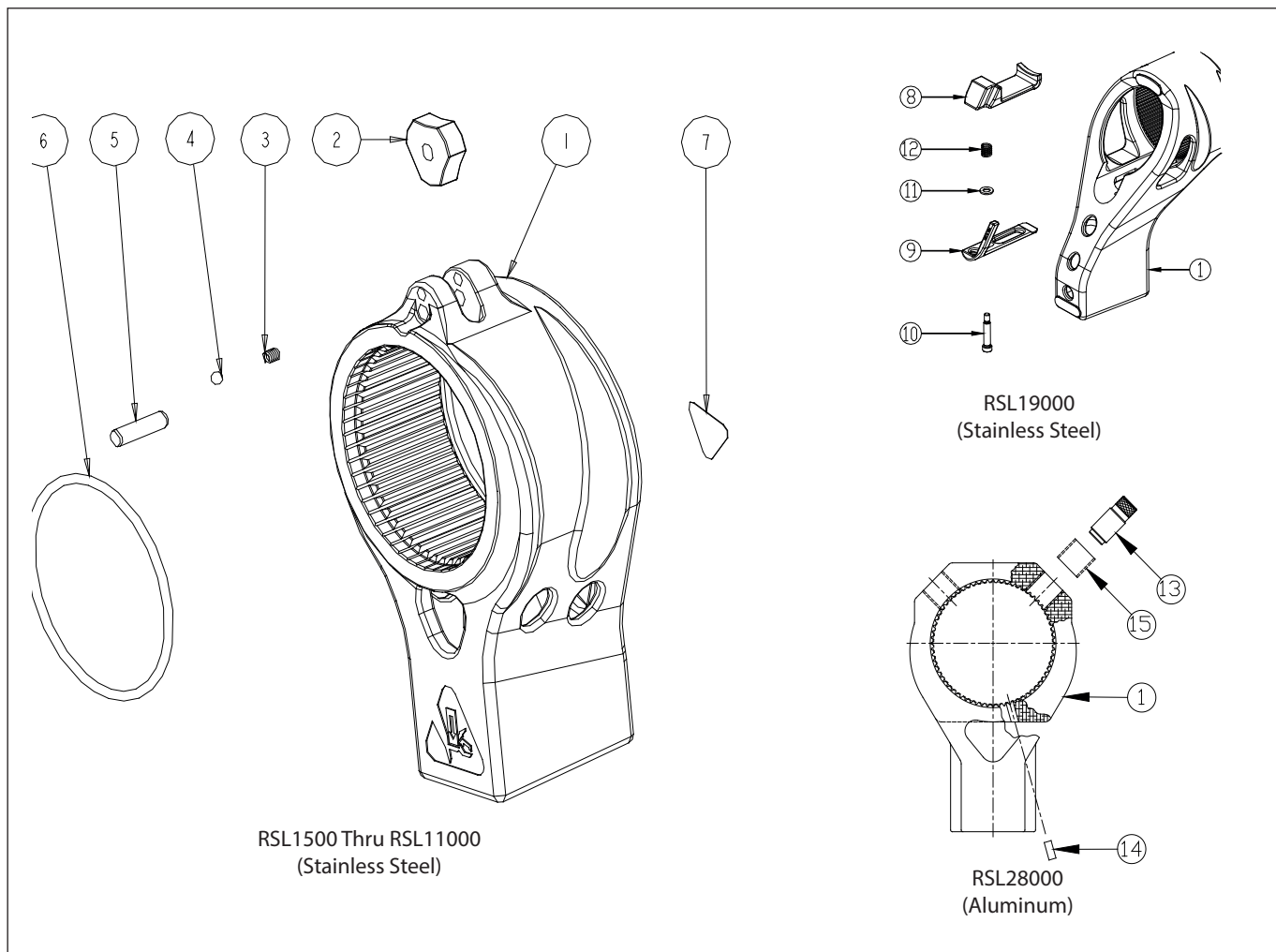


Figure 4, RSL Reaction Arm Assembly

Table 4 - Repair Parts List for Figure 4

Item	Description	Quantity	RSL Reaction Arm and Part Numbers			
			RRA1500	RRA3000	RRA5000	RRA8000
1	Arm, Reaction	1	005BS0042572	005BS0042594	005BS0042607	005BS0042614
2	Dialock	1	*	*	*	*
3	Spring, Compression	1	*	*	*	*
4	Ball	1	*	*	*	*
5	Pin, Dowel	1	*	*	*	*
6	O-ring	1	*	*	*	*
7	Sign, Safety	1	*	*	*	*
8	Lever, Retention	1	-	-	-	-
9	Lock, Retention	1	-	-	-	-
10	Screw, Socket Hd Shldr	1	-	-	-	-
11	Washer	1	-	-	-	-
12	Spring, Compression	1	-	-	-	-
13	Screw	2	-	-	-	-
14	Pin, Roll, ¼" D x 5/8" L	1	-	-	-	-
15	Insert, Thread	2	-	-	-	-
Item	Description	Quantity	RRA11000	RRA19000	RRA28000	
1	Arm, Reaction	1	005BS0046164	005BS0042569	005BS0042587	
2	Dialock	1	*	-	-	
3	Spring, Compression	1	*	-	-	
4	Ball	1	*	-	-	
5	Pin, Dowel	1	*	-	-	
6	O-ring	1	*	-	-	
7	Sign, Safety	1	*	-	*	
8	Lever, Retention	1	-	*	-	
9	Lock, Retention	1	-	*	-	
10	Screw, Socket Hd Shldr	1	-	*	-	
11	Washer	1	-	*	-	
12	Spring, Compression	1	-	*	-	
13	Screw	2	-	-	*	
14	Pin, Roll, ¼" D x 5/8" L	1	-	-	*	
15	Insert, Thread	2	-	-	*	

Note:

Common models and part numbers shown. To order replacement parts specify: Tool Style, Model Number, Serial Number, Date Code, Description, and Part Number

* = Indicates items included and available only as part of Dialock Kit:

RSL1500DK, RSL3000DK, RSL5000DK, RSL8000DK, RSL11000DK, RSL19000DK, RSL28000DK

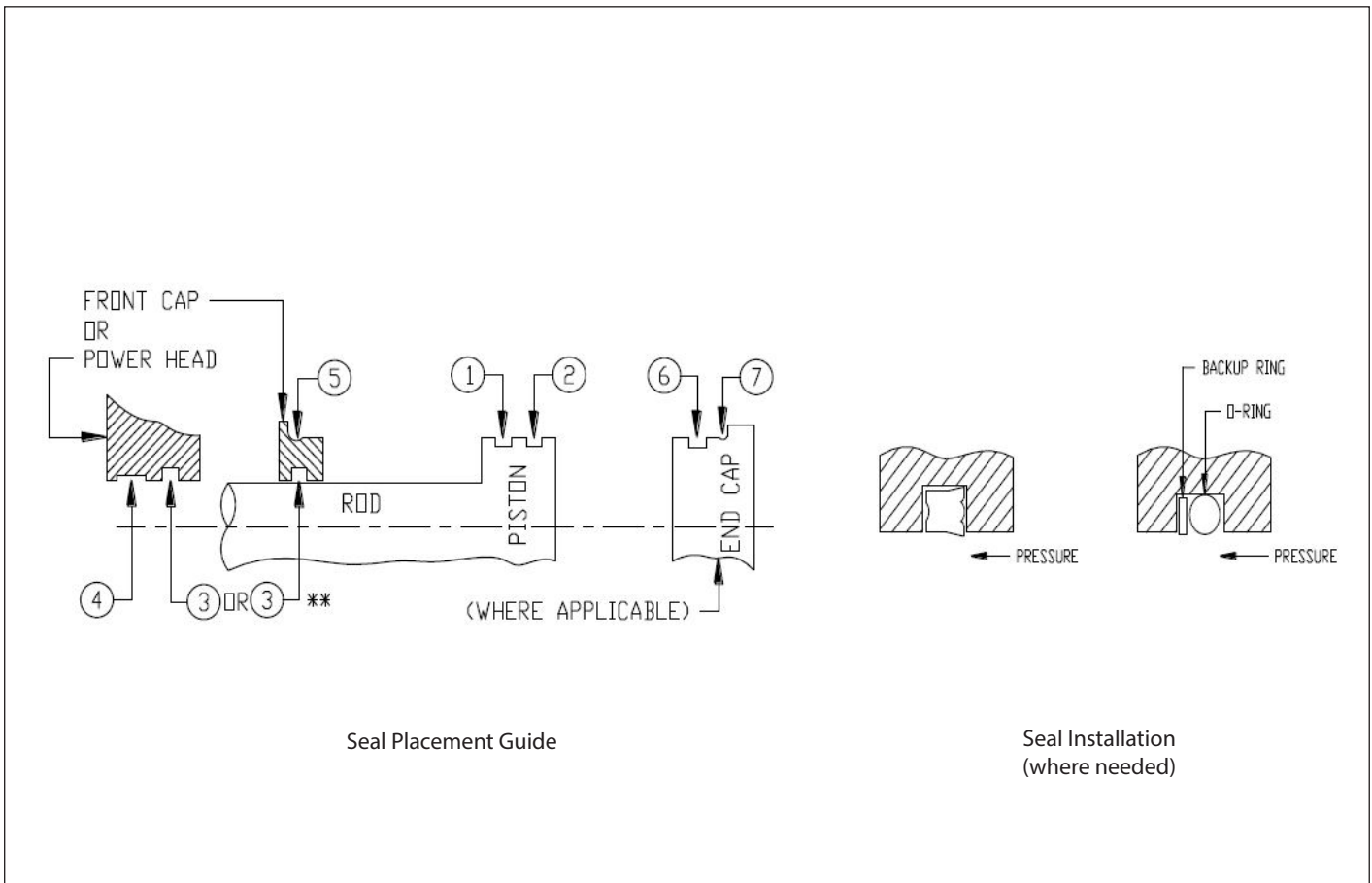


Figure 5, RSL Torque Wrench Drive Seal Kit

Table 5 - Repair Parts List for Figure 5

RSL Model	Seal Kit Number	RSL Seals and Part Numbers			
		Piston Seal	Piston Wear Ring	Rod Seal	Rod Wear Ring
RSL1500	RSL1500SK	+	+	+	-
RSL3000	RSL3000SK	+	+	+	-
RSL5000	RSL5000SK	+	+	+	-
RSL8000	RSL8000SK	+	+	+	-
RSL11000	RSL11000SK	+	+	+	-
RSL19000	RSL19000SK	+	+	+	-
RSL28000	RSL28000SK	+	+	+	+
RSL Model	Seal Kit Number	Front Cap Seal	End Cap Seal	End Cap Seal	
			(groove)	(corner)	
RSL1500	RSL1500SK	+	-	-	
RSL3000	RSL3000SK	+	-	-	
RSL5000	RSL5000SK	+	-	-	
RSL8000	RSL8000SK	+	-	-	
RSL11000	RSL11000SK	+	-	-	
RSL19000	RSL19000SK	+	-	-	
RSL28000	RSL28000SK	-	+	+	

Note:

Common models and part numbers shown. To order replacement parts specify: Tool Style, Model Number, Serial Number, Date Code, Description, and Part Number

* = Indicates items included and available only as part of Dialock Kit:

RSL1500DK, RSL3000DK, RSL5000DK, RSL8000DK, RSL11000DK, RSL19000DK, RSL28000DK

Table 6 - Spare Kits, Tool Accessories & Options

Part Number	RSL Retractor Kits	Part Number	RSL Housing Kit (HEX)
RSL1500RK	Power Head, Retractor, Retractor Pin, Roll Pin,	RSL1xxxHHK	Housing (Right), Housing (Left), Socket Hd Cap Screw, Washer, Safety Plate
RSL3000RK	Power Head, Retractor, Retractor Pin, Roll Pin, Roll Pin (or Screw)	RSL3xxxHHK	Housing (Right), Housing (Left), Socket Hd Cap Screw, Washer, Safety Plate
RSL5000RK	Power Head, Retractor, Retractor Pin, Inner Pin, Roll Pin, Roll Pin (or Screw)	RSL5xxxHHK	Housing (Right), Housing (Left), Socket Hd Cap Screw, Washer, Safety Plate
RSL8000RK	Power Head, Retractor, Retractor Pin, Inner Pin, Roll Pin (or Screw)	RSL8xxxHHK	Housing (Right), Housing (Left), Socket Hd Cap Screw, Washer, Safety Plate
RSL11000RK	Power Head, Retractor, Retractor Pin, Inner Pin, Roll Pin, Roll Pin (or Screw), Pin in Pin	RSL11xxxHHK	Housing (Right), Housing (Left), Socket Hd Cap Screw, Washer, Safety Plate
RSL19000RK	Power Head, Retractor, Retractor Pin, Inner Pin, Roll Pin, Roll Pin (or Screw)	RSL19xxxHHK	Housing (Right), Housing (Left), Socket Hd Cap Screw, Washer, Safety Plate
RSL28000RK	Power Head, Retractor, Retractor Pin, Inner Pin, Roll Pin, Roll Pin (or Screw)	RSL28xxxHHK	Housing (Right), Housing (Left), Socket Hd Cap Screw, Washer, Safety Plate
Part Number	RSL Bolt Kits	Part Number	RSL Pawl Kit (SQUARE)
RSL1500BK	Short Bolt, Long Bolt	RSL1500SPK	Pawl, Spring, Pawl Driver Assembly, Square Driver, Safety Sign
RSL3000BK	Short Bolt, Long Bolt	RSL3000SPK	Pawl, Spring, Pawl Driver Assembly, Square Driver, Safety Sign
RSL5000BK	Short Bolt, Long Bolt	RSL5000SPK	Pawl, Spring, Pawl Driver Assembly, Square Driver, Safety Sign
RSL8000BK	Short Bolt, Long Bolt	RSL8000SPK	Pawl, Spring, Pawl Driver Assembly, Square Driver, Safety Sign
RSL11000BK	Short Bolt, Long Bolt	RSL11000SPK	Pawl, Spring, Pawl Driver Assembly, Square Driver, Safety Sign
RSL19000BK	Short Bolt, Long Bolt	RSL19000SPK	Pawl, Spring, Pawl Driver Assembly, Square Driver, Safety Sign
RSL28000BK	Short Bolt, Long Bolt	RSL28000SPK	Pawl, Spring, Pawl Driver Assembly, Square Driver, Safety Sign
Part Number	RSL Front Cap and Seal Kit	Part Number	RSL Housing Kit (SQUARE)
RSL1500FSK	Front Cap, Seal Kit	RSL1500SHK	Housing, Safety Sign
RSL3000FSK	Front Cap, Seal Kit	RSL3000SHK	Housing, Safety Sign
RSL5000FSK	Front Cap, Seal Kit	RSL5000SHK	Housing, Safety Sign
RSL8000FSK	Front Cap, Seal Kit	RSL8000SHK	Housing, Safety Sign
RSL11000FSK	Front Cap, Seal Kit	RSL11000SHK	Housing, Safety Sign
RSL19000FSK	Front Cap, Seal Kit	RSL19000SHK	Housing, Safety Sign
RSL28000FSK	Seal Kit, End Cap, Bolts	RSL28000SHK	Housing, Safety Sign
Part Number	RSL Pawl Kit (HEX)	Part Number	RSL Square Drive Kit (SQUARE)
RSL1xxxHPK	Pawl, Pawl Driver Assembly, Spring	RSL1500SDK	Square Drive, Square Drive Retainer Assembly
RSL3xxxHPK	Pawl, Pawl Driver Assembly, Spring	RSL3000SDK	Square Drive, Square Drive Retainer Assembly
RSL5xxxHPK	Pawl, Pawl Driver Assembly, Spring	RSL5000SDK	Square Drive, Square Drive Retainer Assembly
RSL8xxxHPK	Pawl, Pawl Driver Assembly, Spring (2)	RSL8000SDK	Square Drive, Square Drive Retainer Assembly
RSL11xxxHPK	Pawl, Pawl Driver Assembly, Spring		
RSL19xxxHPK	Pawl, Pawl Driver Assembly, Spring		
RSL28xxxHPK	Pawl, Pawl Driver Assembly, Spring		

Table 6 - Spare Kits, Tool Accessories & Options [continued]

Part Number	RSL Square Drive Kit (SQUARE) [cont]	Part Number	Misc Accessories (Contact Enerpac for Part Numbers)
RSL11000SDK	Square Drive, Square Drive Retainer Assembly	-	Reaction Arm - Special
RSL19000SDK	Square Drive, Square Drive Retainer Assembly	-	Reaction Arm - Weldable Steel
RSL28000SDK	Square Drive, Square Drive Retainer Assembly	-	Reaction Tube
Part Number	RSL Dialock Kit	-	Cable, Reaction Arm Tie Off, Secondary
RSL1500DK	Dialock, Compression Spring, Ball, Dowel Pin, O-Ring, Safety Sign	-	Pin, Reaction Arm Retainer (Replaces Dialock)
RSL3000DK	Dialock, Compression Spring, Ball, Dowel Pin, O-Ring, Safety Sign	-	Reduced Thickness Hex Wrench
RSL5000DK	Dialock, Compression Spring, Ball, Dowel Pin, O-Ring, Safety Sign	-	Insert - Hex Dr. Wrench (Cut Shape - Hex, Double Hex, Octagonal, Square, Double Square, & Spline)
RSL8000DK	Dialock, Compression Spring, Ball, Dowel Pin, O-Ring, Safety Sign	-	Hex Bit - Sq. Dr. Wrench
RSL11000DK	Dialock, Compression Spring, Ball, Dowel Pin, O-Ring, Safety Sign	-	Bracket - Hanging
RSL19000DK	Retention Lever, Retension Lock, Socket Hd Shld Screw, Washer, Compression Spring, Safety Sign	-	Socket with Retaining Pin and Ring
RSL28000DK	Screw, 1/4"D x 5/8"L Roll Pin, Thread Insert, Safety Sign	-	Console - Air or Hydraulic
Part Number	RSL Tool Kit	-	Dust Cover - Quick Connects
RSL1500TK	Front Cap Torque Fixture, Allen Key Fixture - RSL Assembly	Part Number	Lubricants
RSL3000TK	Front Cap Torque Fixture, Allen Key Fixture - RSL Assembly	003LA0026432	Moly Paste, 416, Sweeney 503
RSL5000TK	Front Cap Torque Fixture, Allen Key Fixture - RSL Assembly	Part Number	Handles
RSL8000TK	Front Cap Torque Fixture, Allen Key Fixture - RSL Assembly	L4386	Instructions, Handle, RSL
RSL11000TK	Front Cap Torque Fixture, Allen Key Fixture - RSL Assembly	A0114A0001AA	Assy, Handle, RSL1500, One Handle, Sq Dr Typ
RSL19000TK	Front Cap Torque Fixture, Allen Key Fixture - RSL Assembly	A0114A0001AB	Assy, Handle, RSL1500, Two Handles, Sq Dr Typ
RSL28000TK	Front Cap Torque Fixture, Allen Key Fixture - RSL Assembly	A0114B0001AA	Assy, Handle, RSL1500, One Handle, Hex Dr Typ
Part Number	Hydraulic Quick Connects	A0214A0001AA	Assy, Handle, RSL3000, One Handle, Sq Dr Typ
002NA0026570	CEJN117 Nipple, 700 Bar, 1/4 NPT(F) High Flow	A0214A0001AB	Assy, Handle, RSL3000, Two Handles, Sq Dr Typ
002NB0026569	CEJN117 Coupling, 700 Bar, 1/4 NPT(F) High Flow	A0214B0001AA	Assy, Handle, RSL3000, One Handle, Hex Dr Typ
002NA0026515	Parker Nipple, 3010-2, 700 Bar, 1/4 NPT(F)	A0314A0000AB	Assy, Handle, RSL5000, Two Handles, Sq Dr Typ
002NB0026516	Parker Coupling, 3010-2, 700 Bar, 1/4 NPT(M)	A0314B0000AA	Assy, Handle, RSL5000, One Handle, Hex Dr Typ
Part Number	Swivel - Hydraulic - Two Way	A0414A0000AB	Assy, Handle, RSL8000, Two Handles, Sq Dr Typ
002JM0028689	Swivel, RSL1500, 1/8 NPT(M) to 1/4 NPT(F)	A0414B0000AA	Assy, Handle, RSL8000, One Handle, Hex Dr Typ
002JM0028688	Swivel, RSL3000 thru RSL28000, 1/4 NPT(M) to 1/4 NPT(F)	A0514A0000AB	Assy, Handle, RSL11000, Two Handles, Sq Dr Typ
002JM0028690	Kit, RSL1500, Swivel and Adapter	A0514B0000AA	Assy, Handle, RSL11000, One Handle, Hex Dr Typ
005JM0067396	Kit, Seal & Snap Ring, RSL Swivel	A0614C0000AA	Assy, Handle, RSL19000, One Handle, Sq or Hex Dr Typ
		A0714C0000AA	Assy, Handle, RSL28000, One Handle, Sq or Hex Dr Typ

Table 6 - Spare Kits, Tool Accessories & Options [continued]

Part Number	Wrench, Spanner, Front Cap
005BG0049282	Fixture, RSL Assy-Front Cap Spanner, RSL1500
005BG0049285	Fixture, RSL Assy-Front Cap Spanner, RSL3000
005BG0049286	Fixture, RSL Assy-Front Cap Spanner, RSL5000
005BG0067200	Fixture, RSL Assy-Front Cap Spanner, RSL8000
005BG0049288	Fixture, RSL Assy-Front Cap Spanner, RSL11000
005BG0067202	Fixture, RSL Assy-Front Cap Spanner, RSL19000
Part Number	Assembly, Cover, Power Head Spline
A0105B0002EB	Assy, Cover, Spline, Power Head, RSL1500, Aluminum
A0205B0001EB	Assy, Cover, Spline, Power Head, RSL3000, Aluminum
A0305B0002EB	Assy, Cover, Spline, Power Head, RSL5000, Aluminum
A0405B0002EB	Assy, Cover, Spline, Power Head, RSL 8000, Aluminum
A0505B0002EB	Assy, Cover, Spline, Power Head, RSL11000, Aluminum
A0605B0002EB	Assy, Cover, Spline, Power Head, RSL19000, Aluminum
A0705B0002EB	Assy, Cover, Spline, Power Head, RSL28000, Aluminum
005BG0049281	Fixture, RSL Assy-Seal Installation, RSL1500
Part Number	Extensions, Impact Wrench, Power Head Long & Short Bolts
005BG0067204	Fixture, RSL Assy - Allen Key, RSL1500 Bolts
005BG0067205	Fixture, RSL Assy - Allen Key, RSL3000 Bolts
005BG0067206	Fixture, RSL Assy - Allen Key, RSL5000 Bolts
005BG0067207	Fixture, RSL Assy - Allen Key, RSL8000, RSL11000, RSL19000 Bolts
005BG0067208	Fixture, RSL Assy - Ball Allen Key, RSL8000, RSL11000, RSL19000 Bolts
005BG0067249	Fixture, RSL Assy - Allen Key, RSL19000 Bolts
005BG0049289	Fixture, RSL Assy - Allen Key, RSL28000 Bolts
Part Number	Misc RSL Assembly
005BG0024279	Fixture, RSL Assy-Retractor Pin Installation
005BG0049280	Fixture, RSL Assy-Pin Guide Bushings
005BG0049281	Fixture, RSL Assy-Seal Installation, RSL1500

ENERPAC 
www.enerpac.com