

# RM8 Relay Extension Module



## Overview

Turn your PQube 3® into a powerful controller, and command the shedding of loads to protect your main distribution circuit from tripping.

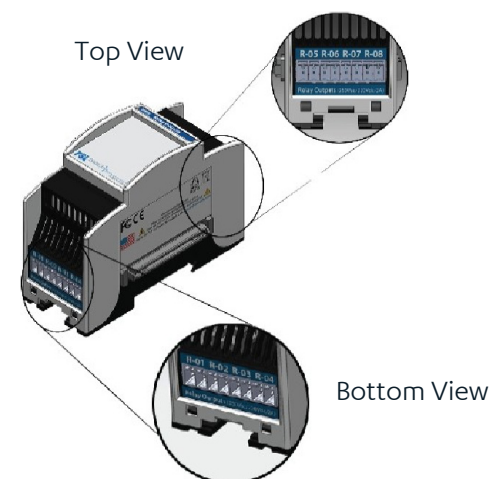
Snaps easily to your PQube 3/PQube 3e and has 8 fully programmable relays\*

Customize your load shedding scheme, by assigning incremental thresholds, or by applying the scheme to protect up to 4 circuits. The PQube 3 Power Analyzer measures, reports in real time and records the power, VA, VARS and power factor of all the circuits monitored.

\* Note: The RM8 module needs to be declared in the PQube 3 configuration.

## Features

- Compact module, plugs-in to the left of the PQube 3/PQube 3e
- Auto detected by the PQube 3
- Provides 8 individually programmable relays (signal relays)
- Allows load shedding to limit power consumption (Watts or VA)
- Incremental Multi-level shedding, up to 8 thresholds
- Monitors up to 4 circuits



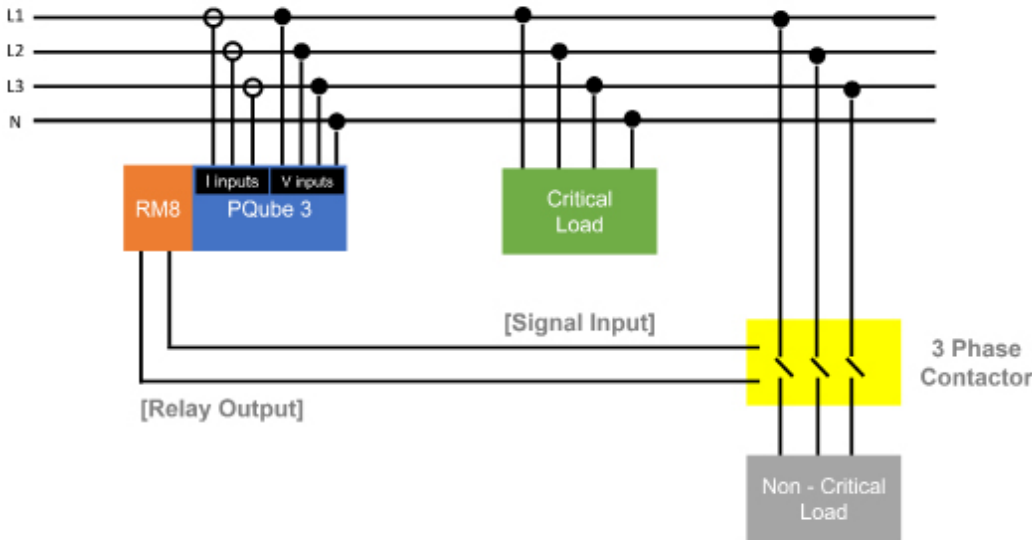
**SPECIFICATIONS**

RELAY MODULES	
Number of Relays	8 relays, 4 on each side of module
Type of Relays	Latching relays
Dimensions (LxWxH)	3.52 X 1.43 X 3.08 in (8.950 X 3.632 X 7.824cm) Width includes interface connector: 1.78 in (4.536 cm)
Installation	DIN rail mountable
Rating	2 Amps max. at max, 60Vdc/30Vac
Operate Time	< 20ms
Default State	User defined: Normally Closed (NC) or Normally Open (NO)

PROGRAMMING	
Trigger Parameter	On Active Power (Watts) or Apparent Power (VA) – parameters are averaged over 1 sec
Trigger Condition	Over/under a configurable threshold
Operation	The relay activates upon exceeding the threshold condition, remains active as long as the condition persists

**WIRING**

For Monitoring With One 3-Phase Circuit



**Contact us**

info@powerside.com  
powerside.com



**Canada**  
7850 Trans-Canada Highway  
Saint-Laurent (QC) H4T 1A5  
1 (877) 333-8392

**United States**  
980 Atlantic Ave  
Alameda (CA) 94501  
1 (888) 736-4347