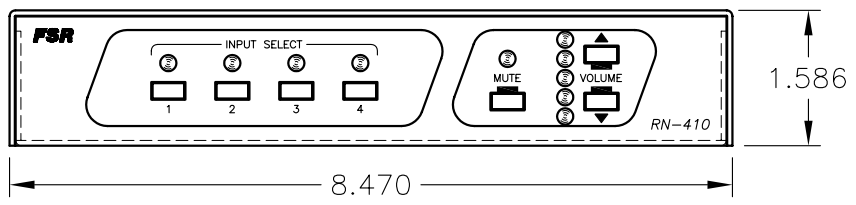
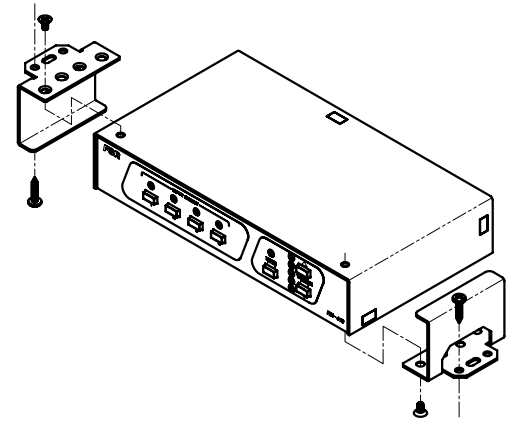


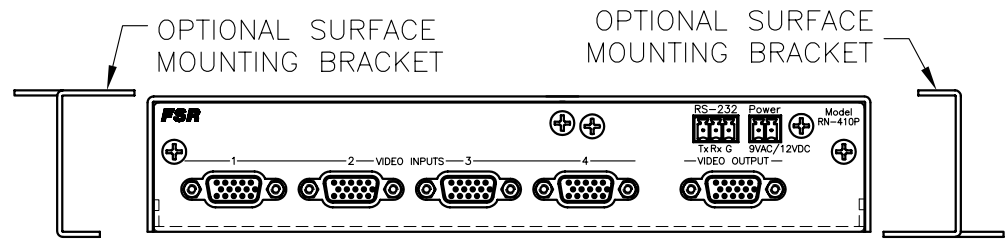
4 3 2 1



UNDER-SURFACE MOUNTING ORIENTATION



TOP-SURFACE MOUNTING ORIENTATION

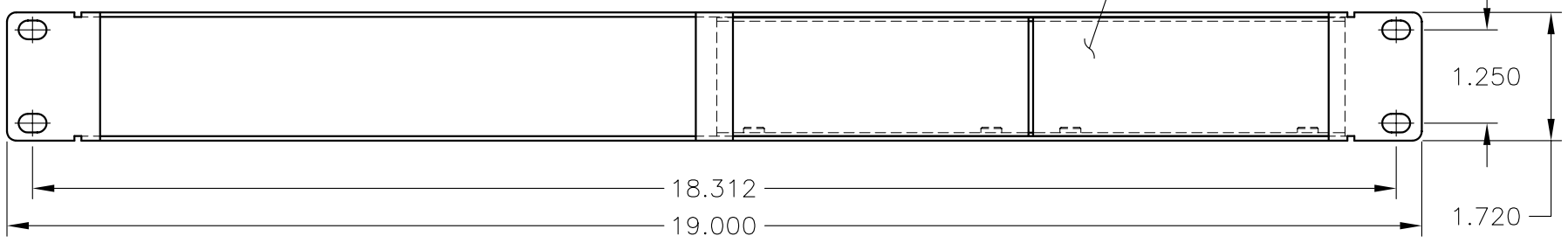


UNDER-SURFACE MOUNTING ORIENTATION

TOP-SURFACE MOUNTING ORIENTATION

CHASSIS DEPTH INSIDE RACK IS 4.75 IN.

OPTIONAL BLANK SPACE FILLER



PROVIDED RACK MOUNT KIT

C

C

B

B

A

A

4 3 2 1

FSR <i>INC.</i> 244 BERGEN BLVD. W. PATERSON, NJ 07424 TEL. (973) 785-4347 FAX (973) 785-3318	TITLE:	COMPUTER SWITCHER RN-410P
	DRAWN BY:	JRE DATE: 10/22/07 REV: 01
	DWG#:	RN-410P PAGE: 1 OF 1 SCALE: 1:2.25