

D

C

B

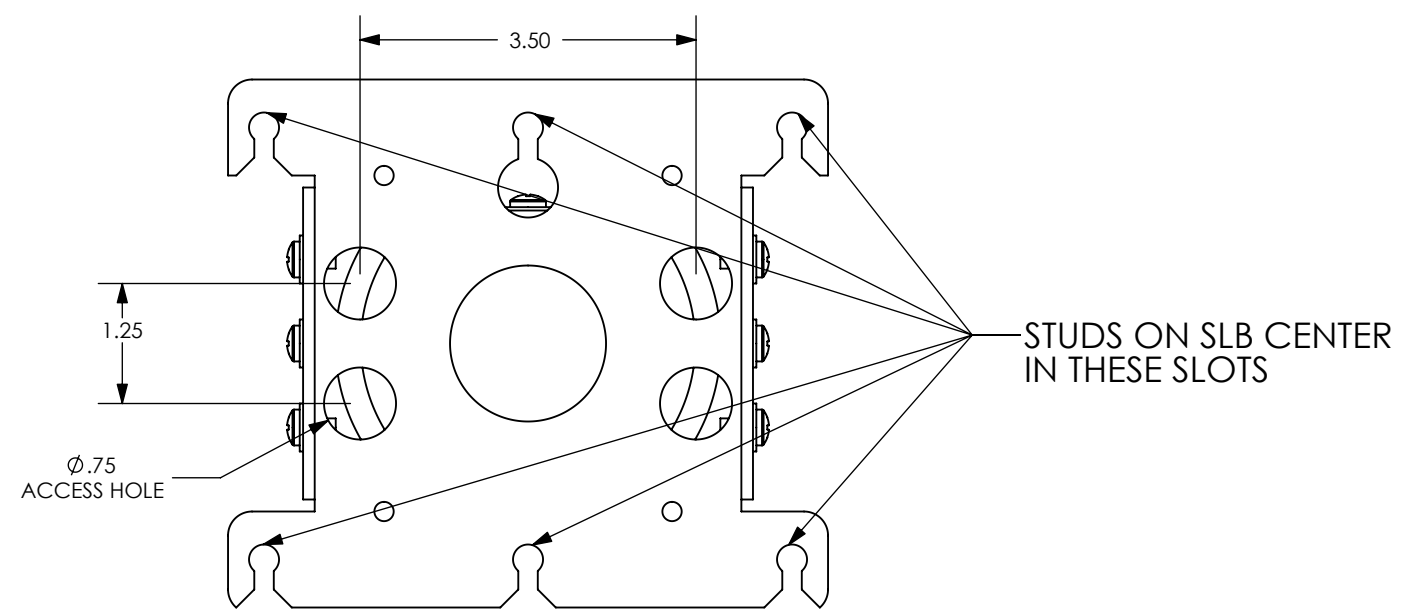
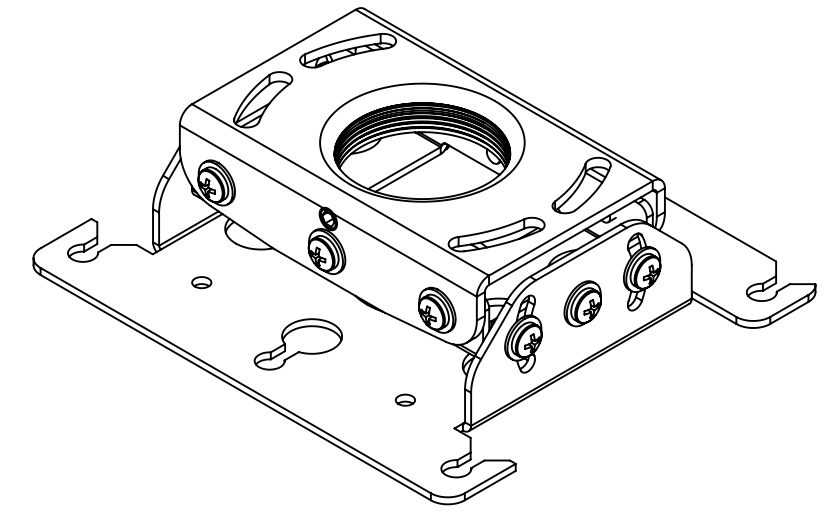
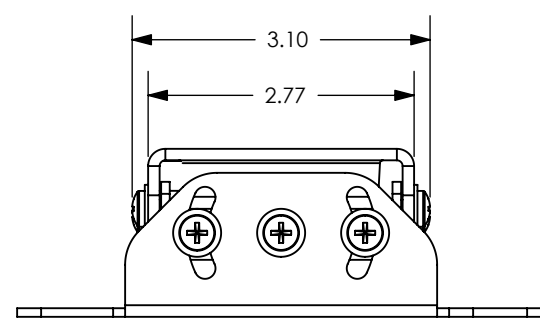
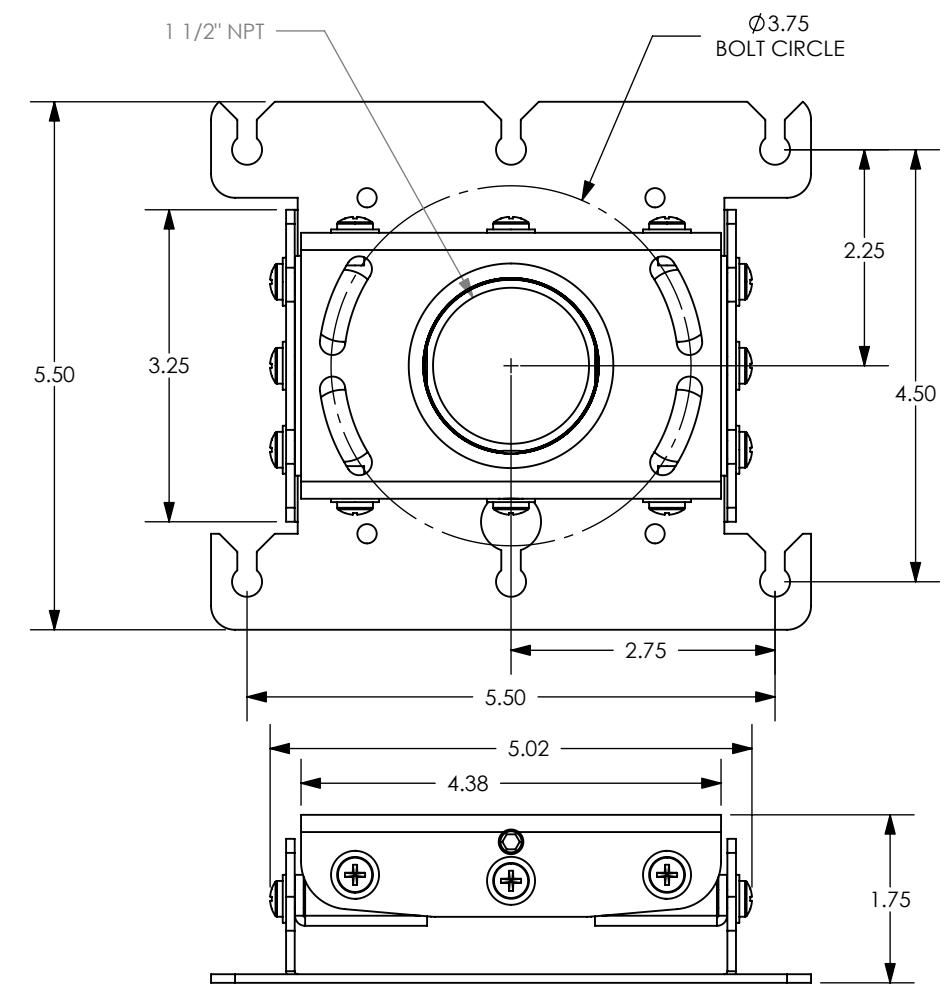
A

D

C

B

A



NOTE: CUSTOM INTERAFCE BRACKET NOT SHOWN. THE CUSTOM INTERFACE BRACKET NEEDED FOR YOUR PROJECTOR WILL ADD DEPTH TO SINTALLATION AND WILL AFFECT LOCATION OF PROJECTOR ON MOUNT.

SEE SLB-XXXX DRAWING ALSO.



**CHIEF MANUFACTURING INC.**  
**MOUNT ORDER NUMBER IS RPA-000**  
**PHONE: 1-800-582-6480**

SHEET SCALE = 1:2

THE INFORMATION AND DESIGNS CONTAINED IN THIS DRAWING ARE CONFIDENTIAL AND THE PROPRIETARY PROPERTY OF CHIEF MFG., INC. NEITHER THIS DESIGN NOR ANY INFORMATION CONTAINED IN THIS DRAWING MAY BE REPRODUCED OR DISCLOSED TO OTHERS WITHOUT THE EXPRESS WRITTEN CONSENT OF CHIEF MFG., INC.



TITLE  
**CUSTOMER PRINT**  
**RPA-000**

SIZE DWG. NO.  
**B RPA-000**