



**RSA5600RACK
Rackmount Kit
Installation Instructions**

www.tek.com



071-3468-01

Copyright © Tektronix. All rights reserved. Licensed software products are owned by Tektronix or its subsidiaries or suppliers, and are protected by national copyright laws and international treaty provisions.

Tektronix products are covered by U.S. and foreign patents, issued and pending. Information in this publication supersedes that in all previously published material. Specifications and price change privileges reserved.

TEKTRONIX and TEK are registered trademarks of Tektronix, Inc.

Contacting Tektronix

Tektronix, Inc.
14150 SW Karl Braun Drive
P.O. Box 500
Beaverton, OR 97077
USA

For product information, sales, service, and technical support:

- In North America, call 1-800-833-9200.
- Worldwide, visit www.tek.com to find contacts in your area.

General safety summary

Review the following safety precautions to avoid injury and prevent damage to this product or any products connected to it.

To avoid potential hazards, use this product only as specified.

Only qualified personnel should perform service procedures.

To avoid damage to equipment and personal injury

Do not exceed rackmount weight ratings. Use this rackmount kit only for RSA503A, RSA507A, RSA603A, and RSA607A instruments.

Use proper hardware. Do not interchange hardware. Use only specified mounting screws.

Use care when installing and removing product from rack. Avoid pinching fingers and hands when installing and removing. Do not force the product when installing. Gently pull the product out when removing.

Use only with specified products. Do not use rackmount on products for which it was not intended. Refer to individual product manuals for details or contact Tektronix Customer Service when in doubt.

Contacting Tektronix

Tektronix, Inc.
14150 SW Karl Braun Drive
P.O. Box 500
Beaverton, OR 97077
USA

For product information, sales, service, and technical support:

In North America, call 1-800-833-9200.

Worldwide, visit www.tek.com to find contacts in your area.

Kit description

The rackmount kit is a collection of parts that, once installed, configures the following Tektronix Spectrum Analyzer products for mounting into a standard 19-inch equipment rack.

- Products**
- RSA503A
 - RSA507A
 - RSA513A
 - RSA518A
 - RSA603A
 - RSA607A

- Required equipment**
- Phillips #2 screwdriver
 - 11/32 socket or nut driver
 - Torx T-15
 - Torx T-20

Kit parts list

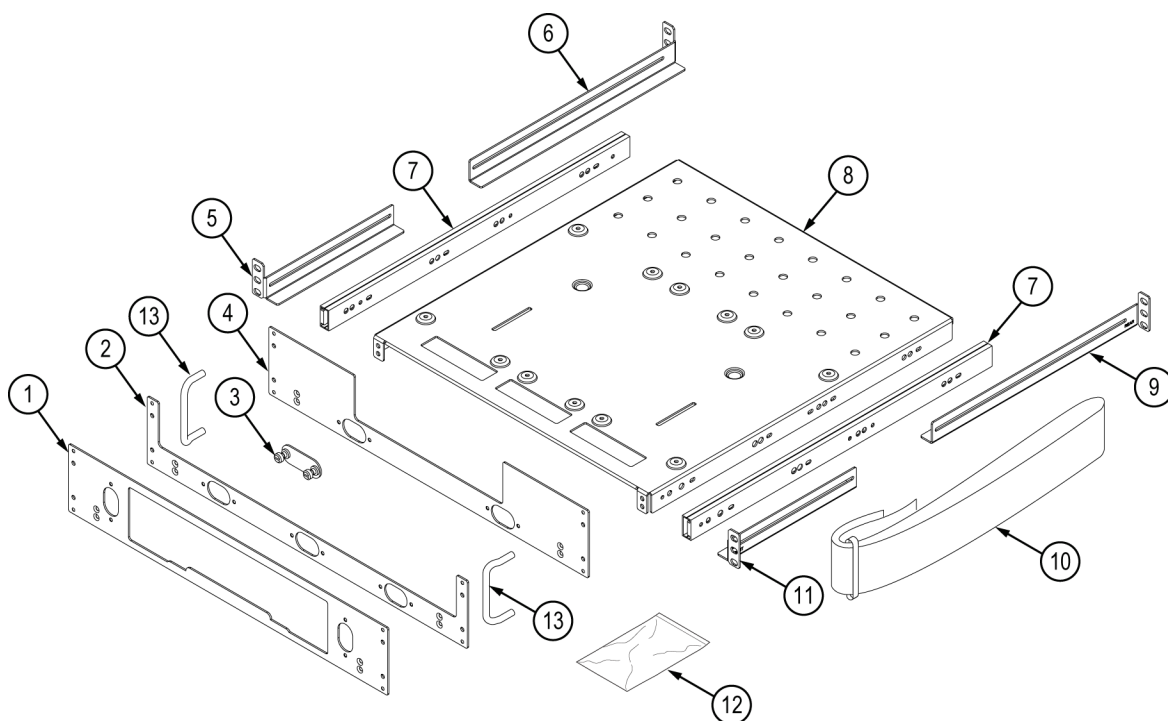
The following table lists the parts contained in this kit. Use the associated figure to identify the parts and to assemble the kit. (See Figure 1.)

Table 1: RSA5600RACK Rackmount kit parts list

Item no.	Qty.	Description	Tektronix part number
1	1	BRACKET, FACEPLATE, HANDHELD	407-5950-00
2	1	BRACKET, FACEPLATE, BENCH, ONE UNIT	407-5951-00
3	1	BRACKET, FACEPLATE, COVER, CABLE PASS-THRU	407-5953-00
4	1	BRACKET, FACEPLATE, BENCH, TWO UNIT	407-5952-00
5	1	BRACKET, RACK, LEFT, FRONT	407-5970-00
6	1	BRACKET, RACK, LEFT, BACK	407-5969-00
7	2	RACK, SLIDE, BALL BEARING, 18 INCHES LONG	351-1153-00
8	1	BRACKET, BASE, RACK KIT	407-5949-00
9	1	BRACKET, RACK, RIGHT, BACK	407-5971-00
10	1	Strap for securing RSA500	—

Table 1: RSA5600RACK Rackmount kit parts list , (cont.)

Item no.	Qty.	Description	Tektronix part number
11	1	BRACKET, RACK, RIGHT, FRONT	407-5972-00
12	1 bag	Bag of screws and nuts	—



3468-007

Figure 1: Rackmount kit assembly

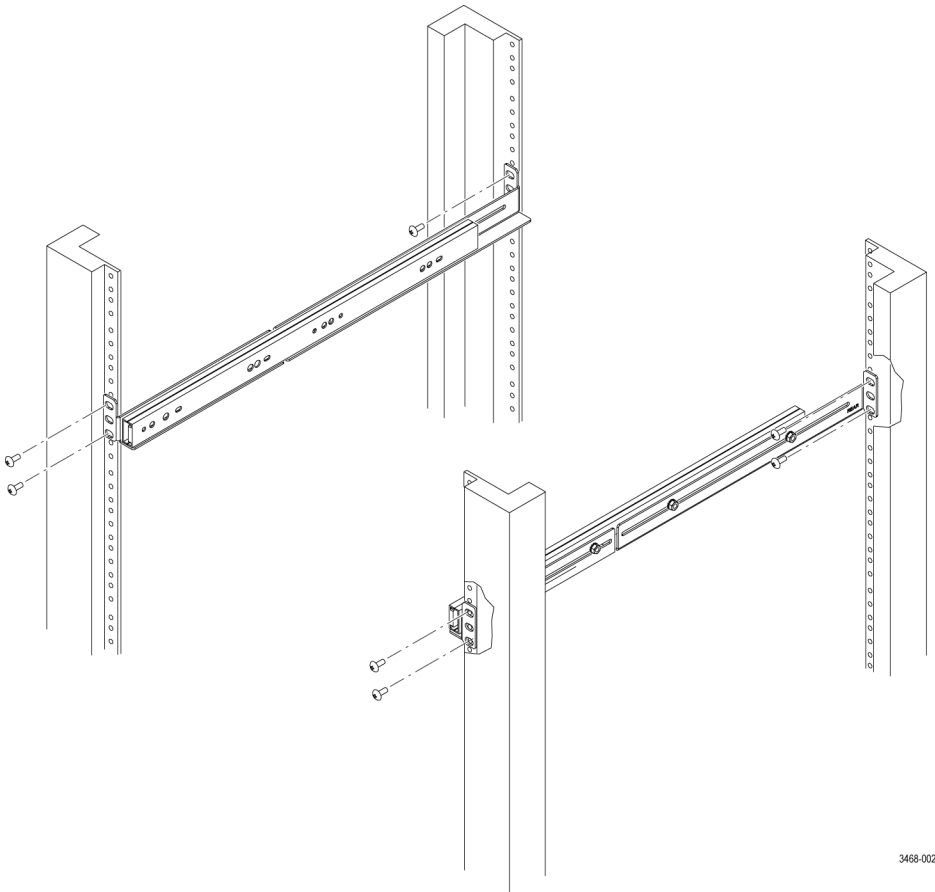
Installation

For all products being installed

This rack frame comes completely assembled with the façade and closure plate in place. Use the following procedure and refer to the illustration to assemble the rackmount hardware and install the instrument into the rack. (See Figure 1.)

1. Lay out the right front (item 11) and right rear (item 9) brackets onto a table. Imagine you are facing the rack and align the brackets with the securing ears facing out.
2. Take one slide (item 7) and notice that each end has a rubber détente. One is a rectangle and one has three circles.
3. Place that slide into the right front and rear brackets, oriented so that the rectangular détente is closest to you and facing outward.

4. Repeat step 1 through 3 using the left front bracket (item 5) and left rear bracket (item 6).
5. Attach the slide to the right front bracket and the right rear bracket with four T-15 panhead screws and four 11/32 kep nuts. Place the nuts on the outside of the bracket. Set the assembled slide and bracket aside.
6. Repeat step 5 for the left front and the left rear brackets.
7. Place the slide-bracket assemblies into the rack or cabinet as follows. Once assembled, this will be a 2U configuration. You will need 1U of free space above the slide-bracket assembly.
 - a. Attach the right slide-bracket assembly into the right side of the rack using four truss head screws. Place one screw in the top hole and one screw in the bottom hole on each end of the bracket and hand tighten.
 - b. Attach the left slide-bracket assembly into the left side of the rack using four truss head screws. Place one screw in the top hole and one screw in the bottom hole on each end of the bracket and hand tighten.



3468-002

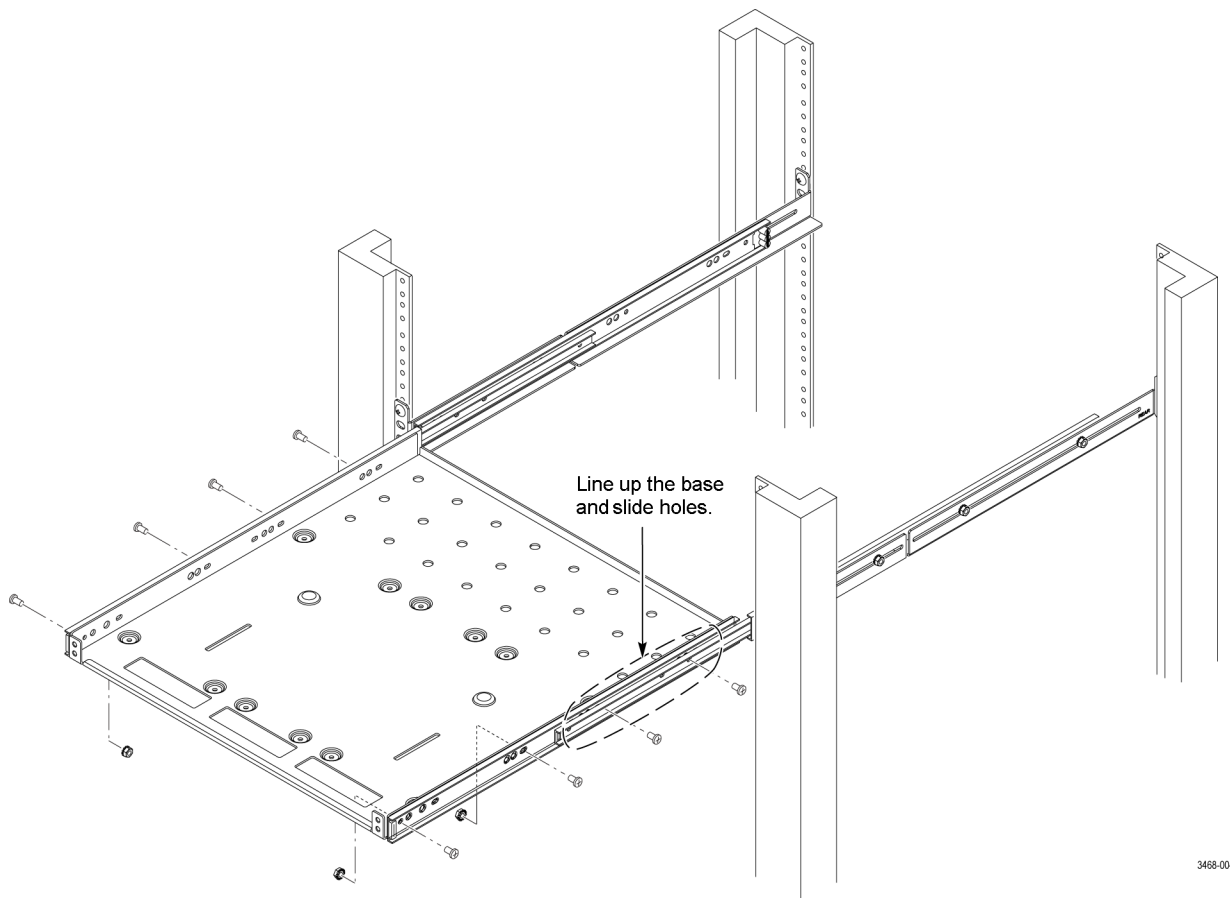
For RSA500A series products

1. Install the base bracket (item 8) into the rack, flange side up and with the three large vent holes closest to you.
2. Secure the base bracket to the slides as follows using eight T-15 panhead screws and eight 11/32 kep nuts (4 per side).



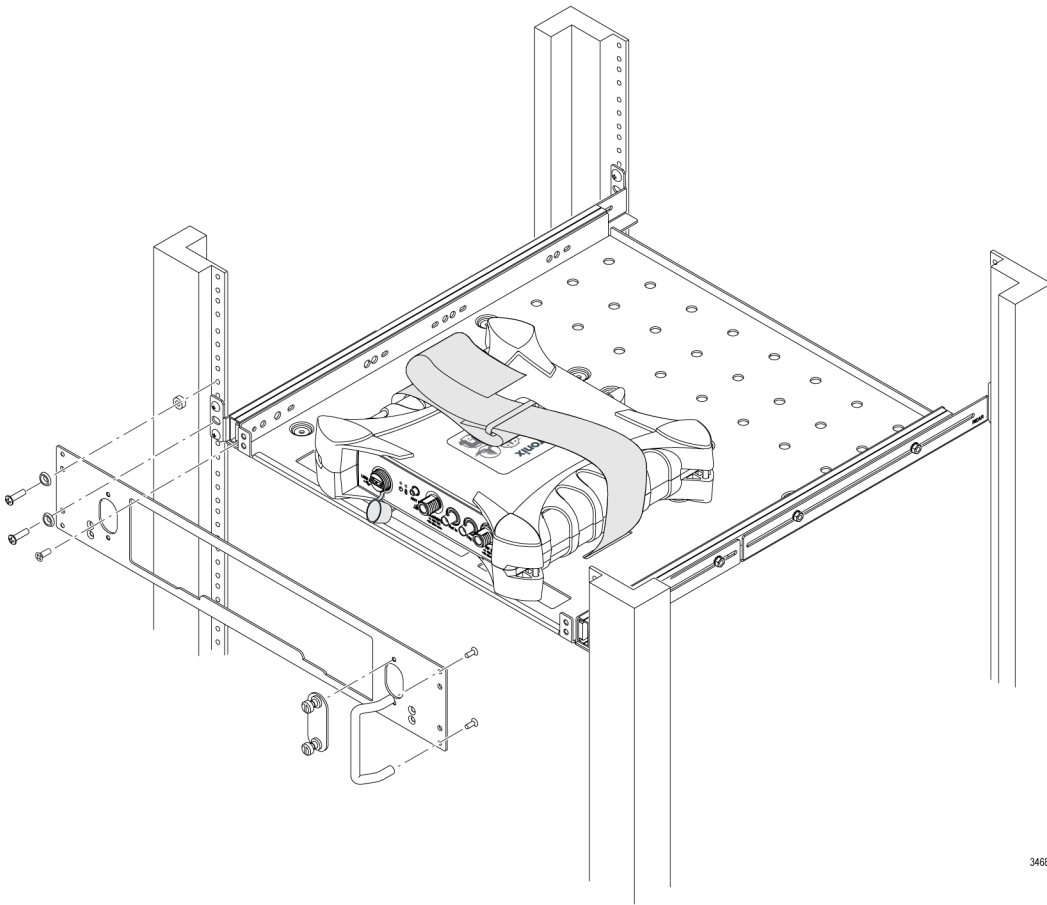
WARNING. *To prevent the base bracket falling out and causing injury, secure the screws and nuts in the following order. This will prevent it from falling out before it is completely secured.*

- a. Secure the first two screws and nuts, one set on each side, in the first holes closest to you. Ensure that the nut is on the inside of the base bracket.
- b. Slide the base bracket toward you and secure the second two screws and nuts into the second set of holes. Ensure that the nut is on the inside of the base bracket.
- c. Slide the base bracket toward you and secure the second two screws and nuts into the second set of holes. Ensure that the nut is on the inside of the base bracket.
- d. Slide the base bracket toward you and secure the third two screws and nuts into the third set of holes. Ensure that the nut is on the inside of the base bracket.
- e. Slide the base bracket toward you and secure the fourth two screws and nuts into the fourth set of holes. Ensure that the nut is on the inside of the base bracket.



3. Secure the faceplate (item 1) to the front of the base bracket (item 8) using four 8/32 flathead screws, two on each side.
4. Place the RSA500 into the rack and push the instrument to the front so that it is flush with the faceplate (item 1).
5. Feed the securing strap (item 10) down and under the instrument and then back up through the slot on the other side.
6. Feed the strap through the metal buckle and tighten and secure. Ensure that the metal buckle is on the side of the instrument; otherwise, you will not be able to secure the hooks and loops.
7. Secure one handle (item 13) on each side of the faceplate (item 1) using two 8/32 flathead screws.

- 8.** You can now run cables through the two cable pass-through openings in the faceplate. Whichever pass-through opening(s) you do not use, attach the pass-through closure(s) (item 3) with the attached thumbscrews.
- 9.** Lock the assembled rackmount into a closed position as follows. This prevents it from sliding out.
 - a.** Flathead 10/32 screw, washer, and spacer.
 - b.** Slide the rack out slightly.
 - c.** Place a washer on each of the 10/32 flathead screws and then place them into the four holes in the faceplate near the handles, two on each side.
 - d.** Place a spacer on the inside of the two top screws
 - e.** Use a Phillips screwdriver to secure the faceplate to the rack or cabinet.



3468-006

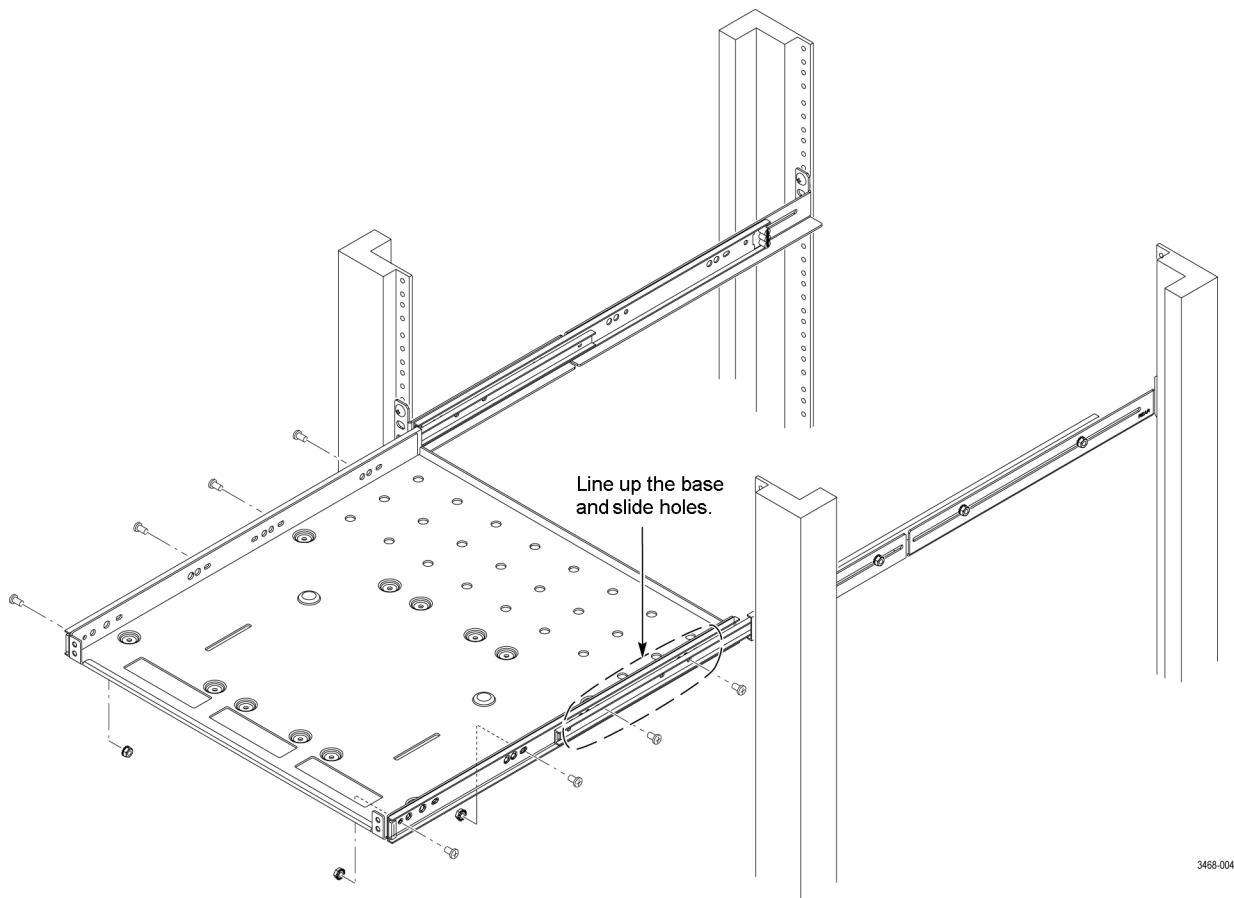
For RSA600A series products

1. Install the base bracket (item 8) into the rack, flange side down and with the three large vent holes closest to you.
2. Secure the base bracket to the slides as follows using eight 8/32 T-15 panhead screws and eight 11/32 kep nuts (4 per side).



WARNING. *To prevent the base bracket falling out and causing injury, secure the screws and nuts in the following order. This will prevent it from falling out before it is completely secured.*

- a. Secure the first two screws and nuts, one set on each side, in the first holes closest to you. Ensure that the nut is on the inside of the base bracket.
- b. Slide the base bracket toward you and secure the second two screws and nuts into the second set of holes. Ensure that the nut is on the inside of the base bracket.
- c. Slide the base bracket toward you and secure the second two screws and nuts into the second set of holes. Ensure that the nut is on the inside of the base bracket.
- d. Slide the base bracket toward you and secure the third two screws and nuts into the third set of holes. Ensure that the nut is on the inside of the base bracket.
- e. Slide the base bracket toward you and secure the fourth two screws and nuts into the fourth set of holes. Ensure that the nut is on the inside of the base bracket.



3. Determine if you are installing one or two instruments, and then do one of the following.
 - a. If you are installing one instrument, secure the faceplate (item 4) to the front of the base bracket (item 8) using four 8/32 flathead screws, two on each side.
 - b. If you are installing two instruments, secure the faceplate (item 2) to the front of the base bracket (item 8) using four 8/32 flathead screws, two on each side.
4. Remove the four feet from the RSA(s) using a T-20 screwdriver.
5. Place the instrument(s) into the rack. If you are installing one instrument, place it in the center of the base bracket. If you are installing two instruments, place them side by side on the base bracket.
6. Using four 8/32 T-15 panhead screws per instrument, secure the instrument(s) to the base bracket from below.
7. Attach one handle (item 13) on each side of the faceplate (item 2 or 4) using two 8/32 flathead screws.

- 8.** You can now run cables through the cable pass-through openings in the faceplate. Whichever pass-through opening(s) you do not use, attach the pass-through closure(s) (item 3) with the attached thumbscrews.
- 9.** Lock the assembled rackmount into a closed position as follows. This prevents it from sliding out.
 - a.** Flathead 10/32 screw, washer, and spacer.
 - b.** Slide the rack out slightly.
 - c.** Place a washer on each of the 10/32 flathead screws and then place them into the four holes in the faceplate near the handles, two on each side.
 - d.** Place a spacer on the inside of the two top screws
 - e.** Use a Phillips screwdriver to secure the faceplate to the rack or cabinet.

