



More information on the website
radwag.com/en/info,w1,EMU

PA-04/H Automatic Feeder



Datasheet

Protection class	IP 34
Diameter of fed objects	$\varnothing 3 \div \varnothing 25$ mm
Feeder diameter	$\varnothing 180$ mm
Throughput	1 ÷ 15 pcs/min
Controlling	external, from balance level
Communication interface	
Communication interface	RS232
Electrical parameters	
Power supply	100-240 V AC 50/60 Hz
Power consumption	95 W
Environmental conditions	
Operating temperature	+5 ÷ +40 °C
Physical parameters	
Device dimensions	229×229×303 mm
Net weight	17 kg

Physical parameters

Gross weight

26 kg

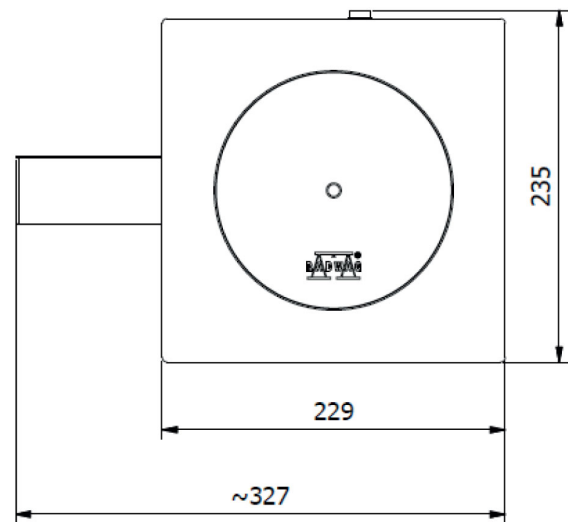
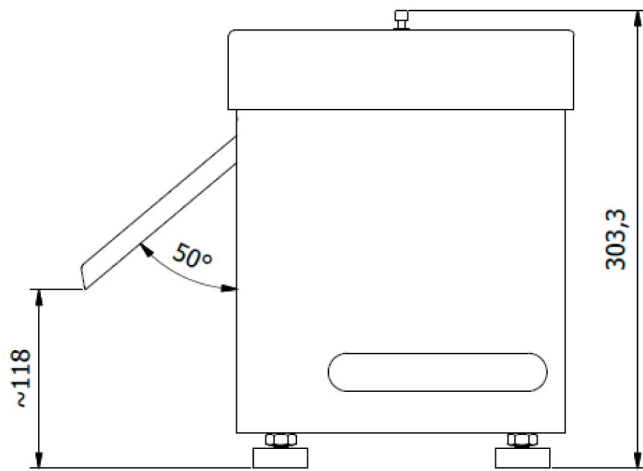


Compatible with

Antivibration Tables for Laboratory Balances

XA 4Y PLUS Analytical Balance

Device dimensions



[PA-04/H Automatic Feeder](#)