



More information on the website
radwag.com/en/info,w1,W3Y

PSW/DUAL Professional Dual Weighing Workstation



Datasheet

Physical parameters	
Net weight	table 140 + stone 80
Gross weight	252 kg
Length	1350 mm
Width	750 mm
Height	1100 mm



Compatible with

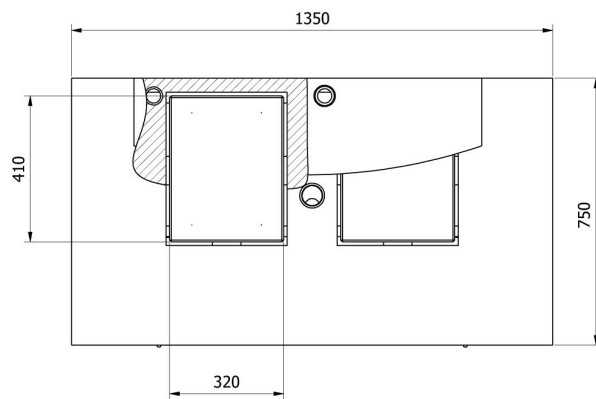
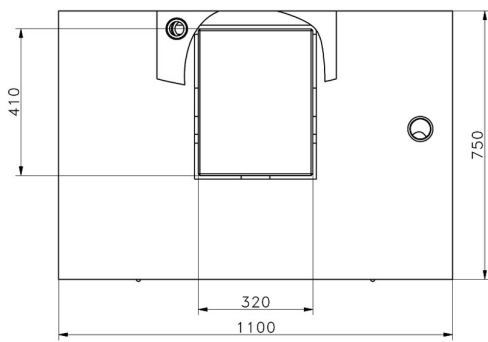
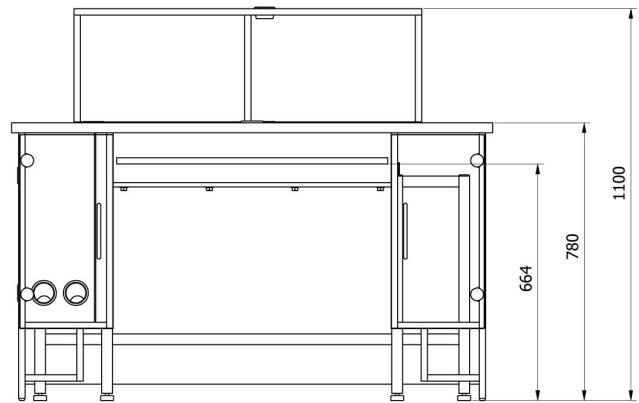
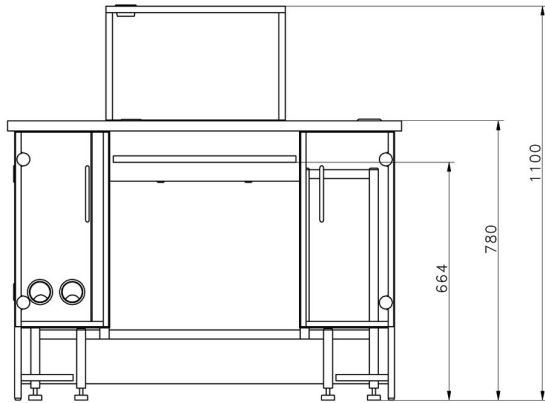
MAS1 Modules
 XA 5.M.A.P Microbalance
 Microbalance for Pipette Calibration MYA 5Y.P
 Microbalance for Filters MYA 5Y.F
 XA 4Y PLUS Analytical Balance
 AS X2 PLUS Analytical Balance
 XA 5.M Microbalance
 MPS Modules
 MYA 4Y Microbalance

Microbalance for Pipette Calibration MYA 4Y.P
 XA 4Y.M.A PLUS Microbalance
 MYA 5Y Microbalance
 XA 4Y.A PLUS Analytical Balance
 Microbalance for Filters MYA 4Y.F
 AS R2 PLUS Analytical Balance
 Analytical Balance for Filters XA 4Y.F
 Microbalance for Filters MYA 4Y.F PLUS
 UYA.4Y.KO Manual Mass Comparator

MYA 4Y PLUS Microbalance
XA 4Y.M PLUS Microbalance
MAS Modules
Microbalance for Pipette Calibration XA 4Y.M.A.P PLUS

AS R1 PLUS Analytical Balances
XA 6.4Y.M.A.S PLUS Microbalance
Microbalance for Pipette Calibration MYA 4Y.P PLUS
XA 5Y.M.S Microbalance

Device dimensions



—SDKP

—SDKP DUAL