



More information on the website  
[radwag.com/en/info,w1,B5C](http://radwag.com/en/info,w1,B5C)

# PSW Professional Single Weighing Workstation



## Datasheet

Physical parameters	
Packaging dimensions	820×1160×890 mm
Net weight	table 110 + stone 40
Gross weight	182 kg
Length	1100 mm
Width	750 mm
Height	1100 mm



## Compatible with

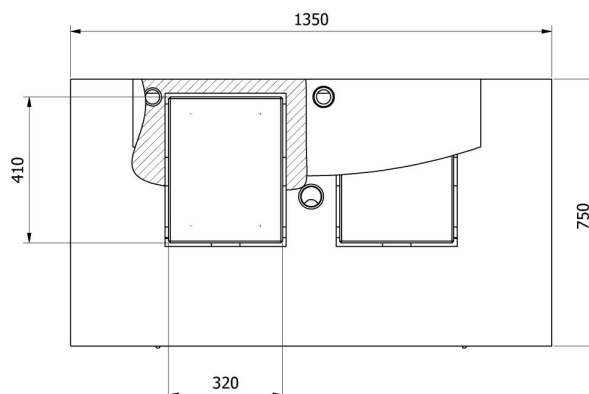
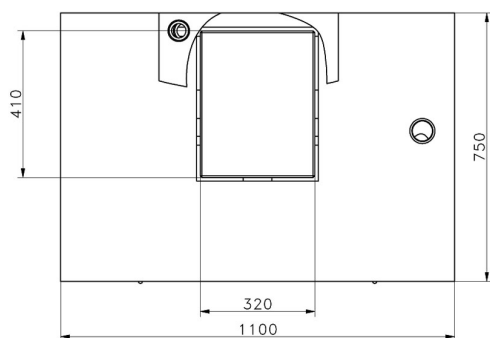
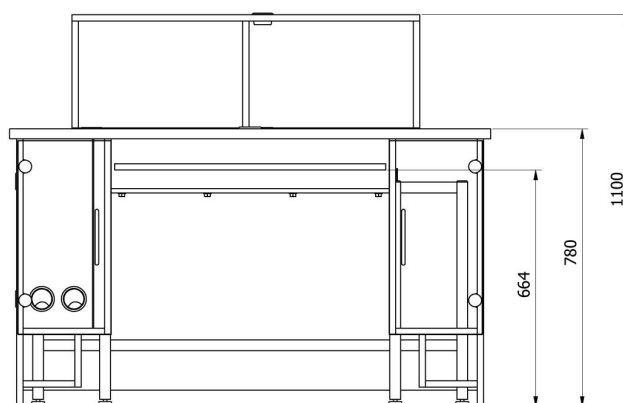
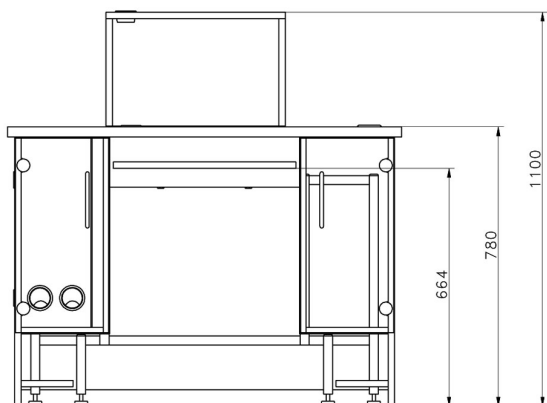
MAS1 Modules  
 XA 5.M.A.P Microbalance  
 Microbalance for Pipette Calibration MYA 5Y.P  
 Microbalance for Filters MYA 5Y.F  
 XA 4Y PLUS Analytical Balance  
 AS X2 PLUS Analytical Balance  
 XA 5.M Microbalance

Ultra-Microbalance for Filters UYA 4Y.F.A  
 XA 4Y.M.A PLUS Microbalance  
 UYA 4Y Ultra-Microbalance  
 MYA 5Y Microbalance  
 XA 4Y.A PLUS Analytical Balance  
 Microbalance for Filters MYA 4Y.F  
 AS R2 PLUS Analytical Balance

MPS Modules  
 MYA 4Y Microbalance  
 Ultra-Microbalance for Filters UYA 4Y.F.A PLUS  
 MYA 4Y PLUS Microbalance  
 XA 4Y.M PLUS Microbalance  
 MAS Modules  
 XA 5Y Analytical Balance  
 UYA 5Y Ultra-Microbalance  
 Microbalance for Pipette Calibration XA 4Y.M.A.P PLUS  
 Microbalance for Pipette Calibration MYA 4Y.P

UYA 4Y PLUS Ultra-Microbalance  
 Analytical Balance for Filters XA 4Y.F  
 Microbalance for Filters MYA 4Y.F PLUS  
 UYA.4Y.KO Manual Mass Comparator  
 AS R1 PLUS Analytical Balances  
 Ultra-Microbalance for Filters UYA 5Y.F  
 XA 6.4Y.M.A.S PLUS Microbalance  
 Microbalance for Pipette Calibration MYA 4Y.P PLUS  
 XA 5Y.M.S Microbalance

## Device dimensions



—SDKP

—SDKP DUAL