



# Weighing Tables and Workstations

Anti-vibration weighing workstations for precise weighing under laboratory and industrial conditions

# Weighing Tables and Workstations

## Granite Anti-Vibration Tables



### SAL/STONE/C

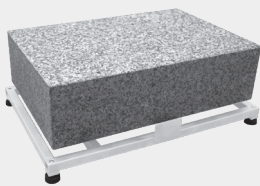
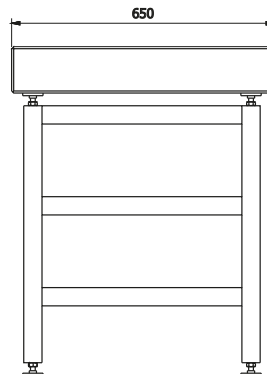
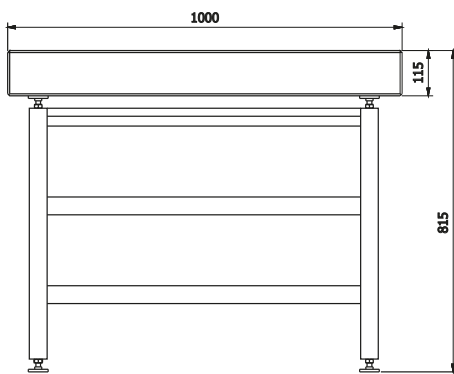
Granite table

The table has been designed to eliminate ground vibrations during the operation of laboratory equipment such as microbalances, analytical balances and others. The working part consists of a table and a stone separated by a vibration damper. The table is equipped with adjustable feet with rubber tips, facilitating table levelling on uneven surfaces. Stability and vibration damping properties, resulting from the significant weight, are the main advantages of the table. The large surface of the tabletop makes it possible to place several balances on it.

The structure of the SAL/STONE/C version is made of powder-coated steel, and in the case of the SAL/STONE/H version - of stainless steel.

### SAL/STONE/H

Stainless steel granite table



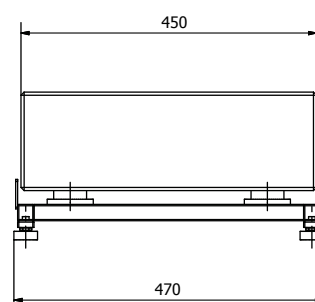
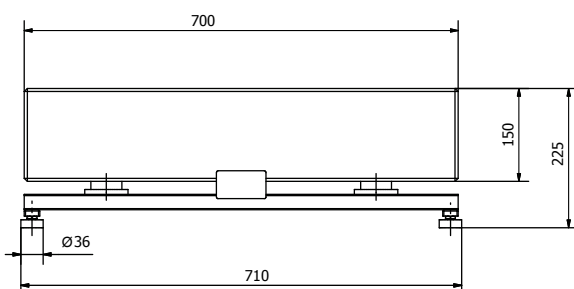
### SA/APP/C

Anti-vibration table for mass comparators

This anti-vibration table is intended for mass comparators. It is made of powder-coated steel and a massive granite plate placed on top. The table has a safety feature to prevent accidental slipping of the stone, as well as vibration dampening rubbers. Due to low construction, the need to lift large masses to a considerable height is reduced.

### SA/APP/H

Stainless steel anti-vibration table for mass comparators



# Weighing Tables and Workstations

## Professional Weighing Workstations



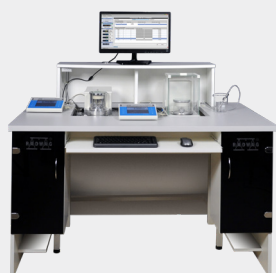
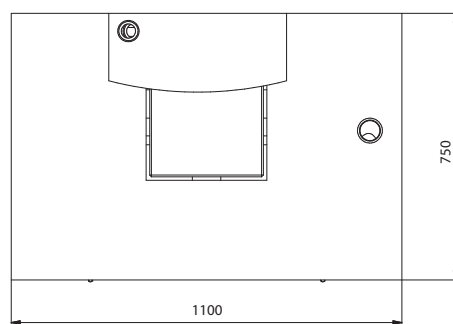
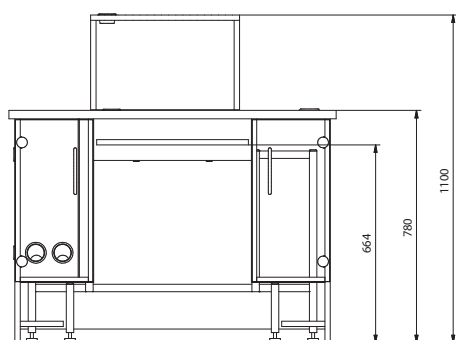
### PSW

#### Professional single weighing workstation

The professional weighing workstation is intended for microbalances and analytical balances. It is equipped with two lockers for a computer and an emergency UPS power supply or a power strip. The workstation also has a sliding shelf for a keyboard and a mouse.

It additionally features ventilation openings and a base for a monitor. The separated anti-vibration part provides protection against vibration, and the feet feature rubber tips to facilitate table levelling on uneven floors.

The structure of the workstation is made of steel, the top of stone, and the working part of MDF.

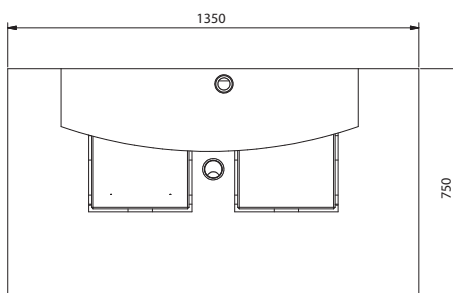
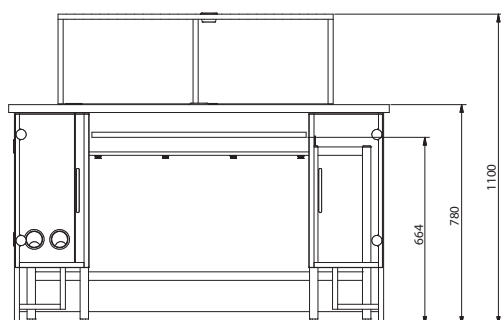


### PSW/DUAL

#### Professional dual weighing workstation

The dual weighing workstation is intended for microbalances and analytical balances. It is equipped with two lockers for a computer and an emergency UPS power supply or a power strip. The workstation also has a sliding shelf for a keyboard and a mouse. It additionally features ventilation openings and a base for a monitor. The separated anti-vibration part provides protection against vibration, and the feet feature rubber tips to facilitate table levelling on uneven floors.

The structure of the workstation is made of steel, the two tabletops that allow two balances to be used simultaneously are made of stone, and the working part of the tables is made of MDF.



# Weighing Tables and Workstations

## Standard Anti-Vibration Tables

### SAL/C PLUS

Anti-vibration table for PLUS series balances

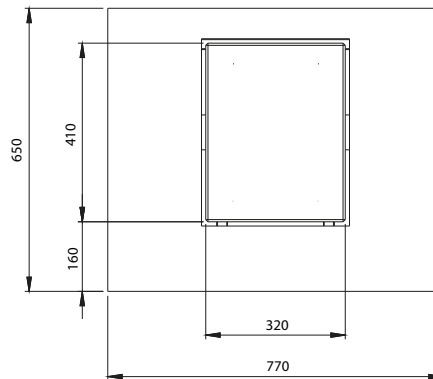
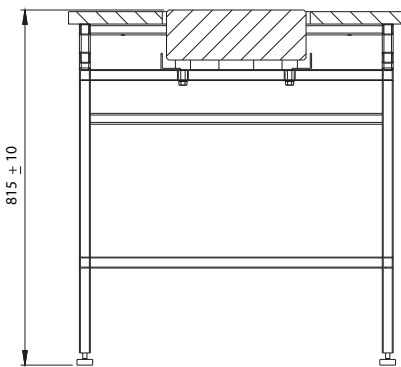


The anti-vibration table has been designed to eliminate floor vibrations during the operation of PLUS series laboratory balances. It consists of two separate constructions: the outer, designed to isolate the working part, and the inner. The working part includes a table and a stone separated by a vibration damper. The table features a stone top (located at the centre of the table) and adjustable feet with protective rubber tips, facilitating table levelling on uneven surfaces.

The structure of the SAL/R/C version is made of powder-coated steel, and the tabletop is made of MDF. In the case of the SAL/R/H version, the structure and the tabletop are made of acid-resistant stainless steel.

### SAL/H PLUS

Stainless laboratory anti-vibration table for PLUS series balances



### SAL/C

Laboratory anti-vibration table

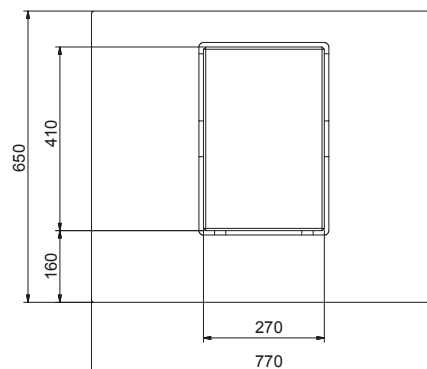
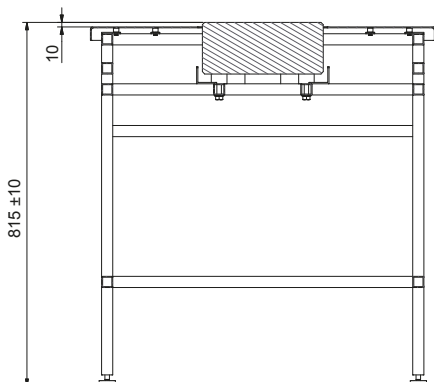


The anti-vibration table has been designed to eliminate ground vibrations during the operation of laboratory equipment such as microbalances, analytical balances and others. It consists of two separate constructions: the outer, designed to isolate the working part, and the inner. The working part includes a table and a stone separated by a vibration damper. The table features a stone top (located at the centre of the table) and adjustable feet with protective rubber tips, facilitating table levelling on uneven surfaces.

The structure of the SAL/C version is made of powder-coated steel, and the tabletop is made of MDF. In the case of the SAL/H version, the structure and the tabletop are made of acid-resistant stainless steel.

### SAL/H

Stainless steel laboratory anti-vibration table



# Weighing Tables and Workstations

## Standard Anti-Vibration Tables

### SAP/C

Industrial anti-vibration table

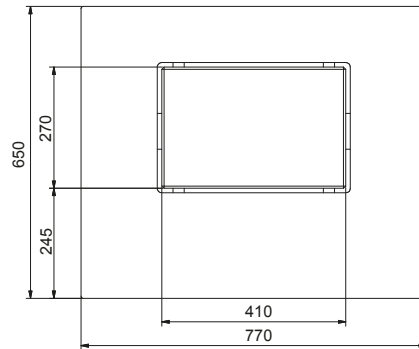
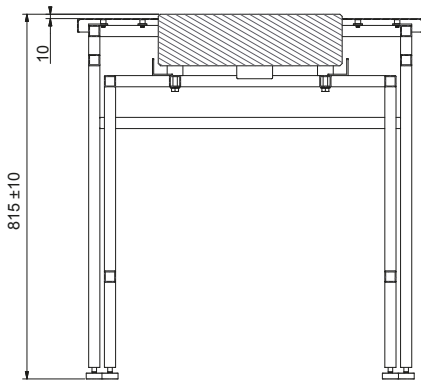


The anti-vibration table has been designed to eliminate floor vibrations during the operation of industrial scales. It consists of two separate constructions: the outer, designed to isolate the working part, and the inner. The working part includes a table and a stone separated by a vibration damper. The table features a large stone top and adjustable feet with protective rubber tips, facilitating table levelling on uneven surfaces.

The structure of the SAP/C version is made of powder-coated steel, and the tabletop is made of MDF. In the case of the SAP/H version, the structure and the tabletop are made of acid-resistant stainless steel.

### SAP/H

Stainless steel industrial anti-vibration table



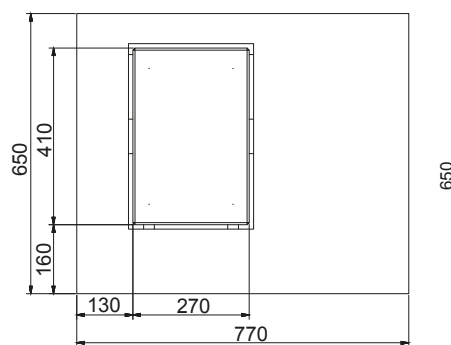
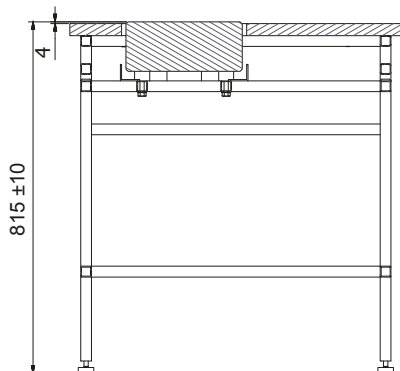
### SAL/T

Steel Anti-Vibration Table for PA-04/H 2 900 Automatic Feeder



The anti-vibration table has been designed to eliminate ground vibrations during the operation of automatic feeder. It consists of two separate constructions: the outer, designed to isolate the working part, and the inner. The working part includes a table and a stone separated by a vibration damper. The table features a stone top (located on the left side of the table) and adjustable feet with protective rubber tips, facilitating table levelling on uneven surfaces.

The structure of the SAL/L/C version is made of powder-coated steel, and the top is made of HPL board.



[www.radwag.com](http://www.radwag.com)