

RADWAG Balances & Scales

Toruńska 5 Street, 26-600 Radom
Phone: +48 48 386 60 00, Service: +48 (48) 386 64 16,
Fax: +48 48 385 00 10
e-mail: radom@radwag.pl
www.radwag.com



26.03.2019

ACCURACY AND PRECISION OF WATER CONTENT DETERMINATION

Each measurement (series of measurements) is characterised by accuracy and precision. Measurement accuracy is a rate of compliance between the water content determination result obtained using the moisture analyzer and a true value (ISO 5725-1:2002). The assessment of measurement accuracy requires information on the real value of the product water content. Such information can be obtained via validation of the testing method.

$$\delta = x_i - x_o$$

δ – error of water content determination
 x_i – result of water content determination
 x_o – real value of product water content

Measurement precision is a rate of compliance between the water content determination results obtained using one and the same device, for one and the same product, carried out in specified conditions by one and the same operator. Precision of the measurements depend on distribution of random errors and does not refer to the real value or other specified value (ISO 5725-1:2002). It is important to realise that the values obtained within one measurement series may differ greatly due to product heterogeneity. The measure of distribution of results of water content determination is standard deviation.

$$s = \sqrt{\frac{\sum_{i=1}^n (x_i - \bar{x})^2}{n - 1}}$$

s – standard deviation
 x_i – successive results of water content determination
 \bar{x} – arithmetic average value of a measurement series of water content determination
 n – series measurement quantity

MOISTURE ANALYZER OPERATION TEST

DRYING TEMPERATURE CONTROL

Concerns moisture analyzers of MA R, MA X2.A, MA X2.IC.A, MA 3Y series

There are two methods for checking whether the moisture analyzer operation is correct or not. The first method consists in making sure that the set analysis temperature, e.g. 105°C is really obtained by the heating system of the moisture analyzer. To check the above, it is necessary to compare indications of the control thermometer resting at the place of a disposable pan with the predetermined value.

$$\delta_T = T_i - T_o$$

δ_T – error of measurement of the drying temperature

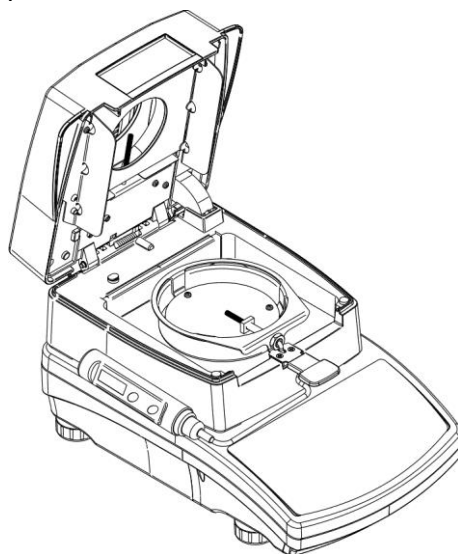
T_i – value of the temperature measured using the GT105k-12/Z control thermometer

T_o – value of the predetermined temperature (the drying temperature)

It must be assumed that the difference between the predetermined temperature value and the value measured using the control thermometer is $\pm 3^\circ\text{C}$ maximum. Positive result of the drying temperature control does not mean that the product analysis will be accurate and precise. Accuracy and precision is guaranteed by optimization of the drying parameters wherein the specific product features are referred to (structure type, colour, susceptibility to radiation absorption).

PROCEDURE

Procedure for verification of the drying temperature is to be found in the user manual of each moisture analyzer. The drawing presents control thermometer during the measurement.



SODIUM CHLORIDE

AS A REFERENCE MATERIAL IN WATER CONTENT DETERMINATION

Concerns moisture analyzers of MA R, MA X2.A, MA X2.IC.A, MA 3Y, PMV series

The second method of verification of moisture analyzer operation consists in drying of substance of known moisture / dry mass content. Such substance is sodium chloride (NaCl) of concentration of 10 % ± 0.5 %. It is colourless, clear liquid with the density of 1.07 g/cm³.

DRYING ACCURACY

It is assumed that if the heating component of a moisture analyzer operates correctly then as a result of drying of the reference substance (NaCl), it should be possible to provide dry mass content accordant with the certified value.

$$\delta_{MC} = MC_i - MC_{REF}$$

$$\delta_{DM} = DM_i - DM_{REF}$$

δ_{MC} – moisture content measurement error

δ_{DM} – dry mass content measurement error

MC_i – moisture content result obtained during drying of the reference substance (moisture analyzer)

MC_{REF} – certified moisture content of the reference substance

DM_i – the result of dry mass content of the reference substance (moisture analyzer)

DM_{REF} – certified value of dry mass content of the reference substance

MEASUREMENT PRECISION

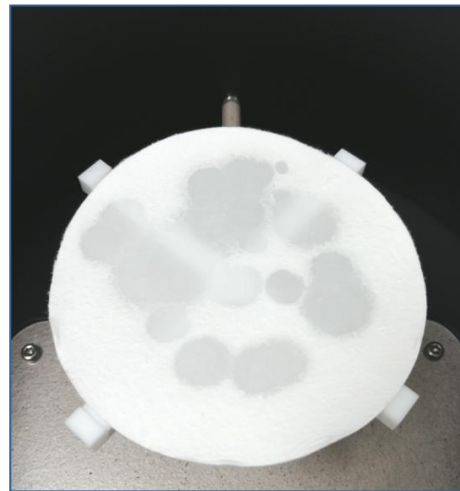
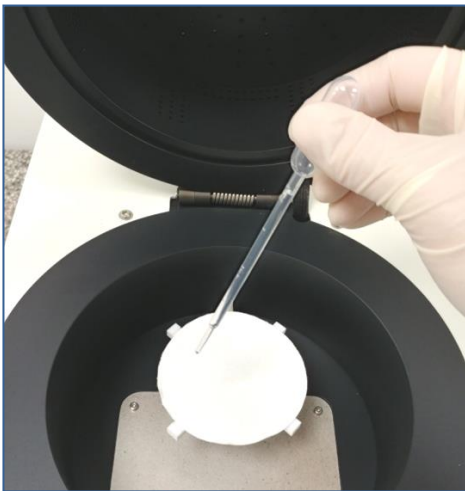
The reference substance (NaCl) may be used also for assessment of precision of measurement carried out using the moisture analyzer. Difference between the results of dry mass content of few measurements carried out at the same time and in the same conditions is the measure of the measurement precision. It may be expressed by standard deviation or maximum range between the measurements.

SODIUM CHLORIDE MEASURING PROCEDURE

1. Prepare the moisture analyzer for operation and set the following drying parameters

MA R, MA X2.A, MA X2.IC.A, MA 3Y	PMV
a. Drying temperature: 105°C	a. Product temperature: 100°C
b. Drying profile: Standard	b. Power: 100 %
c. Finish mode: Auto 2	c. Drying profile: Standard
d. Unit: %D	d. Finish mode: Auto 2
	e. Unit: %D

2. Mix the reference substance (NaCl)
3. Load the weighing pan with a glass fibre filter
4. Start the drying procedure (for detailed information read the user manual)
5. When the moisture analyzer displays message „Prepare sample” – take ca. 1 g of sodium chloride from the container and dose it onto the filter surface. Spread the sample drop by drop over the whole filter surface.



6. Close the drying chamber lid. The drying process starts automatically.
7. Upon drying process completion read the weighing result from the display of the moisture analyzer. If the analysis result is comprised within 10 % \pm 0.5 % range then the moisture analyzer operates correctly.
8. In order to determine precision, repeat the drying procedure 6 times, each time apply a new glass fibre filter.